



ZHEJIANG HAPPY PUMP INDUSTRY CO., LTD

Address: Dayangcheng Industrial Zone, Daxi, Wenling, Zhejiang, China.

PC: 317525

Email: admin@happypump.com

Tel: +86-576-86305888

Fax: +86-576-86338978

www.happypump.com

Note: this directory all series of products, there may be errors between data and actual, please refer to our actual product.
Are subject to change without prior notice.



2020

ZHEJIANG HAPPY PUMP
INDUSTRY CO., LTD

www.happypump.com



**THE FOUNDATION
OF LIFE** www.happypump.com

THE FOUNDATION OF LIFE

Zhejiang Happy Pump Industry Co.,Ltd
www.happypump.com



The foundation of life

55,000 m²

Division covers an area of
55,000 square meters

2,500,000 sets

Annual sales reached 2.5 million units

70,000,000 USD

Annual sales reached more than 70
million dollars

ABOUT US

1997 - 2020 Zhejiang Happy Pump Industry Co.,Ltd

Zhejiang Happy Pump Industry Co.,Ltd is a professional share-issuing enterprise in the production of water pumps, and located in Daxi Town, Wenling Taizhou City, Zhejiang of China, which is well known as "Hometown of Water Pump". Happy Pump was founded in 1997, with 24 years accumulation of middle and high-grade pump production and management experience. He always be with the good faith quality and initiative spirit of "Continuous Innovation" leading in the industry, being famous in home and abroad, brimming with confidence towards a higher goal of "new scale, intensive and professional". He covers an area of 55000 square meters, construction area of 110000 square meters, employs 800 employees including 100 professional and technical personnel, and has achieved sales volume of 2.5 million sets, and sales amount of 70 million dollars in last year. Happy pump sale exported to more than 150 countries and regions that continuously improve his global brand reputation.

Happy consists of metal work, motor, rotor and assembly workshops for pipeline operations from casting of pump body, line inserting of motor, stamping of rotor to installation and inspection of complete machine. His product series including 11 major series and more than 500 specifications as Vortex pump, Centrifugal pump, Jet pump, Garden pump, Sewage pump, Deep well submersible pump, Swimming pool pump and Pressure tank device system.

In recent years, Happy technology center has introduced coil vacuum dip coating, automatic drying, automation production equipment for pumps. The advanced production equipment with PRO/E three-dimension design system, CFD(computational fluid dynamics), motor electromagnetic design, and finite-element analysis, for maximal reduction in development cycle of products. In addition, a series of high-performance ex-factory test systems such as automatic acquisition system of pump performance and Japanese high accuracy air flow measuring system, the scientific "7S" field management and professional experienced technicians, which ensure high quality of "HAPPY"products.

All these achievements are just a start for development of enterprise. With ever-changing world economy situations, enterprise also confronts competition and development, and to seek prosperous development has become a common recognition of enterprises. In the operation tenet of "Survival by Quality, Development by Variety", happy will cooperate with customers for a bright tomorrow with more high-quality products and perfect services.



HAPPY[®]



www.happypump.com



CERTIFICATES OF HONOR

Zhejiang Happy Pump Industry Co., Ltd

Happy has passed through permit for manufacture of industrial products, ISO9001: 2015, ISO14001: 2015, OHSAS18001: 2007, CE and ROHS, and been awarded titles of National "Hi-tech Enterprise", "Provincial Famous Trademark", "Provincial Export Famous Brand", "Provincial Regional Brand" and "Provincial Competitive Products Manufacturing Enterprise" by People's Government of Zhejiang Province, AA-grade "Contract-honoring & Promise-keeping Unit" by Provincial Industrial and Commercial Administration, "High-tech Research & Development Center" by the municipal people's Government, and "Wenling Leading Enterprise", etc.



1997 - 2020 Zhejiang Happy Pump Industry Co.,Ltd



A

- 01 HQBm
- 02 HPm
- 03 QB
- 04 HKm
- 05 IDB
- 06 VPm
- 07 VP



PERIPHERAL PUMPS

B

- 08 HQSm-AX
- 09 HQSm-A



SMART SELF-PRIMING PUMPS

C

- 10 HIC-A
- 11 HRSm-AP



INVERTER AUTOMATIC PUMPS

D

- 12 HRSm-A



SMART AUTOMATIC PUMPS

Q

- 55 QDP-A/B
- 56 QDP-AW/BW
- 57 QDP-C



SUBMERSIBLE PUMPS

R

- 58 QDS90-S
- 59 QDP90-S
- 60 QDP145-S



SUBMERSIBLE PUMPS

S

- 61 QDP90-SE
- 62 QDP145-SE



AUTOMATIC
SUBMERSIBLE PUMPS

T

- 63 QDS-A/C/D



SUBMERSIBLE PUMPS

E

- 13 PS
- 15 PS-A
- 16 HPSm
- 17 HKS



SELF-PRIMING
PERIPHERAL PUMPS

F

- 18 HCm
- 20 HCm-1
- 21 HCm-2
- 22 HCm-5
- 23 DK
- 24 HCT-S
- 25 HCK



CENTRIFUGAL PUMPS

G

- 26 HCPF
- 27 HTm
- 28 HGAm
- 29 HFM
- 30 HNF



CENTRIFUGAL PUMPS

H

- 31 2HCP



DOUBLE-IMPELLER
CENTRIFUGAL PUMPS

U

- 64 QDS-CW/DW



SUBMERSIBLE SEWAGE PUMPS

V

- 65 QDX-FA-3
- 66 QDX-FH
- 67 QDX-A
- 68 QDX145-SV



SUBMERSIBLE PUMPS

W

- 69 WQD-B
- 70 WQD-D



SUBMERSIBLE SEWAGE PUMPS

X

- 71 H800F-B~H2250F-B
- 72 V1500F~V2200F
- 73 HVT-D/F
- 74 VTX-F



SUBMERSIBLE SEWAGE PUMPS

I

- 32 HMC-S



MULTISTAGE PUMPS

J

- 33 HMC60-SH
- 34 HMC90-SH
- 35 HMC145-SH
- 36 HMC170-SH



SELF-PRIMING
MULTISTAGE PUMPS

K

- 37 HMC60-SV
- 38 HMC90-SV
- 39 HMC145-SV
- 40 HMC170-SV



SELF-PRIMING
MULTISTAGE PUMPS

L

- 41 HMC-VE
- 42 HMC-VF



MULTISTAGE PUMPS

Y

- 75 WQDR-B
- 76 HWD
- 77 HAD
- 78 HTD
- 79 HUD



SUBMERSIBLE SEWAGE PUMPS

Z

- 80 HD1150F~HD1550F
- 81 CUT
- 82 WQK-QG



CUTTING SYSTEM
SUBMERSIBLE SEWAGE PUMPS

A1

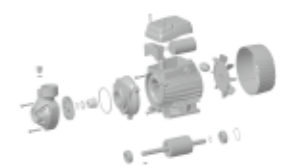
- 83 WQ-B
- 85 WQ



SUBMERSIBLE SEWAGE PUMPS

B1

- 89



EXPLODE DRAWING

M

- 43 HFC



SWIMMING POOL PUMPS

N

- 44 HKJm
- 46 JET
- 48 JSP
- 49 HJ
- 50 JET-S



SELF-PRIMING JET PUMPS

O

- 51 JETDP
- 53 DP-A



DEEP WELL
SELF-PRIMING JET PUMPS

P

- 54 SJET



GARDEN JET PUMPS

C1

- 107



PRESSURE BOOSTER SETS

D1

- 108



NEW SHAPE FOR CHOOSING

E1

- 111



ACCESSORIES PRESSURE TANK

F1

- 112



ACCESSORIES
PRESSURE CONTROL

HQBm

Peripheral pumps



HQBm60

Application

Suitable for use with clean water that does not contain abrasive particles and liquids that are not chemically aggressive towards the materials from which the pump is made.

They are easy to use and are economical, they are ideal for domestic use and in particular for distributing water in combination with small pressure sets and for the irrigation of gardens and allotments.

The pump should be installed in an enclosed environment, or at least sheltered from inclement weather.

Motor

- ※ Two-pole induction motor(n=2850 r.p.m)
- ※ Insulation Class B
- ※ Protection IP44
- ※ Continuous service S1
- ※ Thermal protector for single phase
- ※ Single-phase 220V/50Hz, 60Hz if request

Operating conditions

- ※ Liquid temperature up to 60°C
- ※ Ambient temperature up to 40°C
- ※ Total suction lift up to 8m

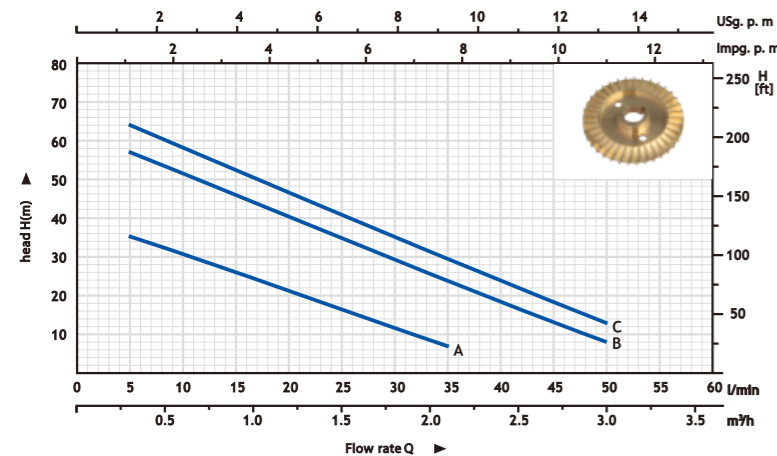
Component

- ※ Pump body:
- ※ Pump support:
- ※ Motor housing:
- ※ Impeller:
- ※ Motor shaft:
- ※ Mechanical seal:

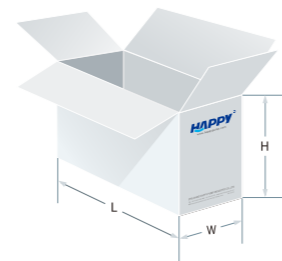
Construction

- Cast iron, with brass/AISI304 SS insert if request
- Cast iron, with brass/AISI304 SS insert if request
- Aluminum
- Brass
- Carbon steel, AISI 304 SS if request
- Ceramic/Graphite

PERFORMANCE CHART AT n=2850RPM



NO.	MODEL	INLET/OUTLET (Inch)	N.W (Kg)	L×W×H (mm)
A	HQBm60	1"×1"	5.4	265×145×175
B	HQBm70	1"×1"	8.6	300×160×205
C	HQBm80	1"×1"	10.1	300×160×205



NO.	MODEL	POWER		Q(m³/h)	Q(l/min)	0	0.3	0.6	0.9	1.2	1.5	1.8	2.1	2.4	3.0
		kW	HP												
A	HQBm60	0.37	0.5	H	40	35.5	31	26.5	22	17	12	7	4	3	8
B	HQBm70	0.55	0.75	H	63	57	51.5	45.5	40	34	29	24	19	13	8
C	HQBm80	0.75	1	H	70	64	58	52	46	40	34.5	29	24	13	8

HPm

Peripheral pumps



HPm50



HPm60

Application

Suitable for use with clean water that does not contain abrasive particles and liquids that are not chemically aggressive towards the materials from which the pump is made.

They are easy to use and are economical, they are ideal for domestic use and in particular for distributing water in combination with small pressure sets and for the irrigation of gardens and allotments.

The pump should be installed in an enclosed environment, or at least sheltered from inclement weather.

Motor

- ※ Two-pole induction motor(n=2850 r.p.m)
- ※ Insulation Class B
- ※ Protection IP44
- ※ Continuous service S1
- ※ Thermal protector
- ※ Single-phase 220V/50Hz, 60Hz if request

Operating conditions

- ※ Liquid temperature up to 60°C
- ※ Ambient temperature up to 40°C
- ※ Total suction lift up to 8m

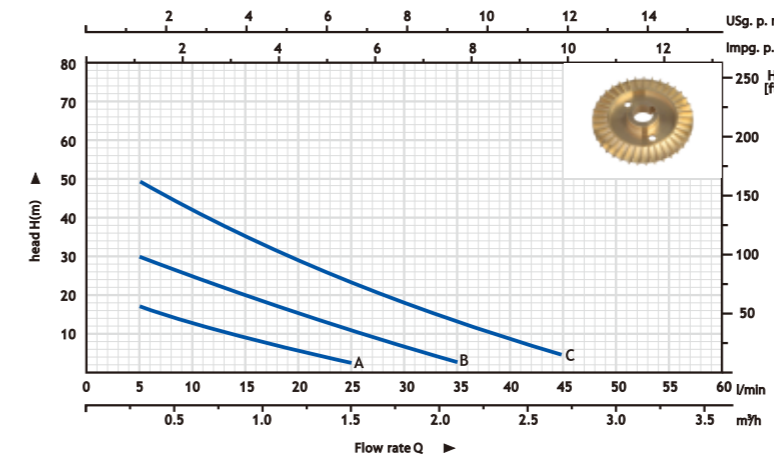
Component

- ※ Pump body:
- ※ Pump support:
- ※ Motor housing:
- ※ Impeller:
- ※ Motor shaft:
- ※ Mechanical seal:

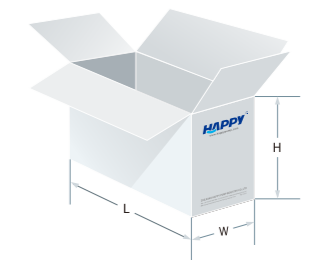
Construction

- Cast iron, with brass/AISI304 SS insert if request
- Cast iron, with brass/AISI304 SS insert if request
- Aluminum
- Brass
- Carbon steel, AISI 304 SS if request
- Ceramic/Graphite

PERFORMANCE CHART AT n=2850RPM



NO.	MODEL	INLET/OUTLET (Inch)	N.W (Kg)	L×W×H (mm)
A	HPm50	1"×1"	3.5	250×140×165
B	HPm60	1"×1"	4.7	245×140×165
C	HPm70	1"×1"	8.5	275×160×200



NO.	MODEL	POWER		Q(m³/h)	Q(l/min)	0	0.3	0.6	0.9	1.2	1.5	1.8	2.1	2.4	2.7
		kW	HP												
A	HPm50	0.11	0.15	H	21	17.5	13.8	10.2	6.5	3	3	3	3	3	3
B	HPm60	0.37	0.5	H	35	30	25	20	15	10.5	6.5	3	3	3	3
C	HPm70	0.55	0.75	H	55	49	43	37	30	23	17	12	8	5	5

QB

Peripheral pumps



QB50



QB60

Application

Suitable for use with clean water that does not contain abrasive particles and liquids that are not chemically aggressive towards the materials from which the pump is made.

They are easy to use and are economical, they are ideal for domestic use and in particular for distributing water in combination with small pressure sets and for the irrigation of gardens and allotments.

The pump should be installed in an enclosed environment, or at least sheltered from inclement weather.

Motor

- ※ Two-pole induction motor(n=2850 r.p.m)
- ※ Insulation Class B
- ※ Protection IP44
- ※ Continuous service S1
- ※ Thermal protector
- ※ Single-phase 220V/50Hz, 60Hz if request

Operating conditions

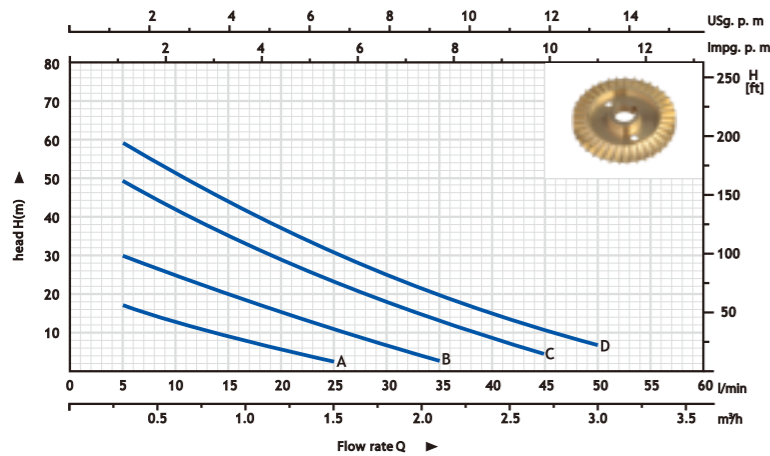
- ※ Liquid temperature up to 60°C
- ※ Ambient temperature up to 40°C
- ※ Total suction lift up to 8m

Component

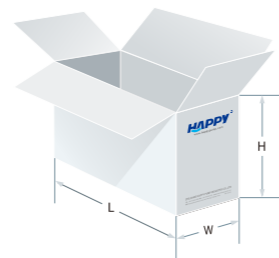
- ※ Pump body: Cast iron, with brass/AISI304 SS insert if request
- ※ Pump support: Cast iron, with brass/AISI304 SS insert if request
- ※ Motor housing: Aluminum
- ※ Impeller: Brass
- ※ Motor shaft: Carbon steel, AISI 304 SS if request
- ※ Mechanical seal: Ceramic/Graphite

Construction

PERFORMANCE CHART AT n=2850RPM



NO.	MODEL	INLET/OUTLET (Inch)	N.W (Kg)	L×W×H (mm)
A	QB50	1"×1"	3.7	220×140×170
B	QB60	1"×1"	5.3	270×140×160
C	QB70	1"×1"	8.5	325×160×200
D	QB80	1"×1"	9.5	325×160×200



NO.	MODEL	POWER		Q(m³/h)	Flow rate Q (l/min)													
		kW	HP		0	0.3	0.6	0.9	1.2	1.5	1.8	2.1	2.4	2.7	3.0			
A	QB50	0.11	0.15	H	21	17.5	13.8	10.2	6.5	3								
B	QB60	0.37	0.5		35	30	25	20	15	10.5	6.5	3						
C	QB70	0.55	0.75		55	49	43	37	30	23	17	12	8	5				
D	QB80	0.75	1		65	59	52	45	38	31	25	19	14	10	7			

HKm

Peripheral pumps



HKm



HKm-A

Application

Suitable for use with clean water that does not contain abrasive particles and liquids that are not chemically aggressive towards the materials from which the pump is made.

They are easy to use and are economical, they are ideal for domestic use and in particular for distributing water in combination with small pressure sets and for the irrigation of gardens and allotments.

The pump should be installed in an enclosed environment, or at least sheltered from inclement weather.

Motor

- ※ Two-pole induction motor(n=2850 r.p.m)
- ※ Insulation Class B
- ※ Protection IP44
- ※ Continuous service S1
- ※ Thermal protector
- ※ Single-phase 220V/50Hz, 60Hz if request

Operating conditions

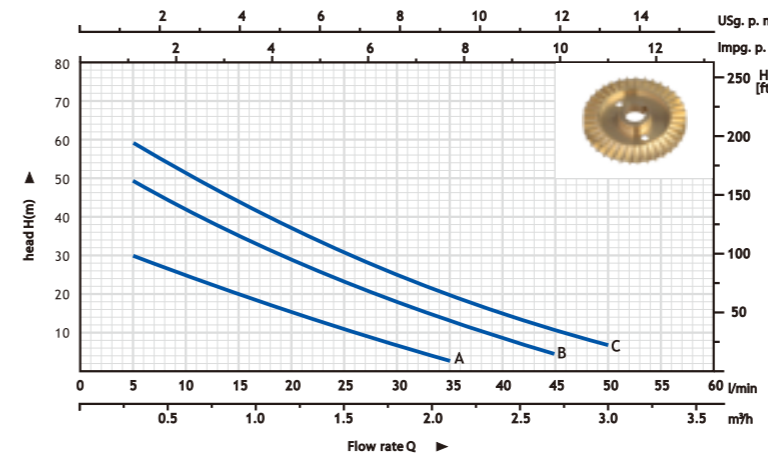
- ※ Liquid temperature up to 60°C
- ※ Ambient temperature up to 40°C
- ※ Total suction lift up to 8m

Component

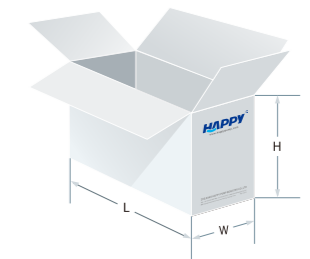
- ※ Pump body: Cast iron, with brass/AISI304 SS insert if request
- ※ Pump support: Cast iron, with brass/AISI304 SS insert if request
- ※ Motor housing: Aluminum
- ※ Impeller: Brass
- ※ Motor shaft: Carbon steel, AISI304 SS if request
- ※ Mechanical seal: Ceramic/Graphite

Construction

PERFORMANCE CHART AT n=2850RPM



NO.	MODEL	INLET/OUTLET (Inch)	N.W (Kg)	L×W×H (mm)
A	HKm60	1"×1"	5.2	265×140×160
B	HKm70	1"×1"	8.5	325×160×200
C	HKm80	1"×1"	9.5	325×160×200



NO.	MODEL	POWER		Q(m³/h)	Flow rate Q (l/min)													
		kW	HP		0	0.3	0.6	0.9	1.2	1.5	1.8	2.1	2.4	2.7	3.0			
A	HKm60	0.37	0.5	H	35	30	25	20	15	10.5	6.5	3						
B	HKm70	0.55	0.75		55	49	43	37	30	23	17	12	8	5				
C	HKm80	0.75	1		65	59	52	45	38	31	25	19	14	10	7			

VP

Peripheral pumps



VP

Application

Suitable for use with clean water that does not contain abrasive particles and liquids that are not chemically aggressive towards the materials from which the pump is made.

They are easy to use and are economical, they are ideal for domestic use and in particular for distributing water in combination with small pressure sets and for the irrigation of gardens and allotments.

The pump should be installed in an enclosed environment, or at least sheltered from inclement weather.

Motor

- ※ Two-pole induction motor(n=2850 r.p.m)
- ※ Insulation Class B
- ※ Protection IP44
- ※ Continuous service S1
- ※ Thermal protector
- ※ Single-phase 220V/50Hz, 60Hz if request

Operating conditions

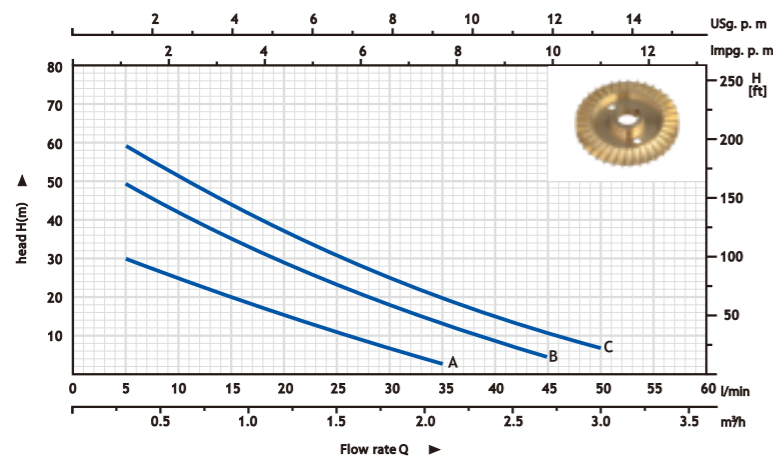
- ※ Liquid temperature up to 60°C
- ※ Ambient temperature up to 40°C
- ※ Total suction lift up to 8m

Component

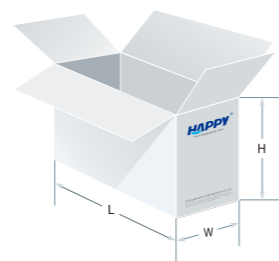
- ※ Pump body: Cast iron, with brass/AISI304 SS insert if request
- ※ Pump support: Cast iron, with brass/AISI304 SS insert if request
- ※ Motor housing: Aluminum
- ※ Impeller: Brass
- ※ Motor shaft: Carbon steel, AISI 304 SS if request
- ※ Mechanical seal: Ceramic/Graphite

Construction

PERFORMANCE CHART AT n=2850RPM



NO.	MODEL	INLET/OUTLET (Inch)	N.W (Kg)	L×W×H (mm)
A	VP5M	1"×1"	5.8	285×175×195
B	VP10M	1"×1"	10	335×195×225



NO.	MODEL	POWER		Q(m³/h)	Flow rate Q (l/min)															
		kW	HP		0	5	10	15	20	25	30	35	40	45	50					
A	VP5M	0.37	0.5	H	35	30	25	20	15	10.5	6.5	3								
B	VP10M	0.75	1	H	65	59	52	45	38	31	25	19	14	10	7					

HQSm-AX

Smart self-priming pumps



HQSm-AX

Application

Suitable for use with clean water that does not contain abrasive particles and liquids that are not chemically aggressive towards the materials from which the pump is made.

They are easy to use and are economical, they are ideal for domestic use and in particular for distributing water in combination with small pressure sets and for the irrigation of gardens and allotments. The pump comes complete with a flap-check valve.

Keep the water pressure stable to let water heater normally working.

The pump should be installed in an enclosed environment, or at least sheltered from inclement weather.

Motor

- ※ Two-pole induction motor(n=2850 r.p.m)
- ※ Insulation Class B
- ※ Protection IP44
- ※ Continuous service S1
- ※ Thermal protector
- ※ Single-phase 220V/50Hz, 60Hz if request

Operating conditions

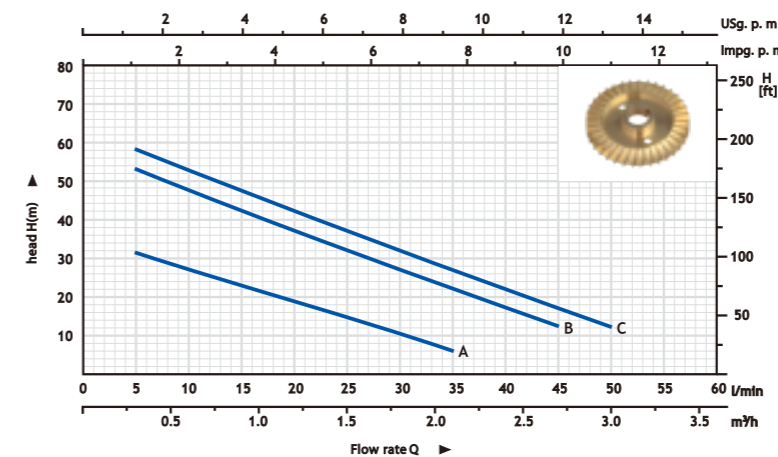
- ※ Liquid temperature up to 80°C
- ※ Ambient temperature up to 40°C
- ※ Total suction lift up to 9m

Component

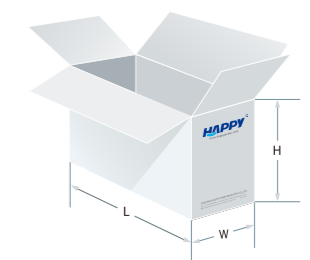
- ※ Pump body: Cast iron + AISI304 SS insert
- ※ Pump cover: Pure brass
- ※ Motor housing: Aluminum
- ※ Impeller: Brass
- ※ Motor shaft: AISI304 SS
- ※ Mechanical seal: Ceramic/Graphite

Construction

PERFORMANCE CHART AT n=2850RPM



NO.	MODEL	INLET/OUTLET (Inch)	N.W (Kg)	L×W×H (mm)
A	HQSm60-AX	1"×1"	8.3	285×225×280
B	HQSm70-AX	1"×1"	12.3	300×235×300
C	HQSm80-AX	1"×1"	13.6	300×235×300



NO.	MODEL	POWER		Q(m³/h)	Flow rate Q (l/min)															
		kW	HP		0	5	10	15	20	25	30	35	40	45	50					
A	HQSm60-AX	0.37	0.5	H	35	31	27	22.5	18.5	14.5	10	5.5								
B	HQSm70-AX	0.55	0.75	H	58	53	47	42	37	32	27	22	17	12						
C	HQSm80-AX	0.75	1	H	65	58.5	52.5	47.5	42	37	32	27	22	17	12					

PS

Self-priming peripheral pumps



PS-126



PS-130

Application

Suitable for use with clean water that does not contain abrasive particles and liquids that are not chemically aggressive towards the materials from which the pump is made.

As a result of their compactness, reliability and the fact that they are easy to use, they are suitable for use in domestic applications such as the distribution of water in combination with small pressure sets, for the irrigation of gardens and allotments, for drawing water from tanks and for all those other situations where air or water may be present in the water to be pumped. The pump comes complete with a flap-check valve.

The pump should be installed in an enclosed environment, or at least sheltered from inclement weather.

Motor

- ※ Two-pole induction motor(n=2850 r.p.m)
- ※ Insulation Class B
- ※ Protection IP44
- ※ Continuous service S1
- ※ Thermal protector
- ※ Single-phase 220V/50Hz, 60Hz if request

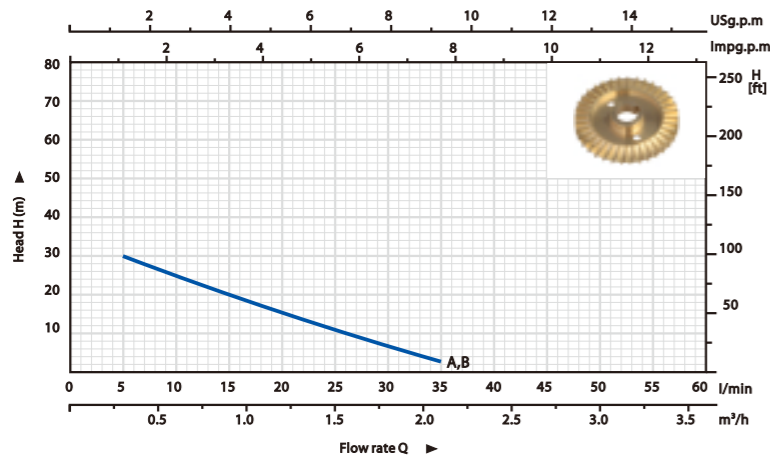
Operating conditions

- ※ Liquid temperature up to 60°C
- ※ Ambient temperature up to 40°C
- ※ Total suction lift up to 9m

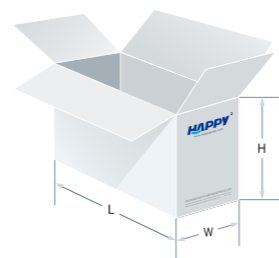
Component Construction

- ※ Pump body: Cast iron
- ※ Pump cover: Cast iron, Pure brass if request
- ※ Motor housing: Sheet steel
- ※ Impeller: Brass
- ※ Motor shaft: Carbon steel, AISI304 SS if request
- ※ Mechanical seal: Ceramic/Graphite

PERFORMANCE CHART AT n=2850RPM



NO.	MODEL	INLET/OUTLET (Inch)	N.W (Kg)	L×W×H (mm)
A	PS-126	1"×1"	8.8	295×200×290
B	PS-130	1"×1"	9.5	295×200×290



NO.	MODEL	POWER		Q(m³/h)	0	0.3	0.6	0.9	1.2	1.5	1.8	2.1
		kW	HP									
A	PS-126	0.37	0.5	H	35	30	25	20	15	10.5	6.5	3
B	PS-130	0.37	0.5		35	30	25	20	15	10.5	6.5	3

PS

Self-priming peripheral pumps



PS-130B



PS-130C

Application

Suitable for use with clean water that does not contain abrasive particles and liquids that are not chemically aggressive towards the materials from which the pump is made.

As a result of their compactness, reliability and the fact that they are easy to use, they are suitable for use in domestic applications such as the distribution of water in combination with small pressure sets, for the irrigation of gardens and allotments, for drawing water from tanks and for all those other situations where air or water may be present in the water to be pumped. The pump comes complete with a flap-check valve.

The pump should be installed in an enclosed environment, or at least sheltered from inclement weather.

Motor

- ※ Two-pole induction motor(n=2850 r.p.m)
- ※ Insulation Class B
- ※ Protection IP44
- ※ Continuous service S1
- ※ Thermal protector
- ※ Single-phase 220V/50Hz, 60Hz if request

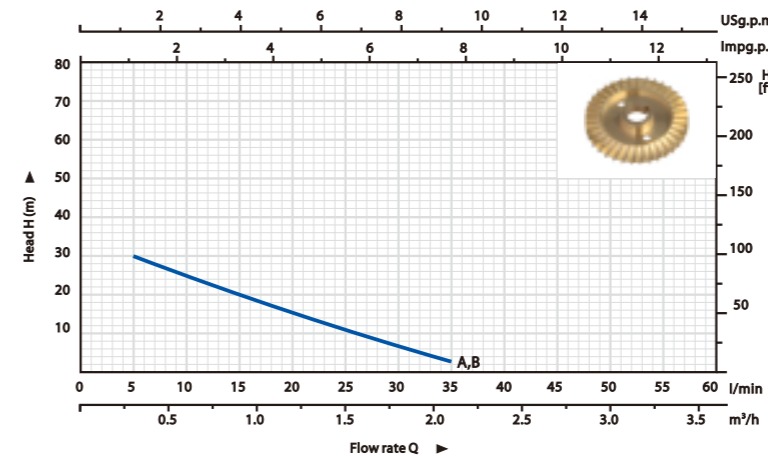
Operating conditions

- ※ Liquid temperature up to 60°C
- ※ Ambient temperature up to 40°C
- ※ Total suction lift up to 9m

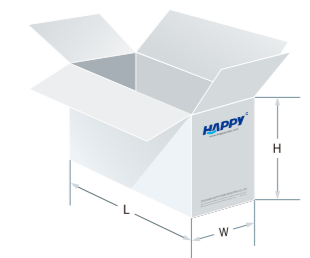
Component Construction

- ※ Pump body: Cast iron
- ※ Pump cover: Cast iron, Pure brass if request
- ※ Motor housing: Sheet steel, Aluminum for PS-130C
- ※ Impeller: Brass
- ※ Motor shaft: Carbon steel, AISI304 SS if request
- ※ Mechanical seal: Ceramic/Graphite

PERFORMANCE CHART AT n=2850RPM



NO.	MODEL	INLET/OUTLET (Inch)	N.W (Kg)	L×W×H (mm)
A	PS-130B	1"×1"	11.6	330×320×320
B	PS-130C	1"×1"	8.7	280×190×290



NO.	MODEL	POWER		Q(m³/h)	0	0.3	0.6	0.9	1.2	1.5	1.8	2.1
		kW	HP									
A	PS-130B	0.37	0.5	H	35	30	25	20	15	10.5	6.5	3
B	PS-130C	0.37	0.5		35	30	25	20	15	10.5	6.5	3

PS-A

Self-priming peripheral pumps



PS-A

Application

Suitable for use with clean water that does not contain abrasive particles and liquids that are not chemically aggressive towards the materials from which the pump is made.

As a result of their compactness, reliability and the fact that they are easy to use, they are suitable for use in domestic applications such as the distribution of water in combination with small pressure sets, for the irrigation of gardens and allotments, for drawing water from tanks and for all those other situations where air or water may be present in the water to be pumped. The pump comes complete with a flap-check valve.

The pump should be installed in an enclosed environment, or at least sheltered from inclement weather.

Motor

- ※ Two-pole induction motor(n=2850 r.p.m)
- ※ Insulation Class B
- ※ Protection IP44
- ※ Continuous service S1
- ※ Thermal protector
- ※ Single-phase 220V/50Hz, 60Hz if request

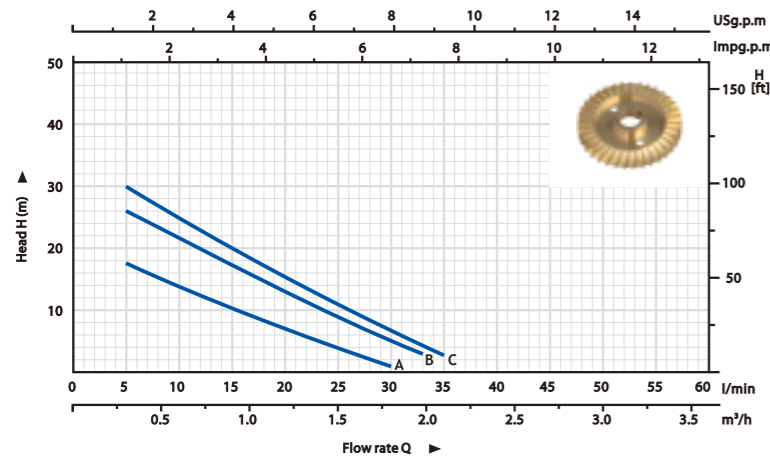
Operating conditions

- ※ Liquid temperature up to 60°C
- ※ Ambient temperature up to 40°C
- ※ Total suction lift up to 9m

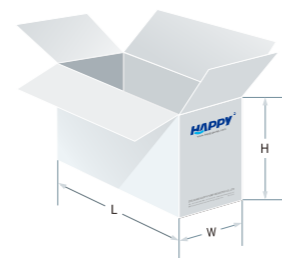
Component Construction

- ※ Pump body: Cast iron
- ※ Pump support: Cast iron
- ※ Motor housing: Aluminum
- ※ Impeller: Brass
- ※ Motor shaft: Carbon steel, AISI304 SS if request
- ※ Mechanical seal: Ceramic/Graphite

PERFORMANCE CHART AT n=2850RPM



NO.	MODEL	INLET/OUTLET (Inch)	N.W (Kg)	L×W×H (mm)
A	PS-125A	1"×1"	6.3	285×220×280
B	PS-250A	1"×1"	6.8	285×220×280
C	PS-370A	1"×1"	7.3	285×220×280



NO.	MODEL	POWER		Q(m³/h)	0	0.3	0.6	0.9	1.2	1.5	1.8	2.1
		kW	HP									
A	PS-125A	0.125	0.17	H	20	17.5	13.8	10.2	6.5	3.5	1	
B	PS-250A	0.25	0.34		28	26	22	17.5	13	9	5	1.5
C	PS-370A	0.37	0.5		35	30	25	20	15	10.5	6.5	3

HPSm

Self-priming peripheral pumps



HPSm

Application

Suitable for use with clean water that does not contain abrasive particles and liquids that are not chemically aggressive towards the materials from which the pump is made.

As a result of their compactness, reliability and the fact that they are easy to use, they are suitable for use in domestic applications such as the distribution of water in combination with small pressure sets, for the irrigation of gardens and allotments, for drawing water from tanks and for all those other situations where air or water may be present in the water to be pumped. The pump comes complete with a flap-check valve.

The pump should be installed in an enclosed environment, or at least sheltered from inclement weather.

Motor

- ※ Two-pole induction motor(n=2850 r.p.m)
- ※ Insulation Class B
- ※ Protection IP44
- ※ Continuous service S1
- ※ Thermal protector
- ※ Single-phase 220V/50Hz, 60Hz if request

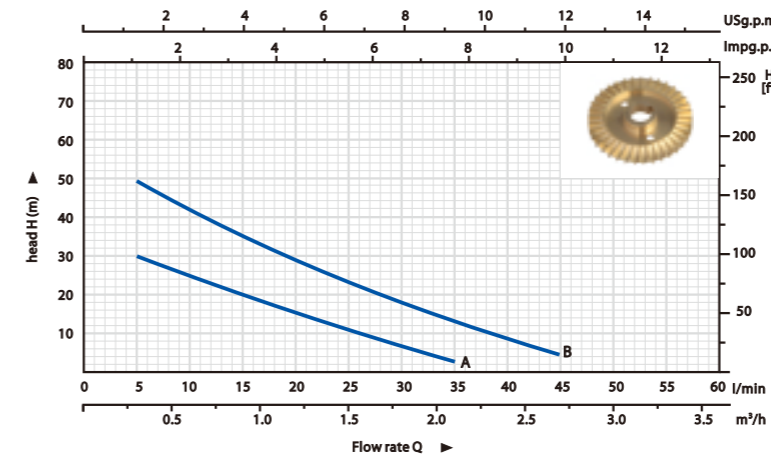
Operating conditions

- ※ Liquid temperature up to 60°C
- ※ Ambient temperature up to 40°C
- ※ Total suction lift up to 9m

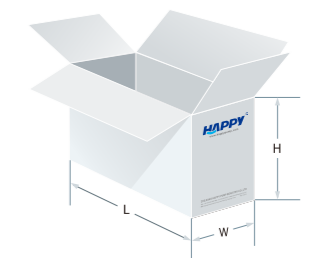
Component Construction

- ※ Pump body: Cast iron
- ※ Pump cover: Cast iron (electrophoresis) + AISI304 SS insert
- ※ Motor housing: Aluminum
- ※ Impeller: Brass
- ※ Motor shaft: Carbon steel, AISI304 SS if request
- ※ Mechanical seal: Ceramic/Graphite

PERFORMANCE CHART AT n=2850RPM



NO.	MODEL	INLET/OUTLET (Inch)	N.W (Kg)	L×W×H (mm)
A	HPSm60	1"×1"	7.2	210×155×205
B	HPSm70	1"×1"	11	260×180×215



NO.	MODEL	POWER		Q(m³/h)	0	0.3	0.6	0.9	1.2	1.5	1.8	2.1	2.4	2.7
		kW	HP											
A	HPSm60	0.37	0.5	H	35	30	25	20	15	10.5	6.5	3		
B	HPSm70	0.55	0.75		55	49	43	37	30	23	17	12	8	5

HCm

Centrifugal pumps



Application

Suitable for use with clean water and liquids that are not chemically aggressive towards the materials from which the pump is made.

As a result of their reliability and the fact that they are easy to use, these pumps are widely used in domestic and civil applications such as the distribution of water in combination with small and medium sized pressure sets, for transferring liquids and for the irrigation of gardens and allotments. The pump should be installed in an enclosed environment, or at least sheltered from inclement weather.

Motor

- ※ Two-pole induction motor(n=2850 r.p.m)
- ※ Insulation Class B
- ※ Protection IP44
- ※ Continuous service S1
- ※ Thermal protector for single phase
- ※ Single-phase 220V/50Hz, 60Hz if request
- Three-phase 380V/50Hz, 60Hz if request

Operating conditions

- ※ Liquid temperature up to 60°C
- ※ Ambient temperature up to 40°C
- ※ Total suction lift up to 8m

Component

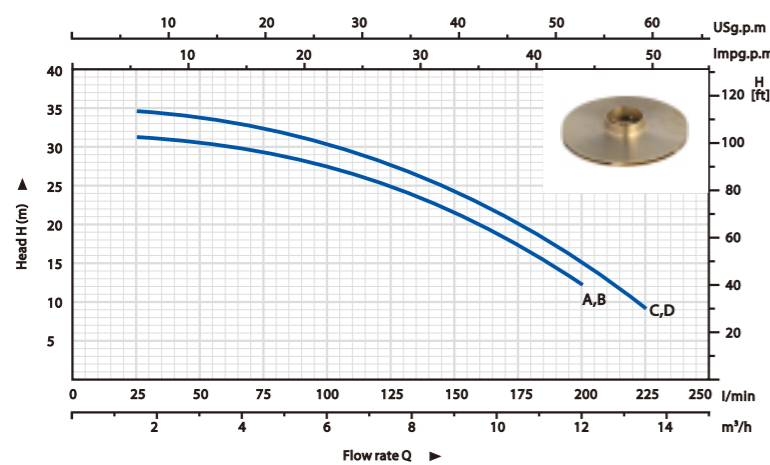
- ※ Pump body: Cast iron
- ※ Pump support: Cast iron
- ※ Motor housing: Aluminum
- ※ Impeller: Brass
- ※ Motor shaft: Carbon steel, AISI304 SS if request
- ※ Mechanical seal: SIC/Graphite

Construction

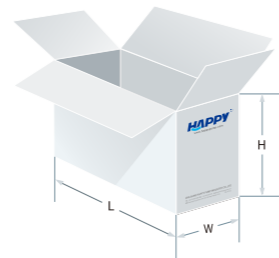


HCm

PERFORMANCE CHART AT n=2850RPM



NO.	MODEL	INLET/OUTLET (Inch)	N.W (Kg)	L×W×H (mm)
A	HCm25-160B	1½"×1"	21	385×240×295
B	HCm40-160B	1½"×1½"	21.2	385×240×295
C	HCm25-160A	1½"×1"	22	385×240×295
D	HCm40-160A	1½"×1½"	22.2	385×240×295



NO.	MODEL	POWER		Q(m³/h)	Flow rate																				
		kW	HP		0	1.5	3.0	4.5	6.0	7.5	9.0	10.5	12.0	13.5											
A	HCm25-160B	1.1	1.5	H	32	31.5	30.5	29.5	27.5	25	21.5	17.5	12.0												
B	HCm40-160B	1.1	1.5		32	31.5	30.5	29.5	27.5	25	21.5	17.5	12.0												
C	HCm25-160A	1.5	2		35	34.5	34	32.5	30.5	28	24.5	20	15.0	9.0											
D	HCm40-160A	1.5	2		35	34.5	34	32.5	30.5	28	24.5	20	15.0	9.0											

HCm-1

Centrifugal pumps



Application

Suitable for use with clean water and liquids that are not chemically aggressive towards the materials from which the pump is made.

As a result of their reliability and the fact that they are easy to use, these pumps are widely used in domestic and civil applications such as the distribution of water in combination with small and medium sized pressure sets, for transferring liquids and for the irrigation of gardens and allotments. The pump should be installed in an enclosed environment, or at least sheltered from inclement weather.

Motor

- ※ Two-pole induction motor(n=2850 r.p.m)
- ※ Insulation Class B
- ※ Protection IP44
- ※ Continuous service S1
- ※ Thermal protector for single phase
- ※ Single-phase 220V/50Hz, 60Hz if request
- Three-phase 380V/50Hz, 60Hz if request

Operating conditions

- ※ Liquid temperature up to 60°C
- ※ Ambient temperature up to 40°C
- ※ Total suction lift up to 8m

Component

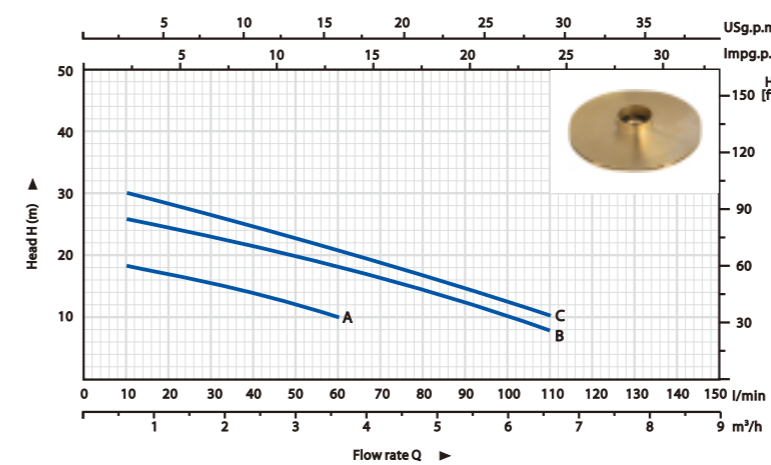
- ※ Pump body: Cast iron
- ※ Pump support: Cast iron
- ※ Motor housing: Aluminum
- ※ Impeller: Brass
- ※ Motor shaft: Carbon steel, AISI304 SS if request
- ※ Mechanical seal: Ceramic/Graphite (0.5HP), SIC/Graphite

Construction

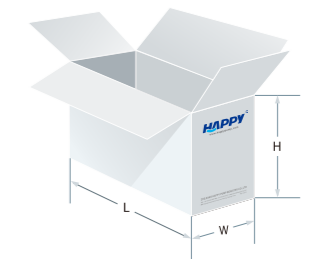


HCm-1

PERFORMANCE CHART AT n=2850RPM



NO.	MODEL	INLET/OUTLET (Inch)	N.W (Kg)	L×W×H (mm)
A	HCm130-1	1"×1"	9.5	280×190×230
B	HCm146-1	1"×1"	13	320×200×255
C	HCm158-1	1"×1"	15.5	320×215×270



NO.	MODEL	POWER		Q(m³/h)	Flow rate																				
		kW	HP		0	0.6	1.2	1.8	2.4	3.0	3.6	4.2	4.8	5.4	6.0	6.6									
A	HCm130-1	0.37	0.5	H	20	18.5	17	15.5	14	12	10														
B	HCm146-1	0.55	0.75		26	25	24	23	21.5	20	18.5	17	15	13	10.5	7.5									
C	HCm158-1	0.75	1		32	30.5	29	27.5	25.8	24	22.5	20.5	18.5	16	13	10									

HCm-2

Centrifugal pumps



HCm-2



HCm-2-A

Application

Suitable for use with clean water and liquids that are not chemically aggressive towards the materials from which the pump is made.

As a result of their reliability and the fact that they are easy to use, these pumps are widely used in domestic and civil applications such as the distribution of water in combination with small and medium sized pressure sets, for transferring liquids and for the irrigation of gardens and allotments. The pump should be installed in an enclosed environment, or at least sheltered from inclement weather.

Motor

- ※ Two-pole induction motor(n=2850 r.p.m)
- ※ Insulation Class B
- ※ Protection IP44
- ※ Continuous service S1
- ※ Thermal protector for single phase
- ※ Single-phase 220V/50Hz, 60Hz if request
- Three-phase 380V/50Hz, 60Hz if request

Operating conditions

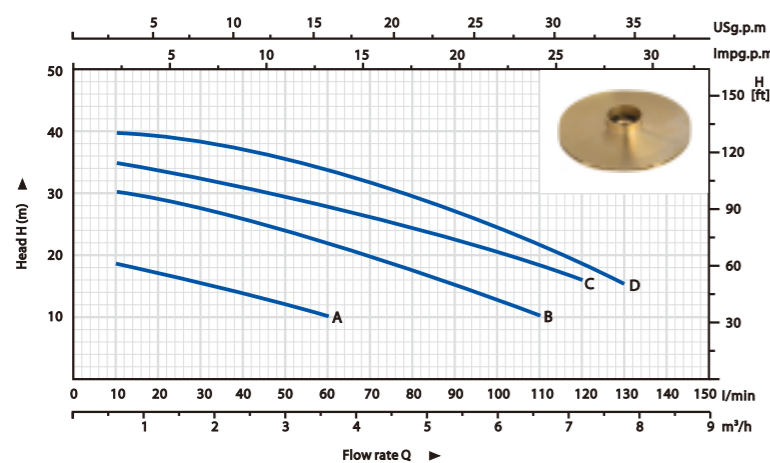
- ※ Liquid temperature up to 60°C
- ※ Ambient temperature up to 40°C
- ※ Total suction lift up to 8m

Component

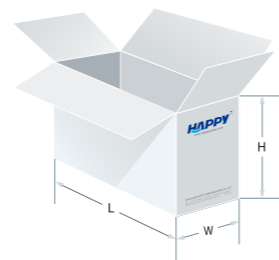
- ※ Pump body: Cast iron
- ※ Pump support: Aluminum
- ※ Motor housing: Aluminum
- ※ Impeller: Brass
- ※ Motor shaft: Carbon steel, AISI304 SS if request
- ※ Mechanical seal: Ceramic/Graphite (0.5HP), SIC/Graphite

Construction

PERFORMANCE CHART AT n=2850RPM



NO.	MODEL	INLET/OUTLET (Inch)	N.W (Kg)	L×W×H (mm)
A	HCm130-2	1"×1"	8	290×190×240
B	HCm158-2	1"×1"	12	310×220×270
C	HCm180-2	1"×1"	18	400×240×290
D	HCm190-2	1"×1"	19	400×240×290



NO.	MODEL	POWER		Q(m³/h)	Flow rate Q (l/min)															
		kW	HP		0	0.6	1.2	1.8	2.4	3.0	3.6	4.2	4.8	5.4	6.0	6.6	7.2	7.8		
A	HCm130-2	0.37	0.5	H	20	18.5	17	15.5	14	12	10									
B	HCm158-2	0.75	1		32	30.5	29	27.5	25.8	24	22.5	20.5	18.5	16	13	10				
C	HCm180-2	1.1	1.5		36	35	34	33	31.5	30	28.5	26.5	25	23	20.5	18	15.5			
D	HCm190-2	1.5	2		41	40	39	38	36.5	35	33.5	32	30	27.5	25	22	18.5	15		

HCm-5

Centrifugal pumps



HCm-5

Application

Suitable for use with clean water and liquids that are not chemically aggressive towards the materials from which the pump is made.

As a result of their reliability and the fact that they are easy to use, these pumps are widely used in domestic and civil applications such as the distribution of water in combination with small and medium sized pressure sets, for transferring liquids and for the irrigation of gardens and allotments.

The pump should be installed in an enclosed environment, or at least sheltered from inclement weather.

Motor

- ※ Two-pole induction motor(n=2850 r.p.m)
- ※ Insulation Class B
- ※ Protection IP44
- ※ Continuous service S1
- ※ Thermal protector for single phase
- ※ Single-phase 220V/50Hz, 60Hz if request
- Three-phase 380V/50Hz, 60Hz if request

Operating conditions

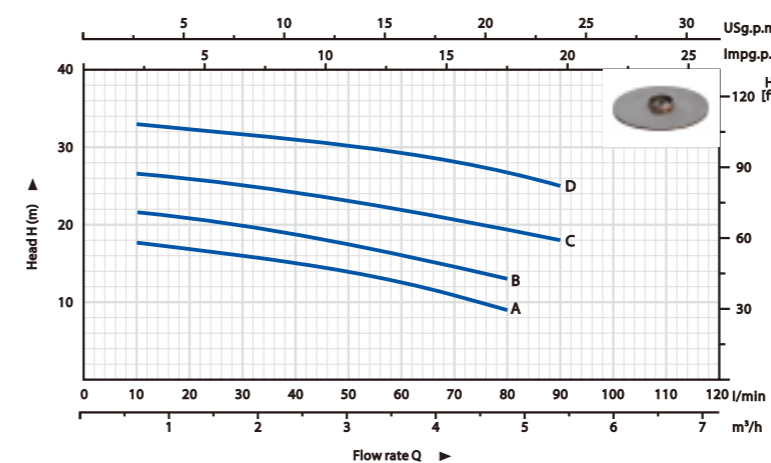
- ※ Liquid temperature up to 60°C
- ※ Ambient temperature up to 40°C
- ※ Total suction lift up to 8m

Component

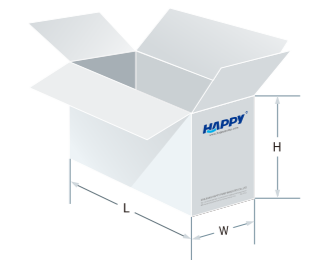
- ※ Pump body: Cast iron
- ※ Pump support: Aluminum
- ※ Motor housing: Aluminum
- ※ Impeller: AISI304 SS
- ※ Motor shaft: Carbon steel, AISI304 SS if request
- ※ Mechanical seal: Ceramic/Graphite (0.33HP & 0.5HP) SIC/Graphite

Construction

PERFORMANCE CHART AT n=2850RPM



NO.	MODEL	INLET/OUTLET (Inch)	N.W (Kg)	L×W×H (mm)
A	HCm100-5	1"×1"	7.2	280×180×230
B	HCm130-5	1"×1"	8.1	280×180×230
C	HCm146-5	1"×1"	11.4	320×205×260
D	HCm158-5	1"×1"	12.7	320×205×260



NO.	MODEL	POWER		Q(m³/h)	Flow rate Q (l/min)														
		kW	HP		0	0.6	1.2	1.8	2.4	3	3.6	4.2	4.8	5.4					
A	HCm100-5	0.25	0.33	H	18	17.5	16.8	16	15	14	12.5	11	9						
B	HCm130-5	0.37	0.5		22	21.5	20.8	20	19	17.5	16	14.5	13						
C	HCm146-5	0.55	0.75		27	26.5	26	25	24	23	22	21	19.5	18					
D	HCm158-5	0.75	1		34	33	32.3	31.5	30.8	30	29	28	26.5	25					

HTm

Centrifugal pumps



HTm

Application

Suitable for use with clean water and liquids that are not chemically aggressive towards the materials from which the pump is made.

As a result of their reliability and the fact that they are easy to use, these pumps are widely used in domestic and civil applications such as the distribution of water in combination with small and medium sized pressure sets, for transferring liquids and for the irrigation of gardens and allotments. The pump should be installed in an enclosed environment, or at least sheltered from inclement weather.

Motor

- ※ Two-pole induction motor (n=2850 r.p.m)
- ※ Insulation Class B
- ※ Protection IP44
- ※ Continuous service S1
- ※ Thermal protector for single phase
- ※ Single-phase 220V/50Hz, 60Hz if request
- Three-phase 380V/50Hz, 60Hz if request

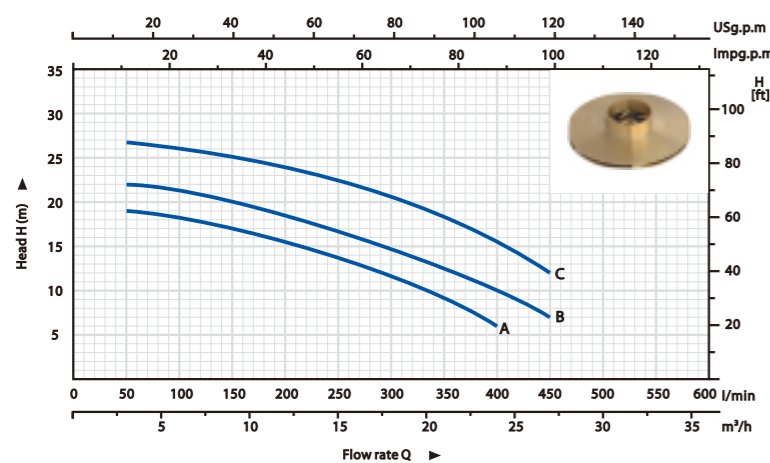
Operating conditions

- ※ Liquid temperature up to 60°C
- ※ Ambient temperature up to 40°C
- ※ Total suction lift up to 8m

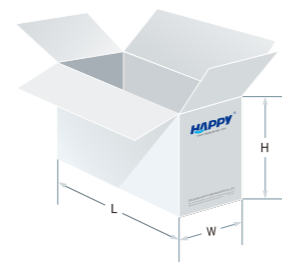
Component Construction

- ※ Pump body: Cast iron
- ※ Pump support: Cast iron
- ※ Motor housing: Aluminum
- ※ Impeller: Brass
- ※ Motor shaft: Carbon steel, AISI304 SS if request
- ※ Mechanical seal: SIC/Graphite

PERFORMANCE CHART AT n=2850RPM



NO.	MODEL	INLET/OUTLET	N.W	L×W×H
		(Inch)	(Kg)	(mm)
A	HTm32-160C	2"×2"	29.5	540×280×370
B	HTm32-160B	2"×2"	30.5	540×280×370
C	HTm32-160A	2"×2"	32	540×280×370



NO.	MODEL	POWER		Q(m³/h)	Q(l/min)	0	3.0	6.0	9.0	12.0	15.0	18.0	21.0	24.0	27.0
		kW	HP			0	50	100	150	200	250	300	350	400	450
A	HTm32-160C	1.1	1.5			20	19	18	17	15.5	13.5	11.5	9	6	
B	HTm32-160B	1.5	2	H		23	22	21	20	19	17	15	12.5	10	7
C	HTm32-160A	2.2	3			28	27	26	25	24	22.5	20.5	18	15.5	12

HGAm

Centrifugal pumps



HGAm

Application

Suitable for use with clean water and liquids that are not chemically aggressive towards the materials from which the pump is made.

As a result of their reliability and the fact that they are easy to use, these pumps are widely used in domestic and civil applications such as the distribution of water in combination with small and medium sized pressure sets, for transferring liquids and for the irrigation of gardens and allotments. The pump should be installed in an enclosed environment, or at least sheltered from inclement weather.

Motor

- ※ Two-pole induction motor (n=2850 r.p.m)
- ※ Insulation Class B
- ※ Protection IP44
- ※ Continuous service S1
- ※ Thermal protector for single phase
- ※ Single-phase 220V/50Hz, 60Hz if request
- Three-phase 380V/50Hz, 60Hz if request

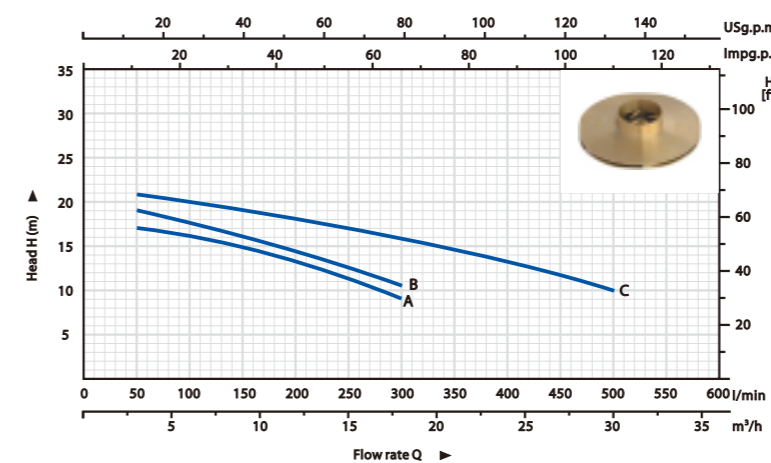
Operating conditions

- ※ Liquid temperature up to 60°C
- ※ Ambient temperature up to 40°C
- ※ Total suction lift up to 8m

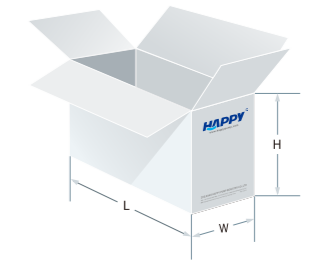
Component Construction

- ※ Pump body: Cast iron
- ※ Pump support: Cast iron
- ※ Motor housing: Aluminum
- ※ Impeller: Brass
- ※ Motor shaft: Carbon steel, AISI304 SS if request
- ※ Mechanical seal: SIC/Graphite

PERFORMANCE CHART AT n=2850RPM



NO.	MODEL	INLET/OUTLET	N.W	L×W×H
		(Inch)	(Kg)	(mm)
A	HGAm-70	1½"×1½"	14.5	340×220×270
B	HGAm-75	1½"×1½"	16.7	385×230×280
C	HGAm-80	2"×2"	21.5	435×265×290



NO.	MODEL	POWER		Q(m³/h)	Q(l/min)	0	3.0	6.0	9.0	12.0	15.0	18.0	21.0	24.0	27.0	30.0
		kW	HP			0	50	100	150	200	250	300	350	400	450	500
A	HGAm-70	0.75	1			18	17	16	15	13.5	11.5	9				
B	HGAm-75	1.1	1.5	H		20	19	17.5	16	14.5	12.5	10.5				
C	HGAm-80	1.5	2			22	21	20	19	18	17	16	15	13.5	12	10

HFM

Centrifugal pumps



Application

Suitable for use in civil and agricultural applications. The high efficiency and continuous duty capabilities makes these pumps ideal for use in activities such as flood and spray irrigation, gardening, agriculture, drawing water from lakes, rivers and wells, or for any number of different industrial applications where the characteristics of high flow rates and mid to low head are required.

The pump should be installed in an enclosed environment, or at least sheltered from inclement weather.

Motor

- ※ Two-pole induction motor(n=2850 r.p.m)
- ※ Insulation Class B
- ※ Protection IP44
- ※ Continuous service S1
- ※ Thermal protector for single phase
- ※ Single-phase 220V/50Hz, 60Hz if request
- Three-phase 380V/50Hz, 60Hz if request

Operating conditions

- ※ Liquid temperature up to 60°C
- ※ Ambient temperature up to 40°C
- ※ Total suction lift up to 8m

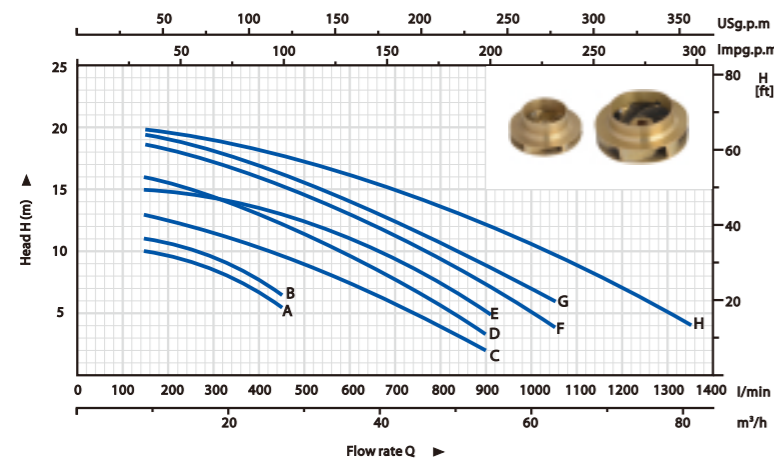
Component

- ※ Pump body:
- ※ Pump support:
- ※ Motor housing:
- ※ Impeller:
- ※ Motor shaft:
- ※ Mechanical seal:

Construction

- Cast iron
- Cast iron
- Aluminum
- Brass
- Carbon steel, AISI304 SS if request
- SIC/Graphite

PERFORMANCE CHART AT n=2850RPM



NO.	MODEL	INLET/OUTLET (Inch)	N.W (Kg)	L×W×H (mm)
A	HFM-70	2"×2"	16	355×215×275
B	HFM-75	2"×2"	18	405×230×275
C	HFM-80	3"×3"	26	470×310×345
D	HFM-85	3"×3"	27.5	470×310×345
E	HFM-90	4"×4"	31	480×310×345
F	HFM-95	4"×4"	35	530×310×350
G	HFM-100	3"×3"	32	530×310×350
H	HFM-105	4"×4"	39	610×310×350

NO.	MODEL	POWER		Q(m³/h)	Flow rate Q (m³/h)														
		kW	HP		0	9.0	18.0	27.0	36.0	45.0	54.0	63.0	72.0	81.0					
A	HFM-70	0.75	1	H	11	10	8.5	5.5											
B	HFM-75	1.1	1.5		12	11	9.5	6.5											
C	HFM-80	1.5	2		14	13	11.5	9.5	7.5	5	2								
D	HFM-85	2.2	3		17	16	14.5	12	9.5	6.5	3.5								
E	HFM-90	2.2	3		16	15	14	13	11	8.5	5								
F	HFM-95	3	4		18	18.5	17.5	15	13	10.2	7.5	4							
G	HFM-100	3	4		19	19.5	18	16	14	11.5	9	6							
H	HFM-105	4	5.5		20.5	20	19	17.5	16	14.5	12	10	7	4					

HNF

Centrifugal pumps



Application

Suitable for use in civil and agricultural applications. The high efficiency and continuous duty capabilities makes these pumps ideal for use in activities such as flood and spray irrigation, gardening, agriculture, drawing water from lakes, rivers and wells, or for any number of different industrial applications where the characteristics of high flow rates and mid to low head are required.

The pump should be installed in an enclosed environment, or at least sheltered from inclement weather.

Motor

- ※ Two-pole induction motor(n=2850 r.p.m)
- ※ Insulation Class B
- ※ Protection IP44
- ※ Continuous service S1
- ※ Thermal protector for single phase
- ※ Single-phase 220V/50Hz, 60Hz if request
- Three-phase 380V/50Hz, 60Hz if request

Operating conditions

- ※ Liquid temperature up to 60°C
- ※ Ambient temperature up to 40°C
- ※ Total suction lift up to 8m

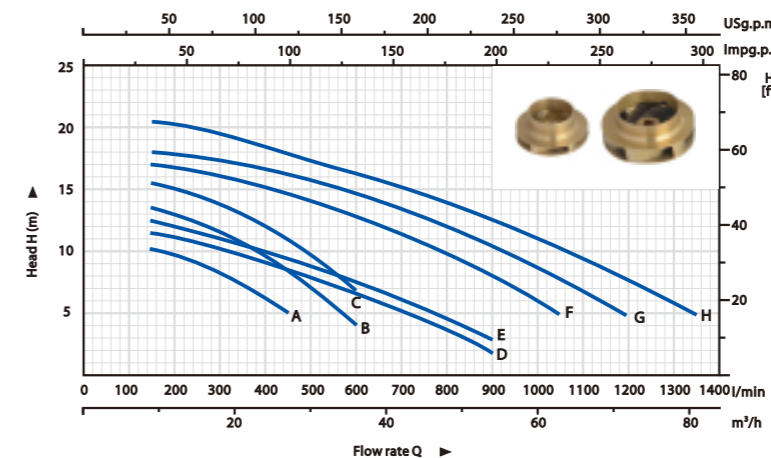
Component

- ※ Pump body:
- ※ Pump support:
- ※ Motor housing:
- ※ Impeller:
- ※ Motor shaft:
- ※ Mechanical seal:

Construction

- Cast iron
- Cast iron
- Aluminum
- Brass
- Carbon steel, AISI304 SS if request
- SIC/Graphite

PERFORMANCE CHART AT n=2850RPM



NO.	MODEL	INLET/OUTLET (Inch)	N.W (Kg)	L×W×H (mm)
A	HNF-128A	2"×2"	18.5	370×225×295
B	HNF-129B	2"×2"	22	425×230×295
C	HNF-129A	2"×2"	23.5	425×230×295
D	HNF-130C	3"×3"	28.5	465×310×345
E	HNF-130B	3"×3"	30	465×310×345
F	HNF-130A	3"×3"	35	520×300×350
G	HNF-131B	3"×3"	38	560×310×350
H	HNF-131A	3"×3"	40	560×310×350

NO.	MODEL	POWER		Q(m³/h)	Flow rate Q (m³/h)														
		kW	HP		0	9.0	18.0	27.0	36.0	45.0	54.0	63.0	72.0	81.0					
A	HNF-128A	0.75	1	H	12	10.5	8.5	5											
B	HNF-129B	1.1	1.5		15	14	12	8.5	4										
C	HNF-129A	1.5	2		17	15.5	14	11	7										
D	HNF-130C	1.1	1.5		12	11.5	10.5	9	6.5	4	2								
E	HNF-130B	1.5	2		13.5	12.5	11.5	10	7.5	5	3								
F	HNF-130A	2.2	3		18	17	16	14.5	13	11	8	5							
G	HNF-131B	3	4		19	18	17	16	15	13	10.5	8	5						
H	HNF-131A	4	5.5		21	20.5	19.5	18	17	15.5	13	11	8	5					

2HCP

Double-impeller centrifugal pumps



2HCP-160



2HCP-200

Application

Suitable for use with clean water and liquids that are not chemically aggressive towards the materials from which the pump is made.

The high efficiency and adaptability of these pumps to even the most unusual of applications, makes the ideal for use in the domestic, civil and industrial sectors, in particular for the distribution of water in combination with pressure sets, for pressure boosting and in fire-fighting sets.

The pump should be installed in an enclosed environment, or at least sheltered from inclement weather.

Motor

- ※ Two-pole induction motor (n=2850 r.p.m)
- ※ Insulation Class B
- ※ Protection IP44
- ※ Continuous service S1
- ※ Thermal protector for single phase
- ※ Single-phase 220V/50Hz, 60Hz if request
- ※ Three-phase 380V/50Hz, 60Hz if request

Operating conditions

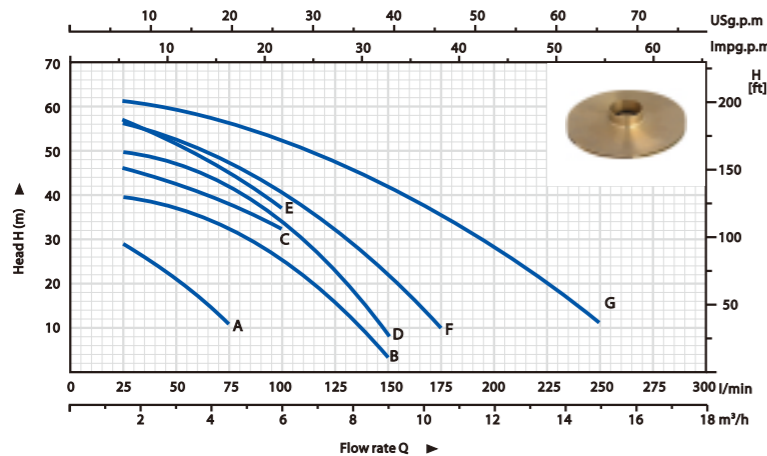
- ※ Liquid temperature up to 60°C
- ※ Ambient temperature up to 40°C
- ※ Total suction lift up to 8m

Component

- ※ Pump body: Cast iron
- ※ Pump support: Cast iron
- ※ Motor housing: Aluminum
- ※ Impeller: Brass
- ※ Motor shaft: Carbon steel, AISI304 SS if request
- ※ Mechanical seal: SIC/Graphite

Construction

PERFORMANCE CHART AT n=2850RPM



NO.	MODEL	INLET/OUTLET (Inch)	N.W (Kg)	L×W×H (mm)
A	2HCP-130	1¼"×1"	16	370×225×260
B	2HCP-140M	1½"×1"	22	450×225×275
C	2HCP-140H	1¼"×1"	22	450×225×275
D	2HCP-160B	1½"×1"	27	455×255×290
E	2HCP-160	1¼"×1"	26	455×255×290
F	2HCP-180	1½"×1¼"	32	550×310×370
G	2HCP-200	1½"×1¼"	42	570×310×370

NO.	MODEL	POWER		Q(m³/h)	0	1.5	3.0	4.5	6.0	7.5	9.0	10.5	12.0	13.5	15.0
		kW	HP												
A	2HCP-130	0.75	1		38	29	21	11							
B	2HCP-140M	1.1	1.5		45	40	37	32	26	16	3				
C	2HCP-140H	1.1	1.5		50	46	42.5	38	32.5						
D	2HCP-160B	1.5	2	H	54	50	47	42	34	24	8				
E	2HCP-160	1.5	2		61	57	51.5	45	37						
F	2HCP-180	2.2	3		60	56.5	53	48	41	32.5	22	10			
G	2HCP-200	3	4		65	61.5	59	56	52	47	42	36	29	21	10

HMC-S

Multistage pumps



Application

Suitable for use with clean water even where air is present and with liquids that are not chemically aggressive towards the materials from which the pump is made.

The pumps are designed to pump water even in cases where air is present. As a result of their quietness, reliability and low energy consumption they are recommended for use in domestic and civil applications such as the pressurisation and distribution of water in combination with pressure sets, and in rain water recovery and irrigation systems, etc.

The pump should be installed in an enclosed environment, or at least sheltered from inclement weather.

Motor

- ※ Two-pole induction motor (n=2850 r.p.m)
- ※ Insulation Class B
- ※ Protection IP44
- ※ Continuous service S1
- ※ Thermal protector for single phase
- ※ Single-phase 220V/50Hz, 60Hz if request
- ※ Three-phase 380V/50Hz, 60Hz if request

Operating conditions

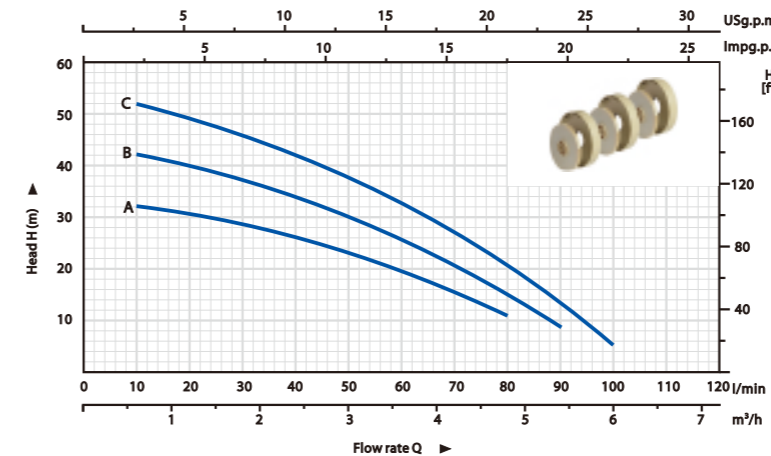
- ※ Liquid temperature up to 60°C
- ※ Ambient temperature up to 40°C
- ※ Total suction lift up to 8m

Component

- ※ Pump body: Cast iron + Stainless steel
- ※ Pump support: Cast iron
- ※ Motor housing: Aluminum
- ※ Impeller: PPO
- ※ Motor shaft: AISI304 SS
- ※ Mechanical seal: SIC/Graphite

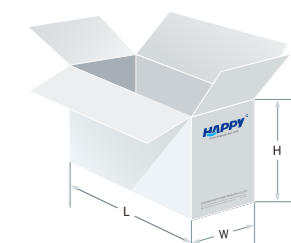
Construction

PERFORMANCE CHART AT n=2850RPM



NO.	MODEL	INLET/OUTLET (Inch)	N.W (Kg)	L×W×H (mm)
A	HMC-3S	1"×1"	11.4	420×190×210
B	HMC-4S	1"×1"	13	440×190×210
C	HMC-5S	1"×1"	14	470×190×210

NO.	MODEL	POWER		Q(m³/h)	0	0.6	1.2	1.8	2.4	3.0	3.6	4.2	4.8	5.4	6.0
		kW	HP												
A	HMC-3S	0.55	0.75		33	32	30.5	28.5	26	23	19.5	15.5	11		
B	HMC-4S	0.75	1	H	44	42	40	37	34	30	25.5	20.5	15	9	
C	HMC-5S	0.9	1.2		55	52	49	46	42	38	33	27	20.5	13.5	5



HMC60-SH

Self-priming multistage pumps



Application

Suitable for use with clean water even where air is present and with liquids that are not chemically aggressive towards the materials from which the pump is made.

The pumps are designed to pump water even in cases where air is present. As a result of their quietness, reliability and low energy consumption they are recommended for use in domestic and civil applications such as the pressurisation and distribution of water in combination with pressure sets, and in rain water recovery and irrigation systems, etc.

The pump should be installed in an enclosed environment, or at least sheltered from inclement weather.

Motor

- ※ Two-pole induction motor(n=2850 r.p.m)
- ※ Insulation Class B
- ※ Protection IP44
- ※ Continuous service S1
- ※ Thermal protector for single phase
- ※ Single-phase 220V/50Hz, 60Hz if request
- Three-phase 380V/50Hz, 60Hz if request

Operating conditions

- ※ Liquid temperature up to 60°C
- ※ Ambient temperature up to 40°C
- ※ Total suction lift up to 8m

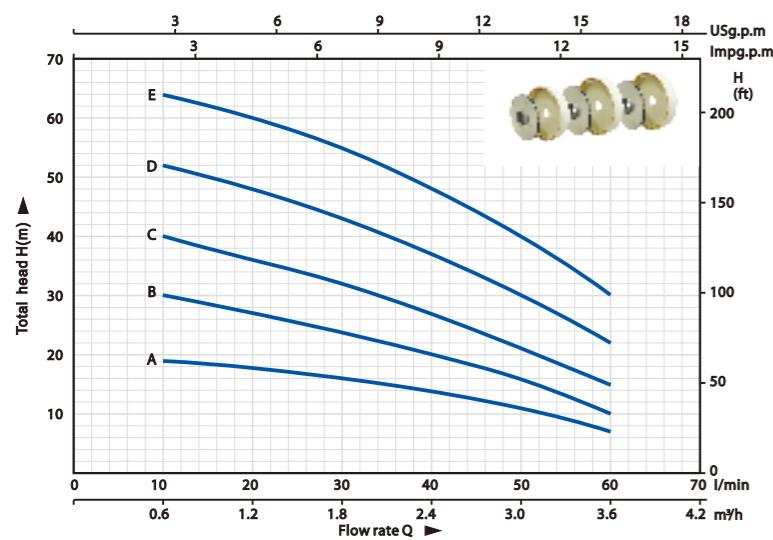
Component

- ※ Pump body: Cast iron + Stainless steel
- ※ Pump support: Cast iron
- ※ Motor housing: Aluminum
- ※ Impeller: AISI304 SS, PPO if request
- ※ Motor shaft: AISI304 SS
- ※ Mechanical seal: SIC/Graphite

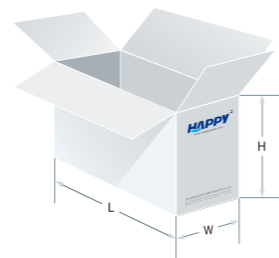
Construction

- ※ Pump body: Cast iron + Stainless steel
- ※ Pump support: Cast iron
- ※ Motor housing: Aluminum
- ※ Impeller: AISI304 SS, PPO if request
- ※ Motor shaft: AISI304 SS
- ※ Mechanical seal: SIC/Graphite

PERFORMANCE CHART AT n=2850RPM



NO.	MODEL	INLET/OUTLET (Inch)	N.W (Kg)	L×W×H (mm)
A	HMC60-2SH	1"×1"	8.6	365×190×185
B	HMC60-3SH	1"×1"	8.9	390×190×185
C	HMC60-4SH	1"×1"	11.1	465×190×210
D	HMC60-5SH	1"×1"	12	490×190×210
E	HMC60-6SH	1"×1"	13.1	515×190×210



NO.	MODEL	POWER		Q(m³/h) Q(l/min)	0	0.6	1.2	1.8	2.4	3.0	3.6
		kW	HP								
A	HMC60-2SH	0.37	0.5	H	20	19	18	16	14	11	7
B	HMC60-3SH	0.50	0.65		32	30	27	24	20	16	10
C	HMC60-4SH	0.70	0.95		43	40	36	32	27	21	15
D	HMC60-5SH	0.85	1.15		54	52	48	43	37	30	22
E	HMC60-6SH	1.00	1.3		66	64	60	55	48	40	30

HMC90-SH

Self-priming multistage pumps



Application

Suitable for use with clean water even where air is present and with liquids that are not chemically aggressive towards the materials from which the pump is made.

The pumps are designed to pump water even in cases where air is present. As a result of their quietness, reliability and low energy consumption they are recommended for use in domestic and civil applications such as the pressurisation and distribution of water in combination with pressure sets, and in rain water recovery and irrigation systems, etc.

The pump should be installed in an enclosed environment, or at least sheltered from inclement weather.

Motor

- ※ Two-pole induction motor(n=2850 r.p.m)
- ※ Insulation Class B
- ※ Protection IP44
- ※ Continuous service S1
- ※ Thermal protector for single phase
- ※ Single-phase 220V/50Hz, 60Hz if request
- Three-phase 380V/50Hz, 60Hz if request

Operating conditions

- ※ Liquid temperature up to 60°C
- ※ Ambient temperature up to 40°C
- ※ Total suction lift up to 8m

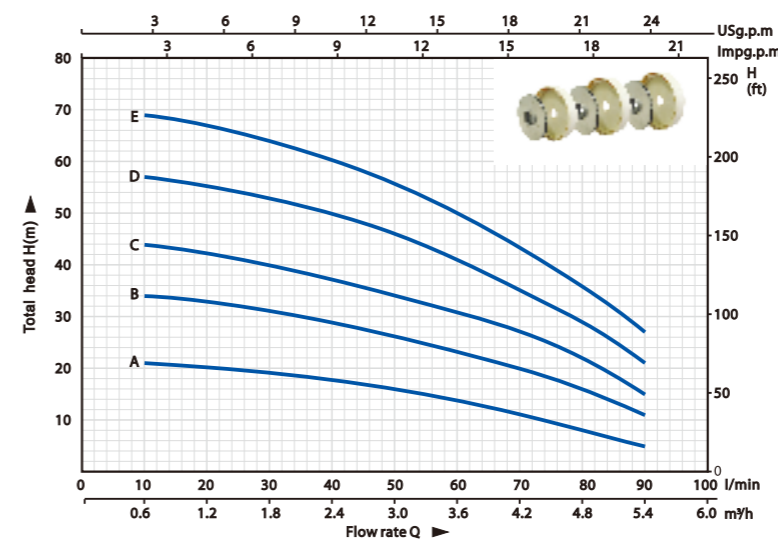
Component

- ※ Pump body: Cast iron + Stainless steel
- ※ Pump support: Cast iron
- ※ Motor housing: Aluminum
- ※ Impeller: AISI304 SS, PPO if request
- ※ Motor shaft: AISI304 SS
- ※ Mechanical seal: SIC/Graphite

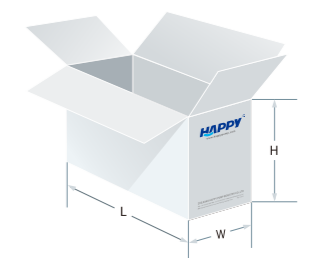
Construction

- ※ Pump body: Cast iron + Stainless steel
- ※ Pump support: Cast iron
- ※ Motor housing: Aluminum
- ※ Impeller: AISI304 SS, PPO if request
- ※ Motor shaft: AISI304 SS
- ※ Mechanical seal: SIC/Graphite

PERFORMANCE CHART AT n=2850RPM



NO.	MODEL	INLET/OUTLET (Inch)	N.W (Kg)	L×W×H (mm)
A	HMC90-2SH	1"×1"	8.7	365×190×185
B	HMC90-3SH	1"×1"	11.2	440×190×210
C	HMC90-4SH	1"×1"	12.2	465×190×210
D	HMC90-5SH	1"×1"	13.3	490×190×210
E	HMC90-6SH	1"×1"	17.1	560×230×250



NO.	MODEL	POWER		Q(m³/h) Q(l/min)	0	0.6	1.2	1.8	2.4	3.0	3.6	4.2	4.8	5.4
		kW	HP											
A	HMC90-2SH	0.45	0.6	H	22	21	20	19	18	16	14	11	8	5
B	HMC90-3SH	0.65	0.9		35	34	33	31	29	26	23	20	16	11
C	HMC90-4SH	0.75	1		45	44	42	40	37	34	31	27	22	15
D	HMC90-5SH	1	1.3		58	57	55	53	50	46	41	35	29	21
E	HMC90-6SH	1.3	1.75		70	69	67	64	60	56	50	43	36	27

HMC145-SH

Self-priming multistage pumps



Application

Suitable for use with clean water even where air is present and with liquids that are not chemically aggressive towards the materials from which the pump is made.

The pumps are designed to pump water even in cases where air is present. As a result of their quietness, reliability and low energy consumption they are recommended for use in domestic and civil applications such as the pressurisation and distribution of water in combination with pressure sets, and in rain water recovery and irrigation systems, etc.

The pump should be installed in an enclosed environment, or at least sheltered from inclement weather.

Motor

- ※ Two-pole induction motor(n=2850 r.p.m)
- ※ Insulation Class B
- ※ Protection IP44
- ※ Continuous service S1
- ※ Thermal protector for single phase
- ※ Single-phase 220V/50Hz, 60Hz if request
- Three-phase 380V/50Hz, 60Hz if request

Operating conditions

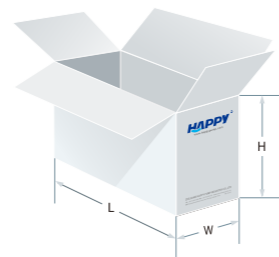
- ※ Liquid temperature up to 60°C
- ※ Ambient temperature up to 40°C
- ※ Total suction lift up to 8m

Component

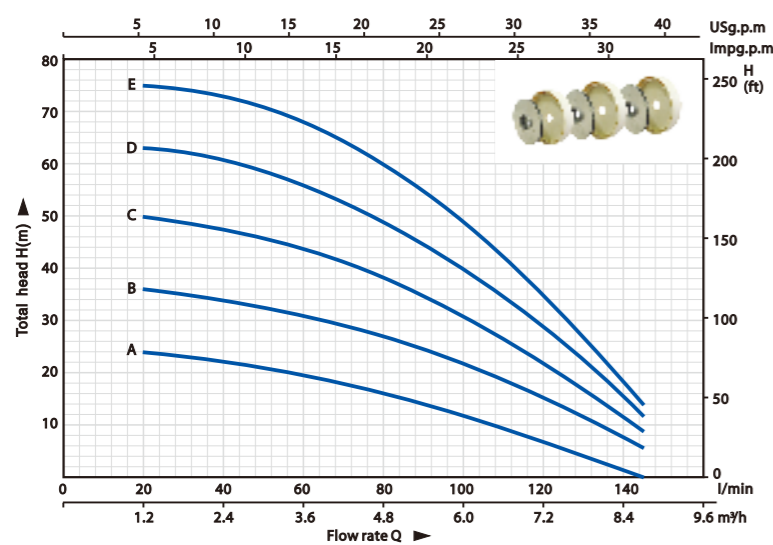
- ※ Pump body: Cast iron + Stainless steel
- ※ Pump support: Cast iron
- ※ Motor housing: Aluminum
- ※ Impeller: AISI304 SS, PPO if request
- ※ Motor shaft: AISI304 SS
- ※ Mechanical seal: SIC/Graphite

Construction

NO.	MODEL	INLET/OUTLET (Inch)	N.W (Kg)	L×W×H (mm)
A	HMC145-2SH	1½"×1"	10.8	410×190×210
B	HMC145-3SH	1½"×1"	12.6	440×190×210
C	HMC145-4SH	1½"×1"	17.5	490×230×250
D	HMC145-5SH	1½"×1"	19	520×230×250
E	HMC145-6SH	1½"×1"	23.5	605×270×260



PERFORMANCE CHART AT n=2850RPM



NO.	MODEL	POWER		Q(m³/h)	Q(l/min)	0	1.2	2.4	3.6	4.8	6.0	7.2	7.8	8.7
		kW	HP											
A	HMC145-2SH	0.55	0.75			25	24	22	20	16	12	7	4	0
B	HMC145-3SH	0.75	1			37	36	34	31	27	22	15	12	6
C	HMC145-4SH	1.1	1.5	H		52	50	47	44	38	31	22	17	9
D	HMC145-5SH	1.5	2			64	63	61	56	49	40	29	23	12
E	HMC145-6SH	1.85	2.5			76	75	73	68	60	49	35	27	14

HMC170-SH

Self-priming multistage pumps



Application

Suitable for use with clean water even where air is present and with liquids that are not chemically aggressive towards the materials from which the pump is made.

The pumps are designed to pump water even in cases where air is present. As a result of their quietness, reliability and low energy consumption they are recommended for use in domestic and civil applications such as the pressurisation and distribution of water in combination with pressure sets, and in rain water recovery and irrigation systems, etc.

The pump should be installed in an enclosed environment, or at least sheltered from inclement weather.

Motor

- ※ Two-pole induction motor(n=2850 r.p.m)
- ※ Insulation Class B
- ※ Protection IP44
- ※ Continuous service S1
- ※ Thermal protector for single phase
- ※ Single-phase 220V/50Hz, 60Hz if request
- Three-phase 380V/50Hz, 60Hz if request

Operating conditions

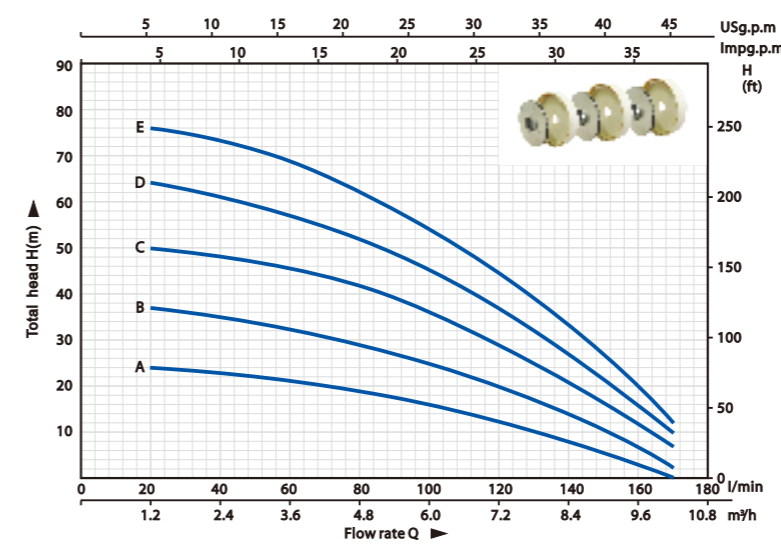
- ※ Liquid temperature up to 60°C
- ※ Ambient temperature up to 40°C
- ※ Total suction lift up to 8m

Component

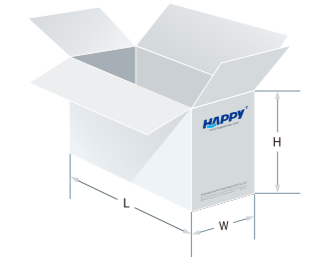
- ※ Pump body: Cast iron + Stainless steel
- ※ Pump support: Cast iron
- ※ Motor housing: Aluminum
- ※ Impeller: AISI304 SS
- ※ Motor shaft: AISI304 SS
- ※ Mechanical seal: SIC/Graphite

Construction

PERFORMANCE CHART AT n=2850RPM



NO.	MODEL	POWER		Q(m³/h)	Q(l/min)	0	1.2	2.4	3.6	4.8	6.0	7.2	8.4	9.6	10.2
		kW	HP												
A	HMC170-2SH	0.75	1			25	24	23	21	19	16	12	8	3	0
B	HMC170-3SH	1	1.3			38	37	35	33	29	25	20	14	7	2
C	HMC170-4SH	1.35	1.8	H		52	50	48	45	42	36	29	21	12	7
D	HMC170-5SH	1.65	2.2			65	64	61	57	52	45	37	27	16	10
E	HMC170-6SH	2.1	2.8			78	76	73	69	62	54	45	33	20	12



HMC60-SV

Self-priming multistage pumps



Application

Suitable for use with clean water even where air is present and with liquids that are not chemically aggressive towards the materials from which the pump is made.

The pumps are designed to pump water even in cases where air is present. As a result of their quietness, reliability and low energy consumption they are recommended for use in domestic and civil applications such as the pressurisation and distribution of water in combination with pressure sets, and in rain water recovery and irrigation systems, etc.

The pump should be installed in an enclosed environment, or at least sheltered from inclement weather.

Motor

- ※ Two-pole induction motor(n=2850 r.p.m)
- ※ Insulation Class B
- ※ Protection IP44
- ※ Continuous service S1
- ※ Thermal protector for single phase
- ※ Single-phase 220V/50Hz, 60Hz if request
- Three-phase 380V/50Hz, 60Hz if request

Operating conditions

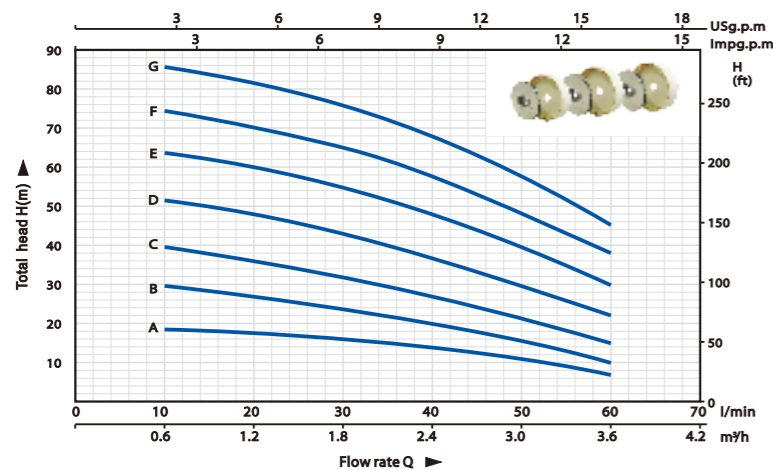
- ※ Liquid temperature up to 60°C
- ※ Ambient temperature up to 40°C

Component

- ※ Pump body: Cast iron + Stainless steel
- ※ Pump support: Cast iron
- ※ Motor housing: Aluminum
- ※ Impeller: AISI304 SS, PPO if request
- ※ Motor shaft: AISI304 SS
- ※ Mechanical seal: SIC/Graphite

Construction

PERFORMANCE CHART AT n=2850RPM



NO.	MODEL	INLET/OUTLET	N.W (Kg)	L×W×H (mm)
		(Inch)		
A	HMC60-2SV	1"×1"	10.8	375×195×200
B	HMC60-3SV	1"×1"	11.2	400×195×200
C	HMC60-4SV	1"×1"	13.3	495×235×240
D	HMC60-5SV	1"×1"	14.2	525×235×240
E	HMC60-6SV	1"×1"	15.3	550×235×240
F	HMC60-7SV	1"×1"	24.1	620×275×270
G	HMC60-8SV	1"×1"	25.3	645×275×270

NO.	MODEL	POWER		Q(m³/h)	0	0.6	1.2	1.8	2.4	3.0	3.6
		kW	HP								
A	HMC60-2SV	0.37	0.5	H	20	19	18	16	14	11	7
B	HMC60-3SV	0.5	0.65		32	30	27	24	20	16	10
C	HMC60-4SV	0.7	0.95		43	40	36	32	27	21	15
D	HMC60-5SV	0.85	1.15		54	52	48	43	37	30	22
E	HMC60-6SV	1	1.3		66	64	60	55	48	40	30
F	HMC60-7SV	1.2	1.6		77	75	70	65	58	48	38
G	HMC60-8SV	1.4	1.85		88	86	82	76	68	58	45

HMC90-SV

Self-priming multistage pumps



Application

Suitable for use with clean water even where air is present and with liquids that are not chemically aggressive towards the materials from which the pump is made.

The pumps are designed to pump water even in cases where air is present. As a result of their quietness, reliability and low energy consumption they are recommended for use in domestic and civil applications such as the pressurisation and distribution of water in combination with pressure sets, and in rain water recovery and irrigation systems, etc.

The pump should be installed in an enclosed environment, or at least sheltered from inclement weather.

Motor

- ※ Two-pole induction motor(n=2850 r.p.m)
- ※ Insulation Class B
- ※ Protection IP44
- ※ Continuous service S1
- ※ Thermal protector for single phase
- ※ Single-phase 220V/50Hz, 60Hz if request
- Three-phase 380V/50Hz, 60Hz if request

Operating conditions

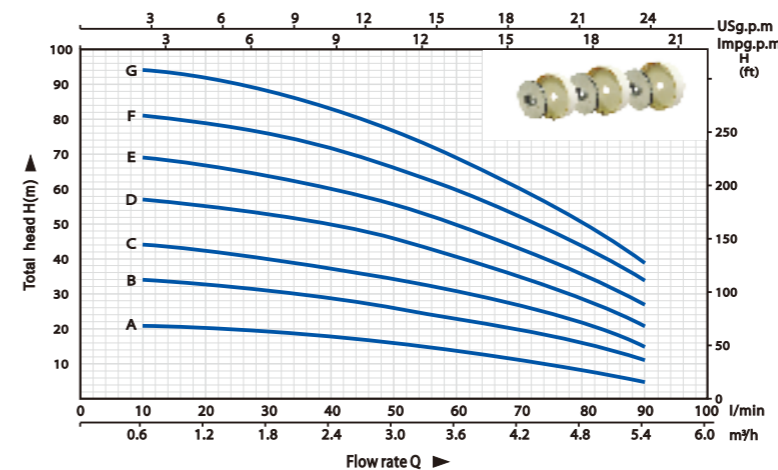
- ※ Liquid temperature up to 60°C
- ※ Ambient temperature up to 40°C

Component

- ※ Pump body: Cast iron + Stainless steel
- ※ Pump support: Cast iron
- ※ Motor housing: Aluminum
- ※ Impeller: AISI304 SS, PPO if request
- ※ Motor shaft: AISI304 SS
- ※ Mechanical seal: SIC/Graphite

Construction

PERFORMANCE CHART AT n=2850RPM



NO.	MODEL	INLET/OUTLET	N.W (Kg)	L×W×H (mm)
		(Inch)		
A	HMC90-2SV	1"×1"	11	375×195×200
B	HMC90-3SV	1"×1"	13.5	475×235×240
C	HMC90-4SV	1"×1"	14.6	500×235×240
D	HMC90-5SV	1"×1"	15.8	525×235×240
E	HMC90-6SV	1"×1"	20.2	575×255×265
F	HMC90-7SV	1"×1"	21.7	620×275×270
G	HMC90-8SV	1"×1"	23.5	655×275×270

NO.	MODEL	POWER		Q(m³/h)	0	0.6	1.2	1.8	2.4	3.0	3.6	4.2	4.8	5.4
		kW	HP											
A	HMC90-2SV	0.45	0.6	H	22	21	20	19	18	16	14	11	8	5
B	HMC90-3SV	0.65	0.9		35	34	33	31	29	26	23	20	16	11
C	HMC90-4SV	0.75	1		45	44	42	40	37	34	31	27	22	15
D	HMC90-5SV	1	1.3		58	57	55	53	50	46	41	35	29	21
E	HMC90-6SV	1.3	1.75		70	69	67	64	60	56	50	43	36	27
F	HMC90-7SV	1.5	2		82	81	79	76	72	66	60	52	44	34
G	HMC90-8SV	1.65	2.2		95	94	92	88	83	77	69	60	51	39

HMC145-SV

Self-priming multistage pumps



Application

Suitable for use with clean water even where air is present and with liquids that are not chemically aggressive towards the materials from which the pump is made.

The pumps are designed to pump water even in cases where air is present. As a result of their quietness, reliability and low energy consumption they are recommended for use in domestic and civil applications such as the pressurisation and distribution of water in combination with pressure sets, and in rain water recovery and irrigation systems, etc.

The pump should be installed in an enclosed environment, or at least sheltered from inclement weather.

Motor

- ※ Two-pole induction motor(n=2850 r.p.m)
- ※ Insulation Class B
- ※ Protection IP44
- ※ Continuous service S1
- ※ Thermal protector for single phase
- ※ Single-phase 220V/50Hz, 60Hz if request
- Three-phase 380V/50Hz, 60Hz if request

Operating conditions

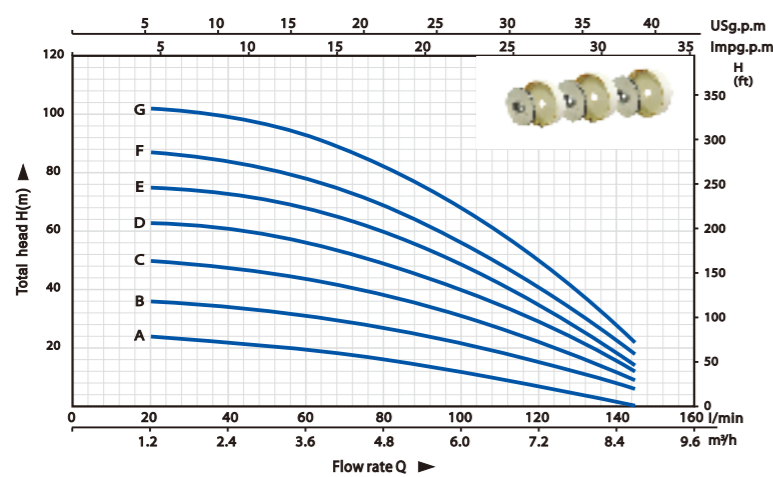
- ※ Liquid temperature up to 60°C
- ※ Ambient temperature up to 40°C

Component

- ※ Pump body: Cast iron + Stainless steel
- ※ Pump support: Cast iron
- ※ Motor housing: Aluminum
- ※ Impeller: AISI304 SS, PPO if request
- ※ Motor shaft: AISI304 SS
- ※ Mechanical seal: SIC/Graphite

Construction

PERFORMANCE CHART AT n=2850RPM



NO.	MODEL	INLET/OUTLET	N.W (Kg)	L×W×H (mm)
		(Inch)		
A	HMC145-2SV	1 1/4" × 1"	13	450 × 235 × 240
B	HMC145-3SV	1 1/4" × 1"	14	475 × 235 × 240
C	HMC145-4SV	1 1/4" × 1"	21.7	545 × 275 × 270
D	HMC145-5SV	1 1/4" × 1"	23	570 × 275 × 270
E	HMC145-6SV	1 1/4" × 1"	29.8	605 × 260 × 235
F	HMC145-7SV	1 1/4" × 1"	31	670 × 285 × 265
G	HMC145-8SV	1 1/4" × 1"	32.6	695 × 285 × 265

NO.	MODEL	POWER		Q(m³/h)	0	1.2	2.4	3.6	4.8	6.0	7.2	7.8	8.7
		kW	HP										
A	HMC145-2SV	0.55	0.75	H	25	24	22	20	16	12	7	4	0
B	HMC145-3SV	0.75	1		37	36	34	31	27	22	15	12	6
C	HMC145-4SV	1.1	1.5		52	50	47	44	38	31	22	17	9
D	HMC145-5SV	1.5	2		64	63	61	56	49	40	29	23	12
E	HMC145-6SV	1.85	2.5		76	75	73	68	60	49	35	27	14
F	HMC145-7SV	2.2	3		89	87	84	78	69	56	41	32	18
G	HMC145-8SV	2.5	3.3		104	102	99	93	82	68	50	40	22

HMC170-SV

Self-priming multistage pumps



Application

Suitable for use with clean water even where air is present and with liquids that are not chemically aggressive towards the materials from which the pump is made.

The pumps are designed to pump water even in cases where air is present. As a result of their quietness, reliability and low energy consumption they are recommended for use in domestic and civil applications such as the pressurisation and distribution of water in combination with pressure sets, and in rain water recovery and irrigation systems, etc.

The pump should be installed in an enclosed environment, or at least sheltered from inclement weather.

Motor

- ※ Two-pole induction motor(n=2850 r.p.m)
- ※ Insulation Class B
- ※ Protection IP44
- ※ Continuous service S1
- ※ Thermal protector for single phase
- ※ Single-phase 220V/50Hz, 60Hz if request
- Three-phase 380V/50Hz, 60Hz if request

Operating conditions

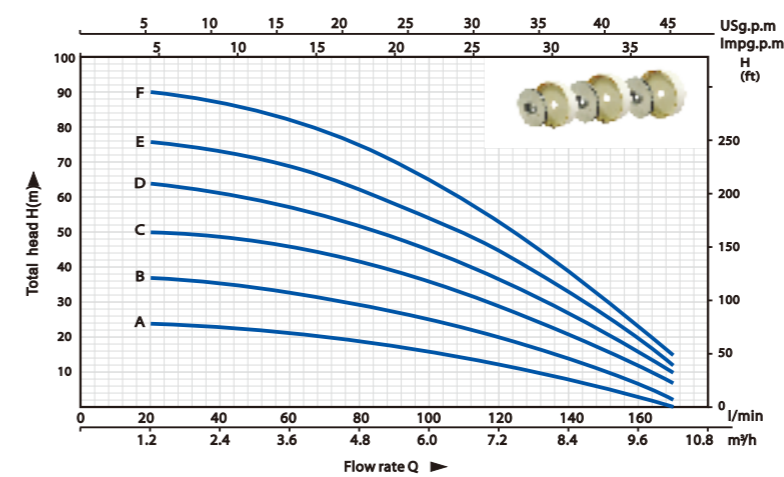
- ※ Liquid temperature up to 60°C
- ※ Ambient temperature up to 40°C

Component

- ※ Pump body: Cast iron + Stainless steel
- ※ Pump support: Cast iron
- ※ Motor housing: Aluminum
- ※ Impeller: AISI304 SS
- ※ Motor shaft: AISI304 SS
- ※ Mechanical seal: SIC/Graphite

Construction

PERFORMANCE CHART AT n=2850RPM



NO.	MODEL	INLET/OUTLET	N.W (Kg)	L×W×H (mm)
		(Inch)		
A	HMC170-2SV	1 1/4" × 1 1/4"	14	435 × 220 × 215
B	HMC170-3SV	1 1/4" × 1 1/4"	15.2	460 × 220 × 215
C	HMC170-4SV	1 1/4" × 1 1/4"	22.5	545 × 275 × 270
D	HMC170-5SV	1 1/4" × 1 1/4"	23.6	570 × 275 × 270
E	HMC170-6SV	1 1/4" × 1 1/4"	28.5	645 × 285 × 265
F	HMC170-7SV	1 1/4" × 1 1/4"	32	670 × 285 × 265

NO.	MODEL	POWER		Q(m³/h)	0	1.2	2.4	3.6	4.8	6.0	7.2	8.4	9.6	10.2
		kW	HP											
A	HMC170-2SV	0.75	1	H	25	24	23	21	19	16	12	8	3	0
B	HMC170-3SV	1	1.3		38	37	35	33	29	25	20	14	7	2
C	HMC170-4SV	1.35	1.8		52	50	48	45	42	36	29	21	12	7
D	HMC170-5SV	1.65	2.2		65	64	61	57	52	45	37	27	16	10
E	HMC170-6SV	2.1	2.8		78	76	73	69	62	54	45	33	20	12
F	HMC170-7SV	2.4	3.2		92	90	87	82	75	65	53	39	23	15

HFC

Swimming pool pumps



HFC-550/750



HFC-900/1100



HFC-1500/2200

Application

Filter centrifugal pumps are designed for cleaning swimming pool. They are suitable to transfer high volumes of water (not exceeding 45°C) against low head.

The pump should be installed in an enclosed environment, or at least sheltered from inclement weather.

Motor

- ※ Two-pole induction motor(n=2850 r.p.m)
- ※ Insulation Class B
- ※ Protection IP44
- ※ Continuous service S1
- ※ Thermal protector for single phase
- ※ Single-phase 220V/50Hz, 60Hz if request
- Three-phase 380V/50Hz, 60Hz if request

Operating conditions

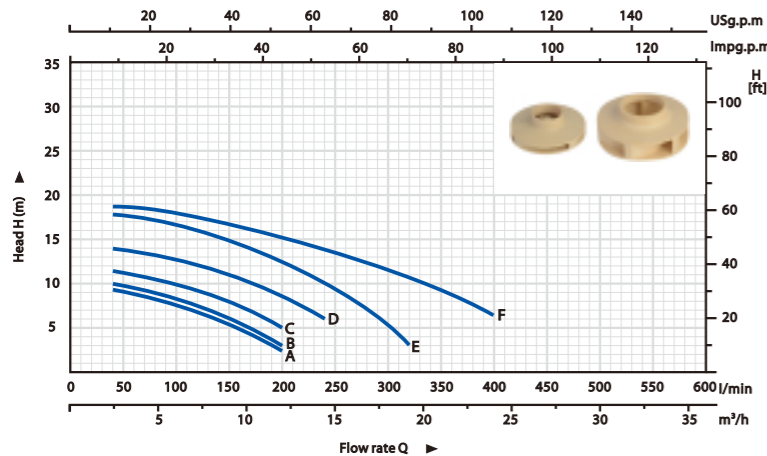
- ※ Liquid temperature up to 45°C
- ※ Ambient temperature up to 40°C
- ※ Total suction lift up to 5m

Component

- ※ Pump body: Techno-polymer
- ※ Pump support: Aluminum, Cast iron for HFC-1500/2200
- ※ Motor housing: Aluminum, Alloy for HFC-550/750
- ※ Impeller: Techno-polymer
- ※ Motor shaft: AISI304 SS
- ※ Mechanical seal: SIC/Graphite

Construction

PERFORMANCE CHART AT n=2850RPM



NO.	MODEL	INLET/OUTLET (Inch)	N.W (Kg)	L×W×H (mm)
A	HFC-550	1½"×1½"	6.5	395×180×230
B	HFC-750	1½"×1½"	7.5	395×180×230
C	HFC-900	1½"×1½"	11	520×215×300
D	HFC-1100	1½"×1½"	12	520×215×300
E	HFC-1500	2"×2"	19	620×255×345
F	HFC-2200	2"×2"	20.3	620×255×345

NO.	MODEL	POWER		Q(m³/h)	0	2.4	4.8	7.2	9.6	12.0	14.4	16.8	19.2	21.6	24.0
		kW	HP												
A	HFC-550	0.55	0.75	H	10	9.5	8.5	7	5	2.5					
B	HFC-750	0.75	1		11	10	9	7.5	5.5	3					
C	HFC-900	0.9	1.2		12	11.5	10.5	9	7.5	5					
D	HFC-1100	1.1	1.5		15	14	13	12	10.5	8.5	6				
E	HFC-1500	1.5	2		19	18	17	16	14.5	12.5	10	7	3		
F	HFC-2200	2.2	3		20	19	18	17	16	15	14	12.5	11	9	6

HKJm

Self-priming Jet pumps



HKJm 1C

Application

Suitable for use with clean water and liquids that are not chemically aggressive towards the materials from which the pump is made.

The self-priming jet pumps are designed to pump water even in cases where air is present. As a result of their reliability and the fact that they are easy to use, and recommended for use in domestic applications such as the distribution of water in combination with small or medium sized pressure sets, and for the irrigation of gardens and allotments, etc.

The pump should be installed in an enclosed environment, or at least sheltered from inclement weather.

Motor

- ※ Two-pole induction motor(n=2850 r.p.m)
- ※ Insulation Class B
- ※ Protection IP44
- ※ Continuous service S1
- ※ Thermal protector for single phase
- ※ Single-phase 220V/50Hz, 60Hz if request
- Three-phase 380V/50Hz, 60Hz if request

Operating conditions

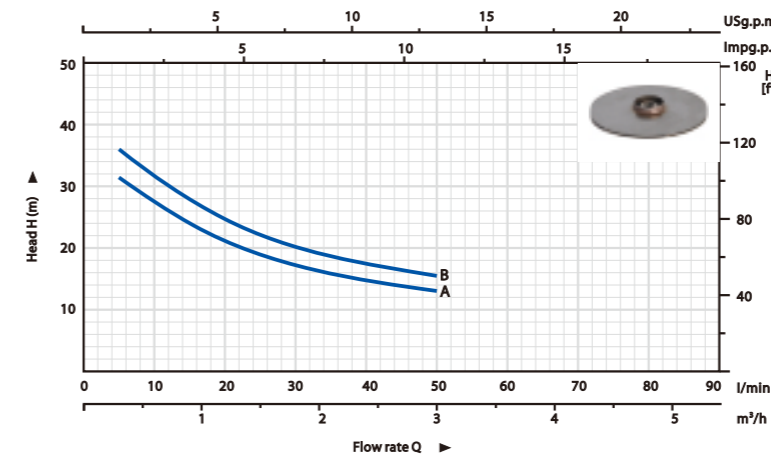
- ※ Liquid temperature up to 60°C
- ※ Ambient temperature up to 40°C
- ※ Total suction lift up to 9m

Component

- ※ Pump body: Cast iron
- ※ Pump support: Aluminum
- ※ Motor housing: Aluminum
- ※ Impeller: AISI304 SS
- ※ Diffuser: Noryl
- ※ Motor shaft: Carbon steel, AISI304 SS if request
- ※ Mechanical seal: Ceramic/Graphite

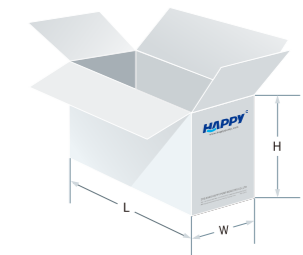
Construction

PERFORMANCE CHART AT n=2850RPM



NO.	MODEL	INLET/OUTLET (Inch)	N.W (Kg)	L×W×H (mm)
A	HKJm 1C	1"×1"	9.1	370×170×195
B	HKJm 1B	1"×1"	9.7	370×170×195

NO.	MODEL	POWER		Q(m³/h)	0	0.3	0.6	0.9	1.2	1.5	1.8	2.1	2.4	2.7	3
		kW	HP												
A	HKJm 1C	0.37	0.5	H	36	31.5	27.5	24	21	19	17.3	16	15	14	13
B	HKJm 1B	0.55	0.75		41	36	31.5	28	25	22	20	18.5	17.5	16.5	15.5



HKJm

Self-priming Jet pumps



HKJm 10M

Application

Suitable for use with clean water and liquids that are not chemically aggressive towards the materials from which the pump is made.

The self-priming jet pumps are designed to pump water even in cases where air is present. As a result of their reliability and the fact that they are easy to use, and recommended for use in domestic applications such as the distribution of water in combination with small or medium sized pressure sets, and for the irrigation of gardens and allotments, etc.

The pump should be installed in an enclosed environment, or at least sheltered from inclement weather.

Motor

- ※ Two-pole induction motor(n=2850 r.p.m)
- ※ Insulation Class B
- ※ Protection IP44
- ※ Continuous service S1
- ※ Thermal protector for single phase
- ※ Single-phase 220V/50Hz, 60Hz if request
- Three-phase 380V/50Hz, 60Hz if request

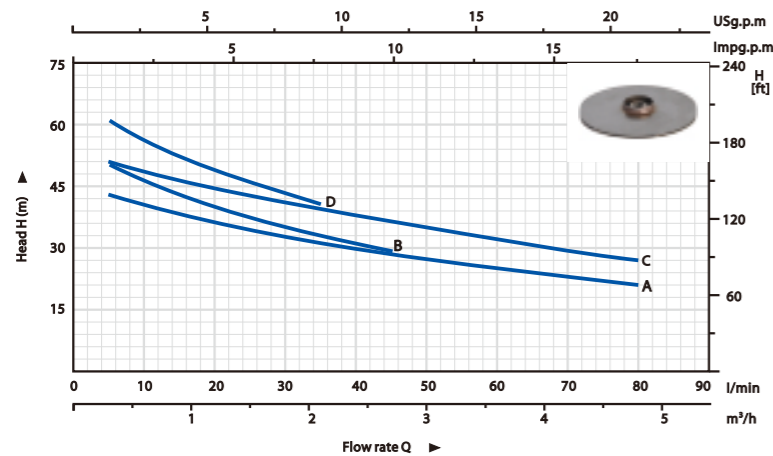
Operating conditions

- ※ Liquid temperature up to 60°C
- ※ Ambient temperature up to 40°C
- ※ Total suction lift up to 9m

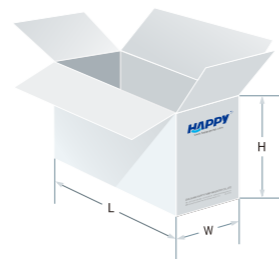
Component Construction

- ※ Pump body: Cast iron
- ※ Pump support: Aluminum
- ※ Motor housing: Aluminum
- ※ Impeller: AISI304 SS
- ※ Diffuser: Noryl
- ※ Motor shaft: Carbon steel, AISI304 SS if request
- ※ Mechanical seal: SIC/Graphite

PERFORMANCE CHART AT n=2850RPM



NO.	MODEL	INLET/OUTLET (Inch)	N.W (Kg)	L×W×H (mm)
A	HKJm 10M	1"×1"	14.4	430×195×225
B	HKJm 10H	1"×1"	14.4	430×195×225
C	HKJm 15M	1"×1"	15.5	430×195×225
D	HKJm 15H	1"×1"	15.5	430×195×225



NO.	MODEL	POWER		Q(m³/h)	Flow rate Q (m³/h)															
		kW	HP		0	0.3	0.6	0.9	1.2	1.5	1.8	2.1	2.4	2.7	3	3.6	4.2	4.8		
A	HKJm 10M	0.75	1	H	46	43	40.5	38.3	36.2	34.8	33.3	31.8	30.5	29	27.5	25	23	21		
B	HKJm 10H	0.75	1		56	50.5	46	43	40	37.5	35	33	31	29	27					
C	HKJm 15M	1.1	1.5		54	51	48.5	46.5	44.5	42.5	41	39.5	38	36.5	35	32	29	27		
D	HKJm 15H	1.1	1.5		66	61	56.5	52.5	49	46	43.5	41	38	35.5	34					

JET

Self-priming Jet pumps



JET-A



JET-B



JET-C

Application

Suitable for use with clean water and liquids that are not chemically aggressive towards the materials from which the pump is made.

The self-priming jet pumps are designed to pump water even in cases where air is present. As a result of their reliability and the fact that they are easy to use, they are recommended for use in domestic applications such as the distribution of water in combination with small or medium sized pressure sets, and for the irrigation of gardens and allotments, etc.

The pump should be installed in an enclosed environment, or at least sheltered from inclement weather.

Motor

- ※ Two-pole induction motor(n=2850 r.p.m)
- ※ Insulation Class B
- ※ Protection IP44
- ※ Continuous service S1
- ※ Thermal protector for single phase
- ※ Single-phase 220V/50Hz, 60Hz if request
- Three-phase 380V/50Hz, 60Hz if request

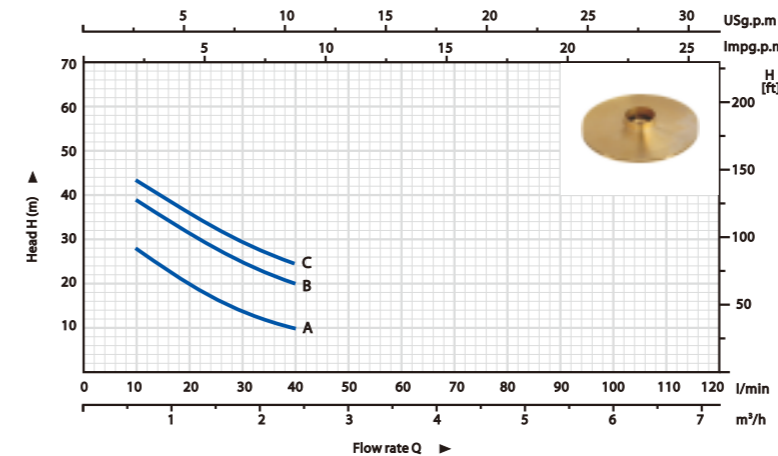
Operating conditions

- ※ Liquid temperature up to 60°C
- ※ Ambient temperature up to 40°C
- ※ Total suction lift up to 9m

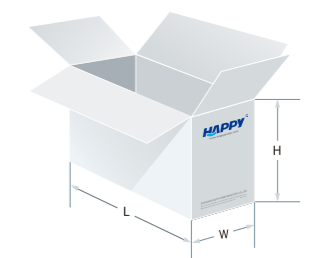
Component Construction

- ※ Pump body: Cast iron
- ※ Pump support: Cast iron
- ※ Motor housing: Aluminum
- ※ Impeller: Brass
- ※ Diffuser: Noryl
- ※ Motor shaft: Carbon steel, AISI304 SS if request
- ※ Mechanical seal: SIC/Graphite

PERFORMANCE CHART AT n=2850RPM



NO.	MODEL	INLET/OUTLET (Inch)	N.W (Kg)	L×W×H (mm)
A	JET-60A/B/C	1"×1"	12.5	450×215×235
B	JET-80A/B/C	1"×1"	13.5	450×215×235
C	JET-100A/B/C	1"×1"	14.5	450×215×235



NO.	MODEL	POWER		Q(m³/h)	Flow rate Q (m³/h)							
		kW	HP		0	0.6	1.2	1.8	2.4			
A	JET-60A/B/C	0.37	0.5	H	35	28	20	14	10			
B	JET-80A/B/C	0.55	0.75		48	39	31	25	20			
C	JET-100A/B/C	0.75	1		53	43.5	35.5	30	24			

JET

Self-priming Jet pumps



Application

Suitable for use with clean water and liquids that are not chemically aggressive towards the materials from which the pump is made.

The self-priming jet pumps are designed to pump water even in cases where air is present. As a result of their reliability and the fact that they are easy to use, they are recommended for use in domestic applications such as the distribution of water in combination with small or medium sized pressure sets, and for the irrigation of gardens and allotments, etc.

The pump should be installed in an enclosed environment, or at least sheltered from inclement weather.

Motor

- ※ Two-pole induction motor(n=2850 r.p.m)
- ※ Insulation Class B
- ※ Protection IP44
- ※ Continuous service S1
- ※ Thermal protector for single phase
- ※ Single-phase 220V/50Hz, 60Hz if request
- Three-phase 380V/50Hz, 60Hz if request

Operating conditions

- ※ Liquid temperature up to 60°C
- ※ Ambient temperature up to 40°C
- ※ Total suction lift up to 9m

Component

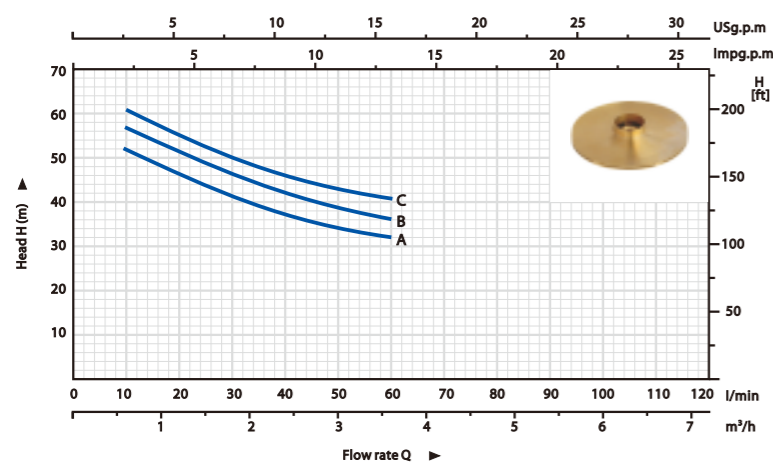
- ※ Pump body: Cast iron
- ※ Pump support: Cast iron
- ※ Motor housing: Aluminum
- ※ Impeller: Brass
- ※ Diffuser: Noryl
- ※ Motor shaft: Carbon steel, AISI304 SS if request
- ※ Mechanical seal: SIC/Graphite

Construction

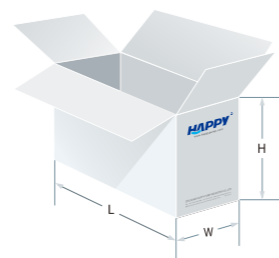


JET-150A/180A/200A

PERFORMANCE CHART AT n=2850RPM



NO.	MODEL	INLET/OUTLET (Inch)	N.W (Kg)	L×W×H (mm)
A	JET-150A	1"×1"	24.5	555×245×285
B	JET-180A	1¼"×1"	25	555×245×285
C	JET-200A	1½"×1¼"	26	555×245×285



NO.	MODEL	POWER		Q(m³/h)	Q(l/min)	0	0.6	1.2	1.8	2.4	3.0	3.6
		kW	HP									
A	JET-150A	0.9	1.2	H	56	52	46	41	37	34	32	
B	JET-180A	1.1	1.5		61	57	51	46	42	38.5	36	
C	JET-200A	1.5	2		66	61	55	50	46	43	40.5	

JSP

Self-priming Jet pumps



Application

Suitable for use with clean water and liquids that are not chemically aggressive towards the materials from which the pump is made.

The self-priming jet pumps are designed to pump water even in cases where air is present. As a result of their reliability and the fact that they are easy to use, they are recommended for use in domestic applications such as the distribution of water in combination with small or medium sized pressure sets, and for the irrigation of gardens and allotments, etc.

The pump should be installed in an enclosed environment, or at least sheltered from inclement weather.

Motor

- ※ Two-pole induction motor(n=2850 r.p.m)
- ※ Insulation Class B
- ※ Protection IP44
- ※ Continuous service S1
- ※ Thermal protector for single phase
- ※ Single-phase 220V/50Hz, 60Hz if request
- Three-phase 380V/50Hz, 60Hz if request

Operating conditions

- ※ Liquid temperature up to 60°C
- ※ Ambient temperature up to 40°C
- ※ Total suction lift up to 9m

Component

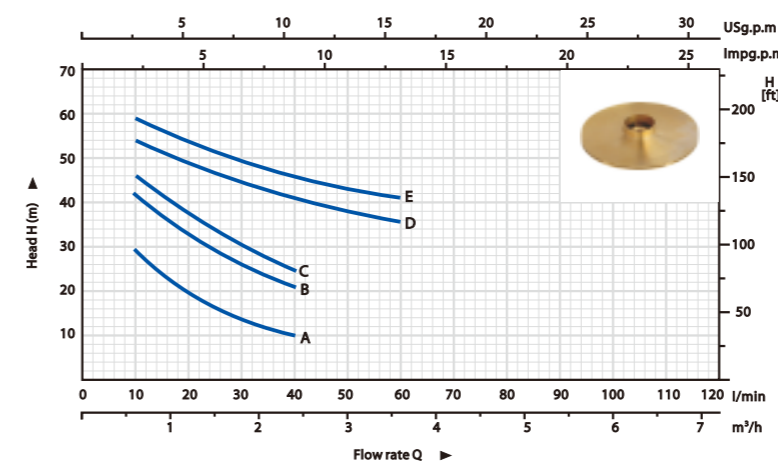
- ※ Pump body: Cast iron
- ※ Pump support: Cast iron
- ※ Motor housing: Aluminum
- ※ Impeller: Brass
- ※ Diffuser: Noryl
- ※ Motor shaft: Carbon steel, AISI304 SS if request
- ※ Mechanical seal: SIC/Graphite

Construction

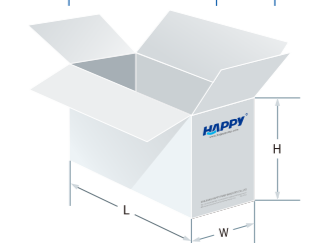


JSP

PERFORMANCE CHART AT n=2850RPM



NO.	MODEL	INLET/OUTLET (Inch)	N.W (Kg)	L×W×H (mm)
A	JSP-60	1"×1"	13	460×210×230
B	JSP-80	1"×1"	14	460×210×230
C	JSP-100	1"×1"	15	460×210×230
D	JSP-150	1¼"×1"	25	520×235×270
E	JSP-200	1½"×1"	26	520×235×270



NO.	MODEL	POWER		Q(m³/h)	Q(l/min)	0	0.6	1.2	1.8	2.4	3.0	3.6
		kW	HP									
A	JSP-60	0.37	0.5	H	35	29	20	13	10			
B	JSP-80	0.55	0.75		48	42	33	25.5	21			
C	JSP-100	0.75	1		53	46	38	30	24.5			
D	JSP-150	1.1	1.5		61	54	49	44.5	41	38	35.5	
E	JSP-200	1.5	2		65	59	53.5	49.5	46	43	41	

HJ

Self-priming Jet pumps



Application

Suitable for use with clean water and liquids that are not chemically aggressive towards the materials from which the pump is made.

The self-priming jet pumps are designed to pump water even in cases where air is present. As a result of their reliability and the fact that they are easy to use, and recommended for use in domestic applications such as the distribution of water in combination with small or medium sized pressure sets, and for the irrigation of gardens and allotments, etc.

The pump should be installed in an enclosed environment, or at least sheltered from inclement weather.

Motor

- ※ Two-pole induction motor(n=2850 r.p.m)
- ※ Insulation Class B
- ※ Protection IP44
- ※ Continuous service S1
- ※ Thermal protector for single phase
- ※ Single-phase 220V/50Hz, 60Hz if request
- Three-phase 380V/50Hz, 60Hz if request

Operating conditions

- ※ Liquid temperature up to 60°C
- ※ Ambient temperature up to 40°C
- ※ Total suction lift up to 9m

Component

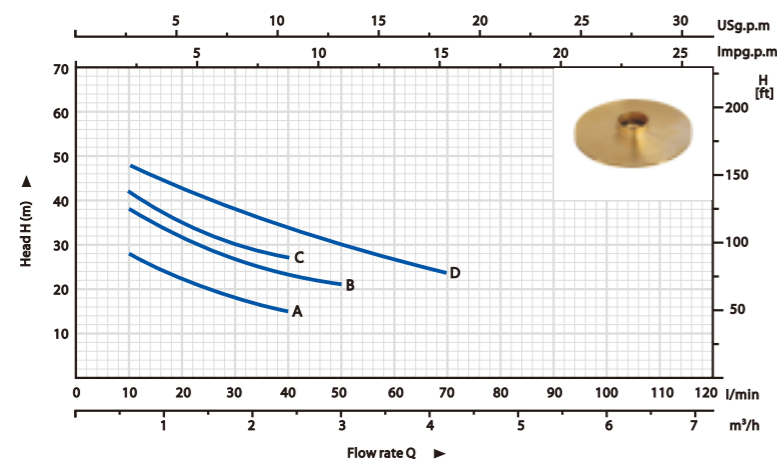
- ※ Pump body: Cast iron
- ※ Pump support: Cast iron
- ※ Motor housing: Aluminum
- ※ Impeller: Brass
- ※ Diffuser: Noryl
- ※ Motor shaft: Carbon steel, AISI304 SS if request
- ※ Mechanical seal: Ceramic/Graphite (0.5HP), SIC/Graphite

Construction

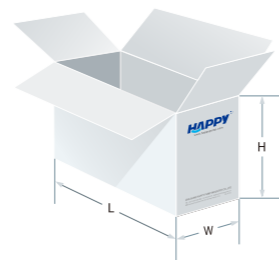


HJ

PERFORMANCE CHART AT n=2850RPM



NO.	MODEL	INLET/OUTLET (Inch)	N.W (Kg)	L×W×H (mm)
A	HJ-6M	1"×1"	8.5	380×180×205
B	HJ-10M	1"×1"	14	445×210×235
C	HJ-10H	1"×1"	14	445×210×235
D	HJ-15M	1"×1"	18	460×210×235



NO.	MODEL	POWER		Q(m³/h)	0	0.6	1.2	1.8	2.4	3.0	3.6	4.2
		kW	HP									
A	HJ-6M	0.37	0.5	H	35	28	22	18	15			
B	HJ-10M	0.75	1		43	38	31.5	27	23.5	21		
C	HJ-10H	0.75	1		51	42	35	30	27			
D	HJ-15M	1.1	1.5		52	48	42.5	38	34	30	27	23.5

JET-S

Self-priming Jet pumps



Application

Suitable for use with clean water and liquids that are not chemically aggressive towards the materials from which the pump is made.

The self-priming jet pumps are designed to pump water even in cases where air is present. As a result of their reliability and the fact that they are easy to use, and recommended for use in domestic applications such as the distribution of water in combination with small or medium sized pressure sets, and for the irrigation of gardens and allotments, etc.

The pump should be installed in an enclosed environment, or at least sheltered from inclement weather.

Motor

- ※ Two-pole induction motor(n=2850 r.p.m)
- ※ Insulation Class B
- ※ Protection IP44
- ※ Continuous service S1
- ※ Thermal protector for single phase
- ※ Single-phase 220V/50Hz, 60Hz if request
- Three-phase 380V/50Hz, 60Hz if request

Operating conditions

- ※ Liquid temperature up to 60°C
- ※ Ambient temperature up to 40°C
- ※ Total suction lift up to 9m

Component

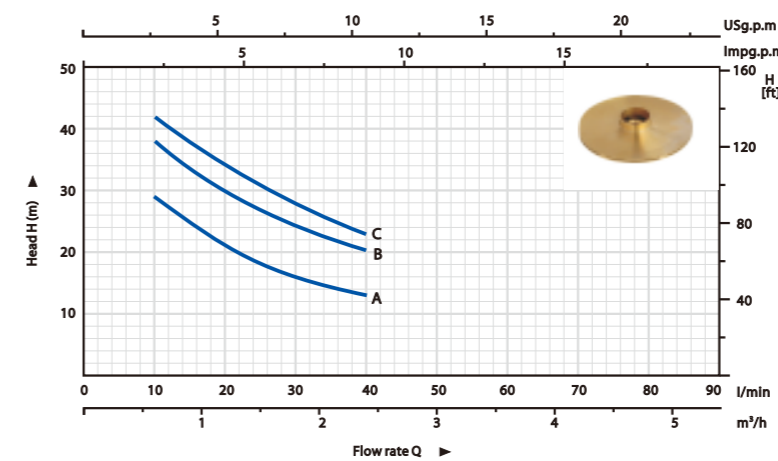
- ※ Pump body: Cast iron
- ※ Pump support: Cast iron
- ※ Motor housing: Aluminum
- ※ Impeller: Brass
- ※ Diffuser: Noryl
- ※ Motor shaft: Carbon steel, AISI304 SS if request
- ※ Mechanical seal: Ceramic/Graphite (0.5HP), SIC/Graphite

Construction

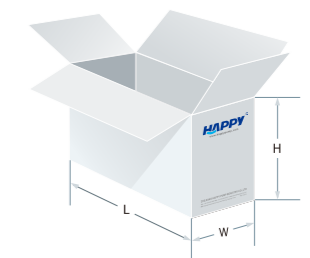


JET-S

PERFORMANCE CHART AT n=2850RPM



NO.	MODEL	INLET/OUTLET (Inch)	N.W (Kg)	L×W×H (mm)
A	JET-60S	1"×1"	10	355×180×195
B	JET-80S	1"×1"	13	390×200×230
C	JET-100S	1"×1"	14	390×200×230



NO.	MODEL	POWER		Q(m³/h)	0	0.6	1.2	1.8	2.4
		kW	HP						
A	JET-60S	0.37	0.5	H	35	29	21	16	13
B	JET-80S	0.55	0.75		42	38	30	24	20
C	JET-100S	0.75	1		45	42	34	28	23

JETDP

Deep well self-priming Jet pumps



Application

Deep well self-priming water pumps installed above ground with the jet body submerged guarantees function even when the static level of the well water falls as far as 35 meters below the level of the installed pump. So they are extremely reliable, economical and simple to use and find many usages in domestic applications and the automatic distribution of water from small and medium-sized surge tanks, watering gardens, etc.

In all cases where the suction depth exceeds the normal capacity for surface pumps. Suitable for pumping clean water and liquid which are not chemically aggressive to the pump components. The pump should be installed in an enclosed environment, or at least sheltered from inclement weather.

Motor

- ※ Two-pole induction motor (n=2850 r.p.m)
- ※ Insulation Class B
- ※ Protection IP44
- ※ Continuous service S1
- ※ Thermal protector for single phase
- ※ Single-phase 220V/50Hz, 60Hz if request
- ※ Three-phase 380V/50Hz, 60Hz if request

Operating conditions

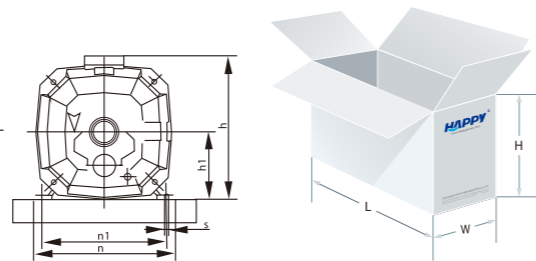
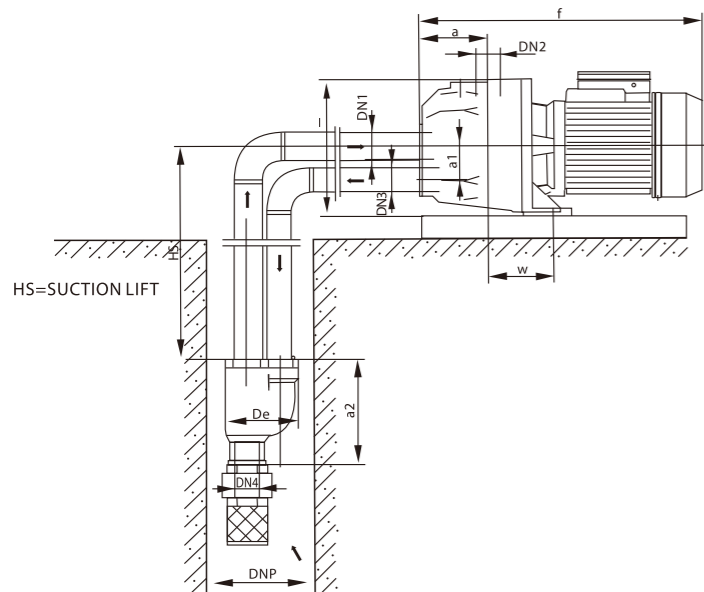
- ※ Liquid temperature up to 60°C
- ※ Ambient temperature up to 40°C

Component

- ※ Pump body: Cast iron
- ※ Pump support: Cast iron
- ※ Motor housing: Aluminum
- ※ Impeller: Brass
- ※ Diffuser: Noryl
- ※ Motor shaft: Carbon steel, AISI304 SS if request
- ※ Mechanical seal: SIC/Graphite

Construction

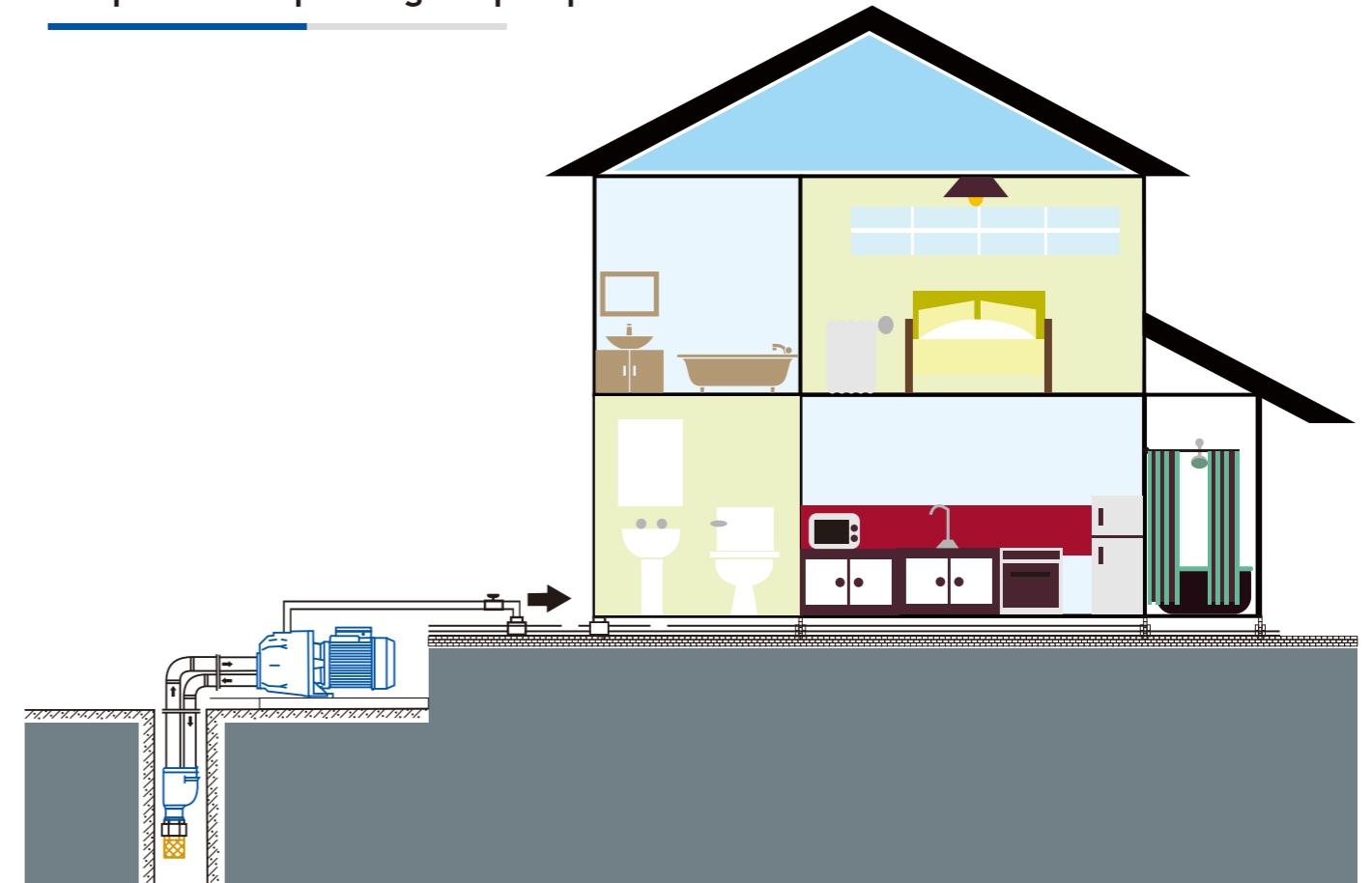
WATER PUMP WITH INTEGRAL EJCTOR



NO.	MODEL	INLET/OUTLET (Inch)	N.W (Kg)	L×W×H (mm)
A	JETDP-255	(1 1/4"×1")×1"	13.5	490×210×230
B	JETDP-370	(1 1/2"×1")×1"	14.5	490×210×230
C	JETDP-550	(1 3/4"×1")×1"	16	490×210×230

JETDP

Deep well self-priming Jet pumps



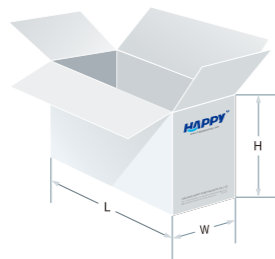
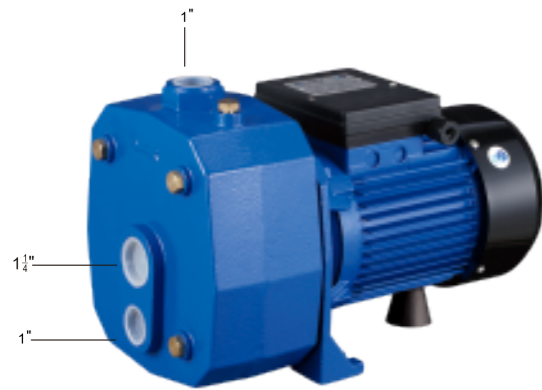
NO.	MODEL	POWER		Q(l/h)	HS(m)	TOTAL MANOMETRIC HEAD IN MERTES(m)														
		kW	HP			0	120	240	360	480	600	840	960	1080	1200	1320	1440	1560	1680	1800
A1	JETDP-255	0.37	0.5	15	26	23	21	18	15	13	11	10	8	7						
B1	JETDP-370	0.55	0.75		39	35	32	29	27	23	21	19	17	15	14	13				
C1	JETDP-550	0.75	1		50	46	43	40	37	34	32	28	26	24	22	20	19	18	17	
B2	JETDP-370	0.55	0.75	20	30	27	23	20	16	13	10									
C2	JETDP-550	0.75	1		39	35	32	30	27	25	23	20	17							
B3	JETDP-370	0.55	0.75	25	23	20	17	15												
C3	JETDP-550	0.75	1		32	29	25	22	20											
B4	JETDP-370	0.55	0.75	30	16	13	11													
C4	JETDP-550	0.75	1		25	23	20	17												
C5	JETDP-550	0.75	1	35	18	16	15													



NO.	MODEL	DNP	Dn1	Dn2	Dn3	Dn4	DE	DIMENSION(mm)															
								a	a1	a2	f	f1	h	h1	l	n	n1	w	s				
A	JETDP-255																						
B	JETDP-370	4"	1 1/4"	1"	1"	1"	97	91	45	142	375	515	193	94	177	184	142	100	10				
C	JETDP-550																						

DP-A

Deep well self-priming Jet pumps



Application

Deep well self-priming water pumps installed above ground with the jet body submerged guarantees function even when the static level of the well water falls as far as 35 meters below the level of the installed pump. So they are extremely reliable, economical and simple to use and find many usages in domestic applications and the automatic distribution of water from small and medium-sized surge tanks, watering gardens, etc.

In all cases where the suction depth exceeds the normal capacity for surface pumps. Suitable for pumping clean water and liquid which are not chemically aggressive to the pump components. The pump should be installed in an enclosed environment, or at least sheltered from inclement weather.

Motor

- ※ Two-pole induction motor(n=2850 r.p.m)
- ※ Insulation Class B
- ※ Protection IP44
- ※ Continuous service S1
- ※ Thermal protector for single phase
- ※ Single-phase 220V/50Hz, 60Hz if request
- ※ Three-phase 380V/50Hz, 60Hz if request

Operating conditions

- ※ Liquid temperature up to 60°C
- ※ Ambient temperature up to 40°C

Component

- ※ Pump body: Cast iron
- ※ Pump support: Cast iron
- ※ Motor housing: Aluminum
- ※ Impeller: Brass
- ※ Diffuser: Noryl
- ※ Motor shaft: Carbon steel, AISI304 SS if request
- ※ Mechanical seal: SIC/Graphite

Construction

NO.	MODEL	INLET/OUTLET (Inch)	N.W (Kg)	L×W×H (mm)
A	DP-505A	(1 1/4"×1")×1"	26	505×255×290
B	DP-750A	(1 1/4"×1")×1"	27	505×255×290

NO.	MODEL	POWER		Q(l/h) HS(m)	TOTAL MANOMETRIC HEAD IN METERS(m)															
		kW	HP		0	120	240	360	480	600	840	960	1080	1200	1320	1440	1560	1680	1800	
A1	DP-505A	1.1	1.5	15	55	52	49	46	42	38	34	30	28	23	20	18				
B1	DP-750A	1.5	2		70	68	62	58	53	50	47	44	41	28	35	32	30	28	26	
A2	DP-505A	1.1	1.5	20	50	47	43	40	35	32	28	25	22							
B2	DP-750A	1.5	2		65	60	56	52	48	45	42	38	35							
A3	DP-505A	1.1	1.5	25	40	35	32	28	25	21	19									
B3	DP-750A	1.5	2		60	55	50	45	43	40	35	32								
A4	DP-505A	1.1	1.5	30	35	32	28	25	22											
B4	DP-750A	1.5	2		55	50	46	42	40	36										
A5	DP-505A	1.1	1.5	35	30	27	24	20												
B5	DP-750A	1.5	2		50	46	41	37												



SJET

Garden Jet pumps



Application

Suitable for use with clean water and liquids that are not chemically aggressive towards the materials from which the pump is made.

The self-priming jet pumps are designed to pump water even in cases where air is present. As a result of their reliability and the fact that they are easy to use, they are recommended for use in domestic applications such as the distribution of water in combination with small or medium sized pressure sets, and for the irrigation of gardens and allotments, etc. The pump should be installed in an enclosed environment, or at least sheltered from inclement weather.

Motor

- ※ Two-pole induction motor(n=2850 r.p.m)
- ※ Insulation Class B
- ※ Protection IP44
- ※ Continuous service S1
- ※ Thermal protector for single phase
- ※ Single-phase 220V/50Hz, 60Hz if request
- ※ Three-phase 380V/50Hz, 60Hz if request

Operating conditions

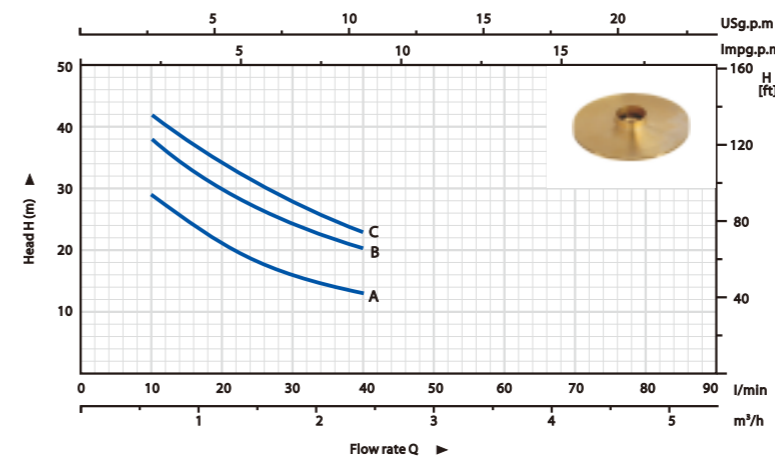
- ※ Liquid temperature up to 60°C
- ※ Ambient temperature up to 40°C
- ※ Total suction lift up to 9m

Component

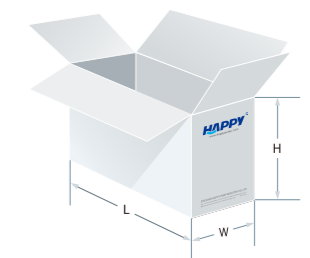
- ※ Pump body: AISI304 SS
- ※ Pump support: Aluminum
- ※ Motor housing: Aluminum
- ※ Impeller: Brass, AISI304 SS if request
- ※ Diffuser: Noryl
- ※ Motor shaft: AISI304 SS
- ※ Mechanical seal: SIC/Graphite

Construction

PERFORMANCE CHART AT n=2850RPM



NO.	MODEL	INLET/OUTLET (Inch)	N.W (Kg)	L×W×H (mm)
A	SJET-60B/C	1"×1"	7	410×220×235
B	SJET-80B/C	1"×1"	7.5	410×220×235
C	SJET-100B/C	1"×1"	8.5	410×220×235



NO.	MODEL	POWER		Q(m³/h) Q(l/min)	0	0.6	1.2	1.8	2.4
		kW	HP						
A	SJET-60B/C	0.37	0.5	H	35	29	21	16	13
B	SJET-80B/C	0.55	0.75		42	38	30	24	20
C	SJET-100B/C	0.75	1		45	42	34	28	23

QDP-A/B

Submersible pumps



Application

Suitable for use with **clean water** that does not contain abrasive particles. As a result of their reliability and the fact that they are easy to use, and suitable for use in applications such as domestic, gardening, irrigation and emptying tanks.

Motor

- ※ Two-pole induction motor(n=2850 r.p.m)
- ※ Insulation Class B
- ※ Protection IP68
- ※ Continuous service S1
- ※ Thermal protector
- ※ Single-phase 220V/50Hz, 60Hz if request

Operating conditions

- ※ 3m maximum immersion depth
- ※ Liquid temperature up to 35°C
- ※ Maximum ambient temperature 40°C

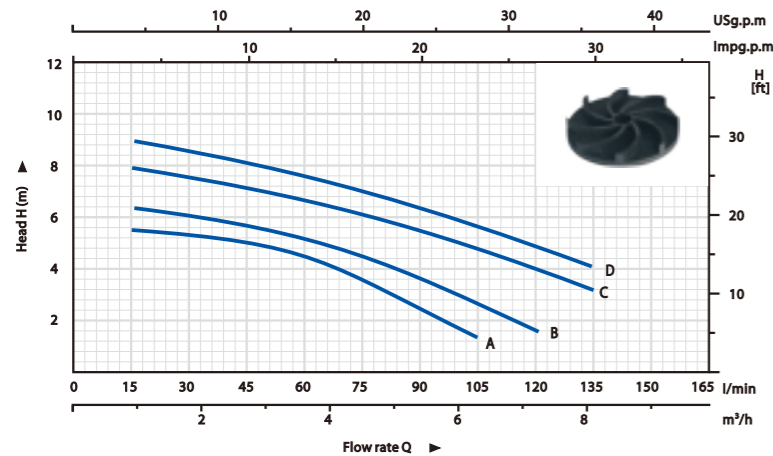
Component

- ※ Pump body: Technopolymer
- ※ Suction filter: Technopolymer
- ※ Impeller: Noryl
- ※ Motor shaft: AISI304 SS, AISI416 SS for QDP-B
- ※ Mechanical seal: Ceramic/Graphite
- ※ Cable: 6m power cable with plug

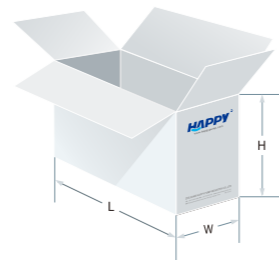
Construction

- Technopolymer
- Technopolymer
- Noryl
- AISI304 SS, AISI416 SS for QDP-B
- Ceramic/Graphite
- 6m power cable with plug

PERFORMANCE CHART AT n=2850RPM



NO.	MODEL	OUTLET	N.W	L×W×H
		(Inch)	(Kg)	(mm)
A	QDP-250A/B	1½"	4.1	215×180×325
B	QDP-400A/B	1½"	4.3	215×180×325
C	QDP-550A/B	1½"	4.5	215×180×325
D	QDP-750A/B	1½"	5	215×180×325



NO.	MODEL	POWER		Q(m³/h)	Flow rate Q (l/min)													
		kW	HP		0	0.9	1.8	2.7	3.6	4.5	5.4	6.3	7.2	8.1				
A	QDP-250A/B	0.25	0.34	H	6	5.5	5.3	5	4.4	3.5	2.6	1.2						
B	QDP-400A/B	0.4	0.55		7	6.5	6	5.5	5	4.5	3.8	2.8	1.5					
C	QDP-550A/B	0.55	0.75		9	8	7.5	7	6.5	6	5.5	5	4	3				
D	QDP-750A/B	0.75	1		10	9	8.5	8	7.5	7	6.5	5.6	4.8	4				

QDP-AW/BW

Submersible sewage pumps



Application

Suitable for use with **dirty water** that is not chemically aggressive towards the materials from which the pump is made. As a result of their reliability and the fact that they are easy to use, and suitable for use in applications such as clearing dirty water, discharging domestic waste water, and for emptying collection traps containing suspended solids up to a maximum of φ 8mm.

Motor

- ※ Two-pole induction motor(n=2850 r.p.m)
- ※ Insulation Class B
- ※ Protection IP68
- ※ Continuous service S1
- ※ Thermal protector
- ※ Single-phase 220V/50Hz, 60Hz if request

Operating conditions

- ※ 3m maximum immersion depth
- ※ Liquid temperature up to 35°C
- ※ Maximum ambient temperature 40°C

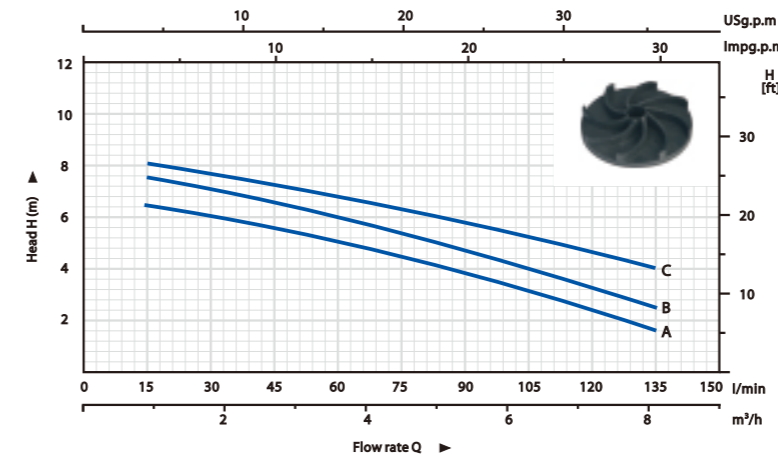
Component

- ※ Pump body: Technopolymer
- ※ Suction filter: Technopolymer
- ※ Impeller: Noryl
- ※ Motor shaft: AISI304 SS, AISI416 SS for QDP-BW
- ※ Mechanical seal: Ceramic/Graphite
- ※ Cable: 6m power cable with plug

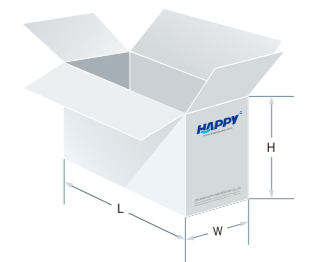
Construction

- Technopolymer
- Technopolymer
- Noryl
- AISI304 SS, AISI416 SS for QDP-BW
- Ceramic/Graphite
- 6m power cable with plug

PERFORMANCE CHART AT n=2850RPM



NO.	MODEL	OUTLET	N.W	L×W×H
		(Inch)	(Kg)	(mm)
A	QDP-400AW/BW	1½"	4.4	215×180×350
B	QDP-550AW/BW	1½"	4.7	215×180×350
C	QDP-750AW/BW	1½"	5.1	215×180×350



NO.	MODEL	POWER		Q(m³/h)	Flow rate Q (l/min)													
		kW	HP		0	0.9	1.8	2.7	3.6	4.5	5.4	6.3	7.2	8.1				
A	QDP-400AW/BW	0.4	0.55	H	7	6.5	6	5.5	5	4.5	3.8	3.2	2.5	1.5				
B	QDP-550AW/BW	0.55	0.75		8	7.5	7	6.5	6	5.4	4.8	4	3.2	2.5				
C	QDP-750AW/BW	0.75	1		8.5	8	7.7	7.2	6.7	6.3	5.8	5.3	4.7	4				

QDP-C

Submersible pumps



QDP-C

Application

Suitable for use with clean water that does not contain abrasive particles. As a result of their reliability and the fact that they are easy to use, and suitable for use in applications such as domestic, gardening, irrigation and emptying tanks.

Motor

- ※ Two-pole induction motor(n=2850 r.p.m)
- ※ Insulation Class B
- ※ Protection IP68
- ※ Continuous service S1
- ※ Thermal protector
- ※ Single-phase 220V/50Hz, 60Hz if request

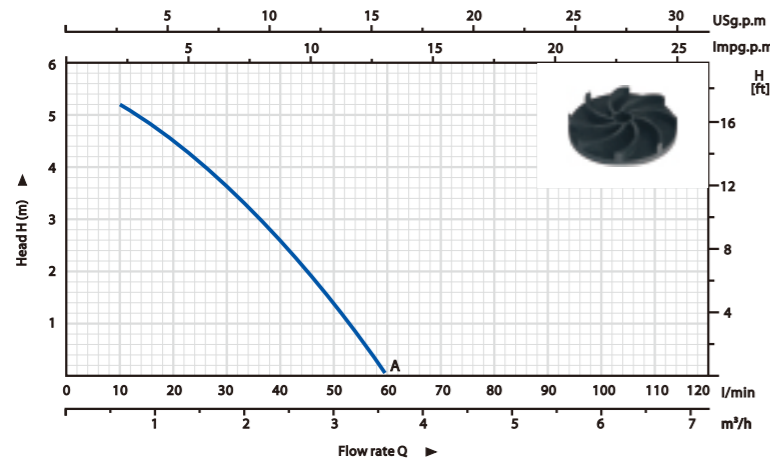
Operating conditions

- ※ 3m maximum immersion depth
- ※ Liquid temperature up to 35°C
- ※ Maximum ambient temperature 40°C

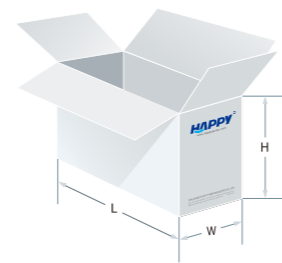
Component Construction

- ※ Pump body: Technopolymer
- ※ Suction filter: Technopolymer
- ※ Impeller: Noryl
- ※ Motor shaft: AISI416 SS
- ※ Mechanical seal: Ceramic/Graphite
- ※ Cable: 5m power cable with plug

PERFORMANCE CHART AT n=2850RPM



NO.	MODEL	OUTLET	N.W	L×W×H
		(Inch)	(Kg)	(mm)
A	QDP-250C	1"	3.8	170×170×320



NO.	MODEL	POWER		Q(m³/h)	0	0.6	1.2	1.8	2.4	3.0
		kW	HP							
A	QDP-250C	0.25	0.34	H	5.5	5.2	4.6	3.6	2.5	1.3

QDS90-S

Submersible pumps



QDS90-S

Application

Suitable for use with clean water that does not contain abrasive particles. As a result of their reliability and the fact that they are easy to use, and suitable for use in applications such as domestic, gardening, irrigation and emptying tanks.

Motor

- ※ Two-pole induction motor(n=2850 r.p.m)
- ※ Insulation Class B
- ※ Protection IP68
- ※ Continuous service S1
- ※ Thermal protector
- ※ Single-phase 220V/50Hz, 60Hz if request

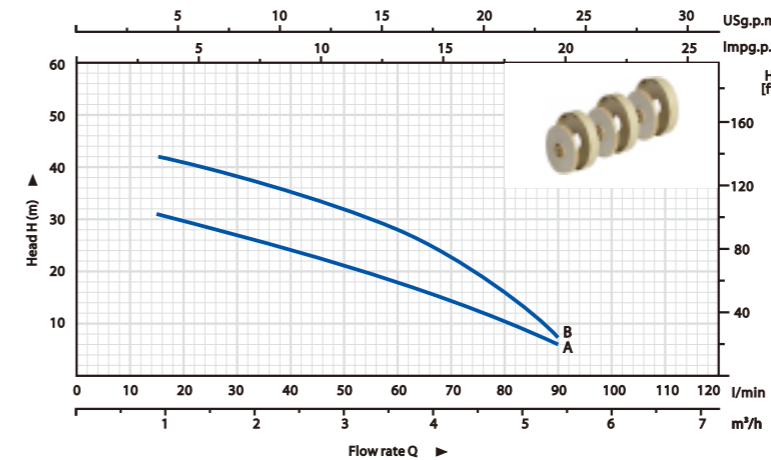
Operating conditions

- ※ 8m maximum immersion depth
- ※ Liquid temperature up to 35°C
- ※ Maximum ambient temperature 40°C

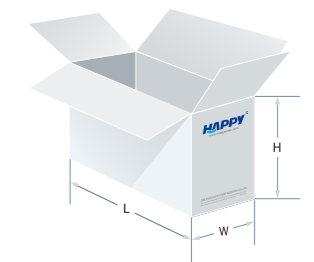
Component Construction

- ※ Suction filter: AISI304 SS
- ※ Impeller: Noryl, AISI304 SS if request
- ※ Motor shaft: AISI304 SS
- ※ Mechanical seal: Ceramic/Graphite
- ※ Cable: 12m power cable with plug

PERFORMANCE CHART AT n=2850RPM



NO.	MODEL	OUTLET	N.W	L×W×H
		(Inch)	(Kg)	(mm)
A	QDS90-3S	1"	15	161×152×460
B	QDS90-4S	1"	16.2	161×152×505



NO.	MODEL	POWER		Q(m³/h)	0	0.9	1.8	2.7	3.6	4.5	5.4
		kW	HP								
A	QDS90-3S	0.75	1	H	32	31	27	22	18	12.5	6
B	QDS90-4S	1.1	1.5	H	43	42	38	33	28	18	7

QDP90-S

Submersible pumps



QDP90-S

Application

Suitable for use with clean water that does not contain abrasive particles. As a result of their reliability and the fact that they are easy to use, and suitable for use in applications such as domestic, gardening, irrigation and emptying tanks.

Motor

- ※ Two-pole induction motor(n=2850 r.p.m)
- ※ Insulation Class B
- ※ Protection IP68
- ※ Continuous service S1
- ※ Thermal protector
- ※ Single-phase 220V/50Hz, 60Hz if request

Operating conditions

- ※ 8m maximum immersion depth
- ※ Liquid temperature up to 35°C
- ※ Maximum ambient temperature 40°C

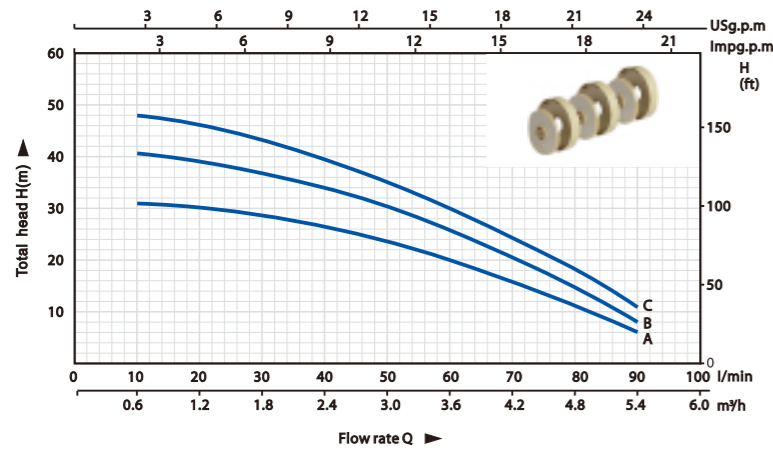
Component

- ※ Pump body: Technopolymer & AISI304 SS
- ※ Suction filter: AISI304 SS
- ※ Impeller: Noryl
- ※ Motor shaft: AISI304 SS
- ※ Mechanical seal: Ceramic/Graphite
- ※ Cable: 12m power cable with plug

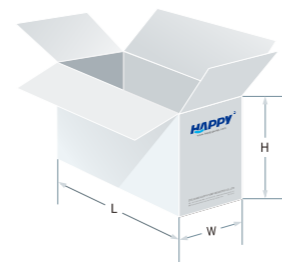
Construction

- Technopolymer & AISI304 SS
- AISI304 SS
- Noryl
- AISI304 SS
- Ceramic/Graphite
- 12m power cable with plug

PERFORMANCE CHART AT n=2850RPM



NO.	MODEL	OUTLET (Inch)	N.W (Kg)	L×W×H (mm)
A	QDP90-3S	1"	9.5	295×200×520
B	QDP90-4S	1"	10	295×200×545
C	QDP90-5S	1"	11	295×200×570



NO.	MODEL	POWER (IN) kW	Q(m³/h)	Q(l/min)	0	0.6	1.2	1.8	2.4	3.0	3.6	4.2	4.8	5.4
					0	10	20	30	40	50	60	70	80	90
A	QDP90-3S	0.8			32	31	29.5	28	26	23	20	16	11	6
B	QDP90-4S	1	H		42	40.5	38.5	36.5	34	30.5	26	20	14	8
C	QDP90-5S	1.2			50	48	46	43.5	40	35	30	24.5	18	11

QDP145-S

Submersible pumps



QDP145-S

Application

Suitable for use with clean water that does not contain abrasive particles. As a result of their reliability and the fact that they are easy to use, and suitable for use in applications such as domestic, gardening, irrigation and emptying tanks.

Motor

- ※ Two-pole induction motor(n=2850 r.p.m)
- ※ Insulation Class B
- ※ Protection IP68
- ※ Continuous service S1
- ※ Thermal protector
- ※ Single-phase 220V/50Hz, 60Hz if request

Operating conditions

- ※ 8m maximum immersion depth
- ※ Liquid temperature up to 35°C
- ※ Maximum ambient temperature 40°C

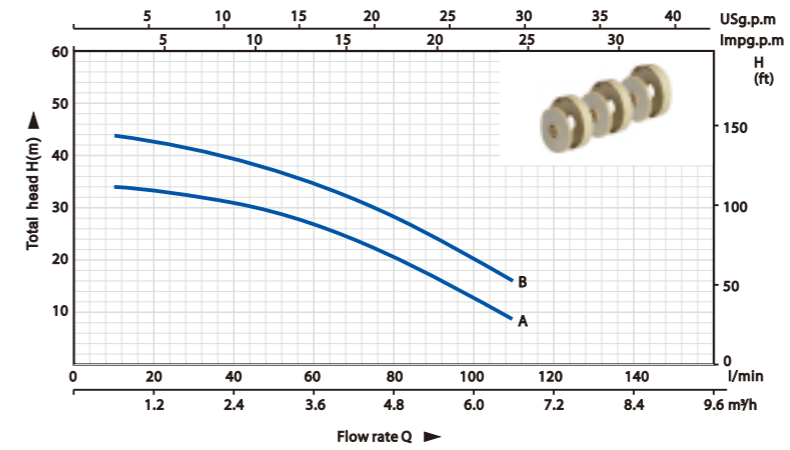
Component

- ※ Pump body: Technopolymer & AISI304 SS
- ※ Suction filter: AISI304 SS
- ※ Impeller: Noryl
- ※ Motor shaft: AISI304 SS
- ※ Mechanical seal: Ceramic/Graphite
- ※ Cable: 12m power cable with plug

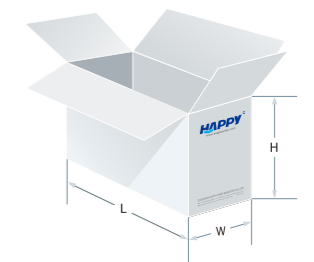
Construction

- Technopolymer & AISI304 SS
- AISI304 SS
- Noryl
- AISI304 SS
- Ceramic/Graphite
- 12m power cable with plug

PERFORMANCE CHART AT n=2850RPM



NO.	MODEL	OUTLET (Inch)	N.W (Kg)	L×W×H (mm)
A	QDP145-3S	1"	10	295×200×520
B	QDP145-4S	1"	10.5	295×200×545



NO.	MODEL	POWER (IN) kW	Q(m³/h)	Q(l/min)	0	0.6	1.2	1.8	2.4	3.0	3.6	4.2	4.8	5.4	6.0	6.6
					0	10	20	30	40	50	60	70	80	90	100	110
A	QDP145-3S	1			35	34	33	32	31	29.5	27	24	21	17	13	9
B	QDP145-4S	1.2	H		45	44	43	42	40	37.5	35	32	28	24	20	16

QDP90-SE

Automatic submersible pumps



QDP90-SE

Application

Suitable for use with clean water that does not contain abrasive particles. As a result of their reliability and the fact that they are easy to use, and suitable for use in applications such as domestic, gardening, irrigation and emptying tanks.

Motor

- ※ Two-pole induction motor(n=2850 r.p.m)
- ※ Insulation Class B
- ※ Protection IP68
- ※ Continuous service S1
- ※ Thermal protector
- ※ Single-phase 220V/50Hz, 60Hz if request

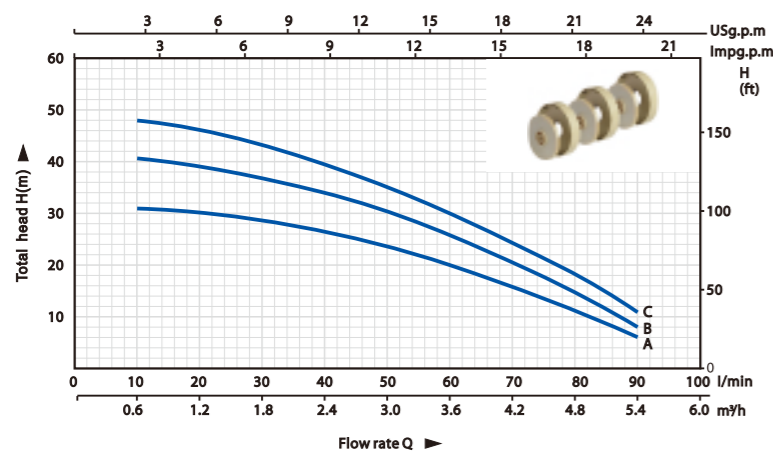
Operating conditions

- ※ 8m maximum immersion depth
- ※ Liquid temperature up to 35°C
- ※ Maximum ambient temperature 40°C

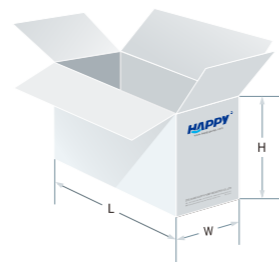
Component Construction

- ※ Pump body: Technopolymer & AISI304 SS
- ※ Suction filter: AISI304 SS
- ※ Impeller: Noryl
- ※ Motor shaft: AISI304 SS
- ※ Mechanical seal: Ceramic/Graphite
- ※ Cable: 12m power cable with plug

PERFORMANCE CHART AT n=2850RPM



NO.	MODEL	OUTLET (Inch)	N.W (Kg)	L×W×H (mm)
A	QDP90-3SE	1"	10.5	295×200×550
B	QDP90-4SE	1"	11	295×200×575
C	QDP90-5SE	1"	12	295×200×600



NO.	MODEL	POWER (IN) kW	Q(m ³ /h) Q(l/min)	0	0.6	1.2	1.8	2.4	3.0	3.6	4.2	4.8	5.4
				0	10	20	30	40	50	60	70	80	90
A	QDP90-3SE	0.8	H	32	31	29.5	28	26	23	20	16	11	6
B	QDP90-4SE	1	H	42	40.5	38.5	36.5	34	30.5	26	20	14	8
C	QDP90-5SE	1.2	H	50	48	46	43.5	40	35	30	24.5	18	11

QDP145-SE

Automatic submersible pumps



QDP145-SE

Application

Suitable for use with clean water that does not contain abrasive particles. As a result of their reliability and the fact that they are easy to use, and suitable for use in applications such as domestic, gardening, irrigation and emptying tanks.

Motor

- ※ Two-pole induction motor(n=2850 r.p.m)
- ※ Insulation Class B
- ※ Protection IP68
- ※ Continuous service S1
- ※ Thermal protector
- ※ Single-phase 220V/50Hz, 60Hz if request

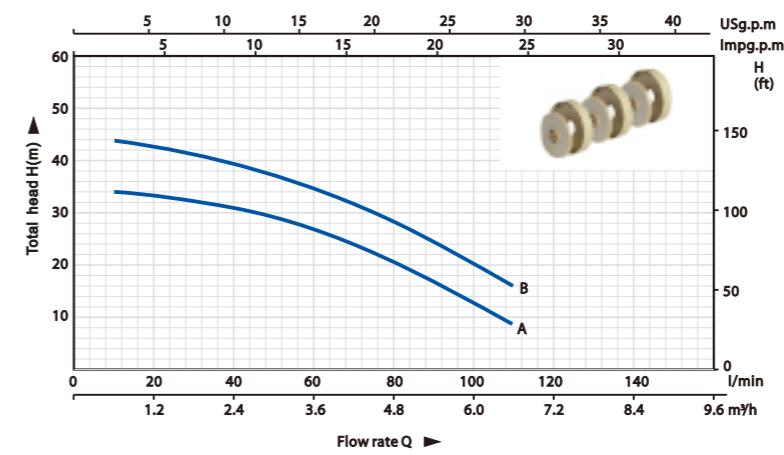
Operating conditions

- ※ 8m maximum immersion depth
- ※ Liquid temperature up to 35°C
- ※ Maximum ambient temperature 40°C

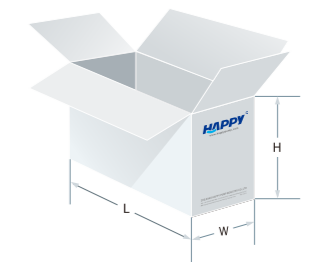
Component Construction

- ※ Pump body: Technopolymer & AISI304 SS
- ※ Suction filter: AISI304 SS
- ※ Impeller: Noryl
- ※ Motor shaft: AISI304 SS
- ※ Mechanical seal: Ceramic/Graphite
- ※ Cable: 12m power cable with plug

PERFORMANCE CHART AT n=2850RPM



NO.	MODEL	OUTLET (Inch)	N.W (Kg)	L×W×H (mm)
A	QDP145-3SE	1"	11	295×200×550
B	QDP145-4SE	1"	11.5	295×200×575



NO.	MODEL	POWER (IN) kW	Q(m ³ /h) Q(l/min)	0	0.6	1.2	1.8	2.4	3.0	3.6	4.2	4.8	5.4	6.0	6.6
				0	10	20	30	40	50	60	70	80	90	100	110
A	QDP145-3SE	1	H	35	34	33	32	31	29.5	27	24	21	17	13	9
B	QDP145-4SE	1.2	H	45	44	43	42	40	37.5	35	32	28	24	20	16

QDS-A/C/D

Submersible pumps



Application

Suitable for use with clean water that does not contain abrasive particles. As a result of their reliability and the fact that they are easy to use, and suitable for use in applications such as domestic, gardening, irrigation and emptying tanks.

Motor

- ※ Two-pole induction motor(n=2850 r.p.m)
- ※ Insulation Class B
- ※ Protection IP68
- ※ Continuous service S1
- ※ Thermal protector
- ※ Single-phase 220V/50Hz, 60Hz if request

Operating conditions

- ※ 3m maximum immersion depth
- ※ Liquid temperature up to 35°C
- ※ Maximum ambient temperature 40°C

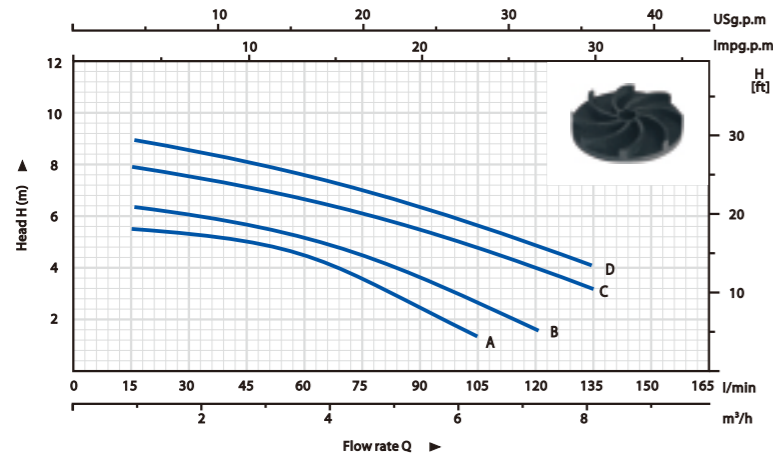
Component

- ※ Pump body: AISI304 SS
- ※ Suction filter: Technopolymer for QDS-A, AISI304 SS for QDS-C/D
- ※ Impeller: Noryl
- ※ Motor shaft: AISI304 SS
- ※ Mechanical seal: Ceramic/Graphite
- ※ Cable: 6m power cable with plug

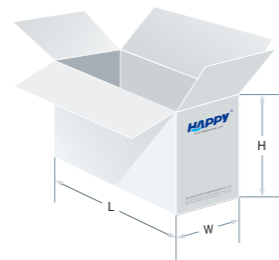
Construction

- ※ Pump body: AISI304 SS
- ※ Suction filter: Technopolymer for QDS-A, AISI304 SS for QDS-C/D
- ※ Impeller: Noryl
- ※ Motor shaft: AISI304 SS
- ※ Mechanical seal: Ceramic/Graphite
- ※ Cable: 6m power cable with plug

PERFORMANCE CHART AT n=2850RPM



NO.	MODEL	OUTLET (Inch)	N.W (Kg)	L×W×H (mm)
A	QDS-250A/C/D	1½"	4.4	205×175×320
B	QDS-370A/C/D	1½"	4.6	205×175×320
C	QDS-550A/C/D	1½"	5	205×175×320
D	QDS-750A/C/D	1½"	5.4	205×175×320



NO.	MODEL	POWER		Q(m³/h)	Q(l/min)	H												
		kW	HP			0	0.9	1.8	2.7	3.6	4.5	5.4	6.3	7.2	8.1			
A	QDS-250A/C/D	0.25	0.34	H	6	5.5	5.3	5	4.4	3.5	2.6	1.2						
B	QDS-370A/C/D	0.37	0.5		7	6.5	6	5.5	5	4.5	3.8	2.8	1.5					
C	QDS-550A/C/D	0.55	0.75		9	8	7.5	7	6.5	6	5.5	5	4	3				
D	QDS-750A/C/D	0.75	1		10	9	8.5	8	7.5	7	6.5	5.6	4.8	4				

QDS-CW/DW

Submersible sewage pumps



Application

Suitable for use with dirty water that is not chemically aggressive towards the materials from which the pump is made. As a result of their reliability and the fact that they are easy to use, and suitable for use in applications such as clearing dirty water, discharging domestic waste water, and for emptying collection traps containing suspended solids up to a maximum of φ 8mm.

Motor

- ※ Two-pole induction motor(n=2850 r.p.m)
- ※ Insulation Class B
- ※ Protection IP68
- ※ Continuous service S1
- ※ Thermal protector
- ※ Single-phase 220V/50Hz, 60Hz if request

Operating conditions

- ※ 3m maximum immersion depth
- ※ Liquid temperature up to 35°C
- ※ Maximum ambient temperature 40°C

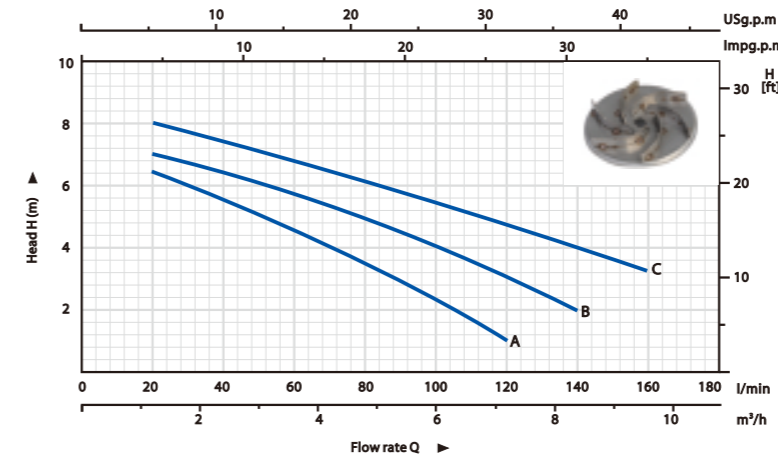
Component

- ※ Pump body: AISI304 SS
- ※ Suction filter: AISI304 SS
- ※ Impeller: AISI304 SS
- ※ Motor shaft: AISI304 SS
- ※ Mechanical seal: Ceramic/Graphite
- ※ Cable: 6m power cable with plug

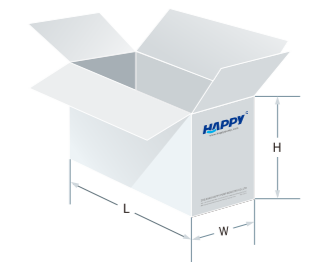
Construction

- ※ Pump body: AISI304 SS
- ※ Suction filter: AISI304 SS
- ※ Impeller: AISI304 SS
- ※ Motor shaft: AISI304 SS
- ※ Mechanical seal: Ceramic/Graphite
- ※ Cable: 6m power cable with plug

PERFORMANCE CHART AT n=2850RPM



NO.	MODEL	OUTLET (Inch)	N.W (Kg)	L×W×H (mm)
A	QDS-370CW/DW	1½"	6	215×195×410
B	QDS-550CW/DW	1½"	6.5	215×195×410
C	QDS-750CW/DW	1½"	6.8	215×195×410



NO.	MODEL	POWER		Q(m³/h)	Q(l/min)	H												
		kW	HP			0	1.2	2.4	3.6	4.8	6.0	7.2	8.4	9.6				
A	QDS-370CW/DW	0.37	0.5	H	7	6.5	5.5	4.5	3.5	2.4	1							
B	QDS-550CW/DW	0.55	0.75		8	7	6.5	5.8	5	4	3.1	2						
C	QDS-750CW/DW	0.75	1		9	8	7.5	6.8	6.1	5.5	4.8	4.1	3.2					

QDX-FA-3

Submersible pumps



QDX-FA-3

Application

Suitable for use with clean water that does not contain abrasive particles. As a result of their reliability and the fact that they are easy to use, and suitable for use in applications such as domestic, gardening, irrigation and emptying tanks.

Motor

- ※ Two-pole induction motor(n=2850 r.p.m)
- ※ Insulation Class B
- ※ Protection IP68
- ※ Continuous service S1
- ※ Thermal protector
- ※ Single-phase 220V/50Hz, 60Hz if request

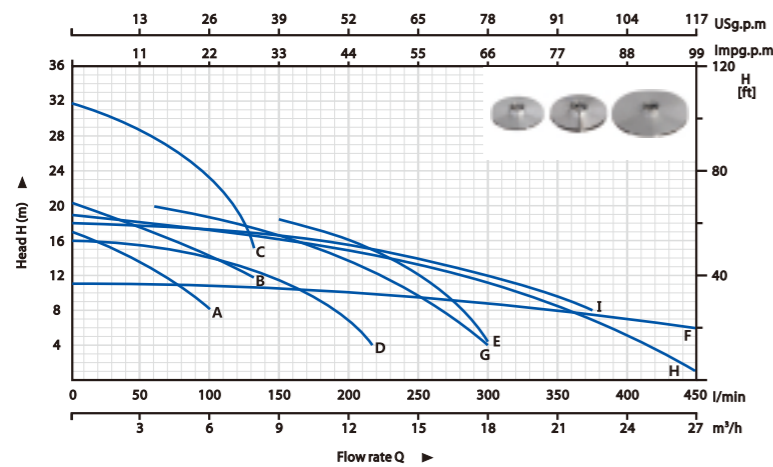
Operating conditions

- ※ 5m maximum immersion depth
- ※ Liquid temperature up to 35°C
- ※ Maximum ambient temperature 40°C

Component Construction

- ※ Pump body: Cast iron
- ※ Motor housing: Aluminum
- ※ Impeller: Aluminum
- ※ Motor shaft: Carbon steel, AISI304 SS if request
- ※ Mechanical seal: Ceramic/Graphite
- ※ Cable: 8m power cable with plug

PERFORMANCE CHART AT n=2850RPM



NO.	MODEL	OUTLET	N.W	L×W×H
		(Inch)	(Kg)	(mm)
A	QDX1.5-16-0.37FA-3	1"	9	190×150×390
B	QDX3-20-0.55FA-3	1"	12	210×160×415
C	QDX1.5-32-0.75FA-3	1"	13	225×180×430
D	QDX10-10-0.55FA-3	1½"	13	225×165×415
E	QDX7-18-0.75FA-3	1½"	14	225×165×420
F	QDX15-10-0.75FA-3	2½"	14.5	233×168×430
G	QDX10-16-0.75FA-3	2"	14	235×165×425
H	QDX15-15-1.1FA-3	2½"	15	250×175×445
I	QDX10-18-1.1FA-3	2"	15	240×175×450

NO.	MODEL	POWER		Q(m³/h)		Q(l/min)		Q(m³/h)		Q(l/min)	
		kW	HP	0	1.2	2.4	3.6	4.8	6.0	7.2	8.4
A	QDX1.5-16-0.37FA-3	0.37	0.5	17	16	15	13.5	11.2	8.2		
B	QDX3-20-0.55FA-3	0.55	0.75	H	20.5	20	19.5	18.5	17	14.5	12.5
C	QDX1.5-32-0.75FA-3	0.75	1		32	31	30	29	27.5	23	19

NO.	MODEL	POWER		Q(m³/h)		Q(l/min)		Q(m³/h)		Q(l/min)	
		kW	HP	0	4.5	9.0	13.5	18.0	22.5	27.0	31.5
D	QDX10-10-0.55FA-3	0.55	0.75		16	14	11.5	4			
E	QDX7-18-0.75FA-3	0.75	1		21	20	18.5	7.5	4.5		
F	QDX15-10-0.75FA-3	0.75	1		11	10.5	10	9.5	8.5	7.5	5.8
G	QDX10-16-0.75FA-3	0.75	1	H	21	19	17	12.5	4		
H	QDX15-15-1.1FA-3	1.1	1.5		18.5	17.8	16	14	11.5	7.3	1.5
I	QDX10-18-1.1FA-3	1.1	1.5		18	17.5	17	15	12	8	

QDX-FH

Submersible pumps



QDX-FH

Application

Suitable for use with clean water that does not contain abrasive particles. As a result of their reliability and the fact that they are easy to use, and suitable for use in applications such as domestic, gardening, irrigation and emptying tanks.

Motor

- ※ Two-pole induction motor(n=2850 r.p.m)
- ※ Insulation Class B
- ※ Protection IP68
- ※ Continuous service S1
- ※ Thermal protector
- ※ Single-phase 220V/50Hz, 60Hz if request

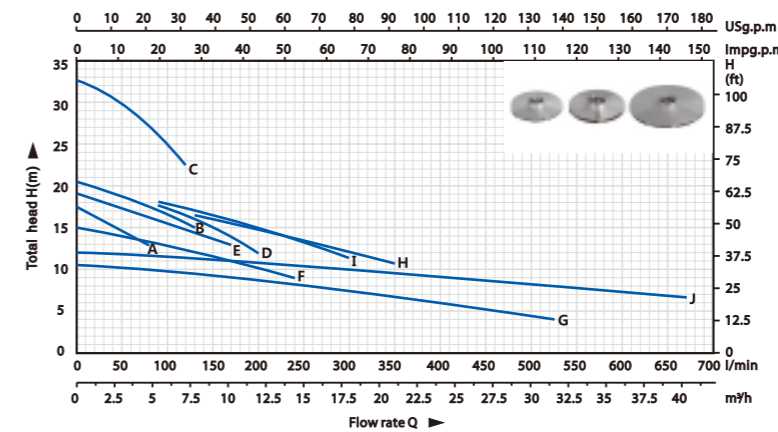
Operating conditions

- ※ 5m maximum immersion depth
- ※ Liquid temperature up to 35°C
- ※ Maximum ambient temperature 40°C

Component Construction

- ※ Pump body: Cast iron
- ※ Motor housing: Aluminum
- ※ Impeller: Aluminum
- ※ Motor shaft: Carbon steel, AISI304 SS if request
- ※ Mechanical seal: Ceramic/Graphite
- ※ Cable: 8m power cable with plug

PERFORMANCE CHART AT n=2850RPM



NO.	MODEL	OUTLET	N.W	L×W×H
		(Inch)	(Kg)	(mm)
A	QDX1.5-16-0.37FH	1"	9	415×240×210
B	QDX3-20-0.55FH	1"	12	430×250×225
C	QDX1.5-32-0.75FH	1"	14	425×240×225
D	QDX7-18-0.75FH	1½"	14	430×250×225
E	QDX10-16-0.75FH	2"	14	430×250×225
F	QDX15-10-0.75FH	2½"	14.5	430×250×225
G	QDX30-6-0.75FH	3"	16	490×265×225
H	QDX15-18-1.1FH	2"	15	490×265×225
I	QDX15-15-1.1FH	2½"	15	490×265×225
J	QDX40-7-1.1FH	3"	17	510×300×243

NO.	MODEL	POWER		Q(m³/h)		Q(l/min)		Q(m³/h)		Q(l/min)	
		kW	HP	0	1.2	2.4	3.6	4.8	6.0	7.2	8.4
A	QDX1.5-16-0.37FH	0.37	0.5		17.5	16.6	16	15	13		
B	QDX3-20-0.55FH	0.55	0.75	H	20.5	20	19.5	18.5	17.5	16.5	15.5
C	QDX1.5-32-0.75FH	0.75	1		32.5	31.5	30.5	29	27.5	25.5	23

NO.	MODEL	POWER		Q(m³/h)		Q(l/min)		Q(m³/h)		Q(l/min)	
		kW	HP	0	4.5	9.0	13.5	18.0	22.5	27.0	31.5
D	QDX7-18-0.75FH	0.75	1		20	19	15.5	10			
E	QDX10-16-0.75FH	0.75	1		19	17	14.5	11	8		
F	QDX15-10-0.75FH	0.75	1		15	14	12.5	10	7		
G	QDX30-6-0.75FH	0.75	1	H	10.5	10.2	10	9.5	9	7.5	6
H	QDX15-18-1.1FH	1.1	1.5		19	17.5	16	14.5	12	10	
I	QDX15-15-1.1FH	1.1	1.5		20	19.5	18	16	13.5	11	
J	QDX40-7-1.1FH	1.1	1.5		12	11.5	11.2	11	10.5	9.7	9.2

QDX-A

Submersible pumps



QDX-A

Application

Suitable for use in civil and agricultural applications. The high efficiency and continuous duty capabilities makes these pumps ideal for use in activities such as flood and spray irrigation, gardening, agriculture, drawing water from lakes, rivers and wells, or for any number of different industrial applications where the characteristics of high head and mid flow rates are required.

Motor

- ※ Two-pole induction motor(n=2850 r.p.m)
- ※ Insulation Class B
- ※ Protection IP68
- ※ Continuous service S1
- ※ Thermal protector for single phase
- ※ Single-phase 220V/50Hz, 60Hz if request
- ※ Three-phase 380V/50Hz, 60Hz if request

Operating conditions

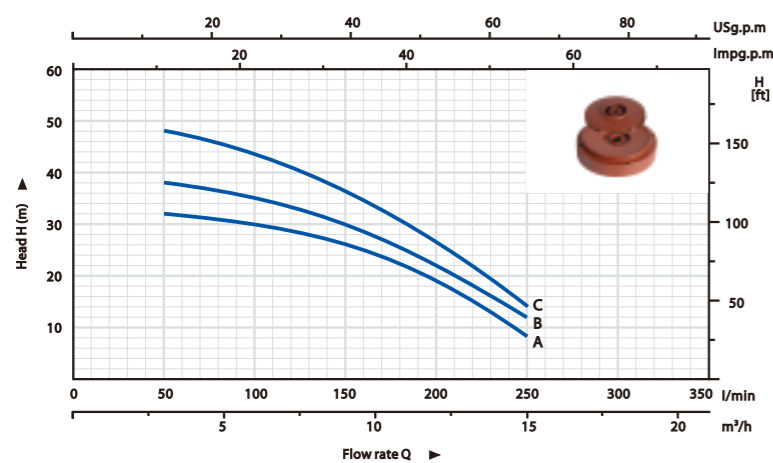
- ※ 8m maximum immersion depth
- ※ Liquid temperature up to 35°C
- ※ Maximum ambient temperature 40°C

Component

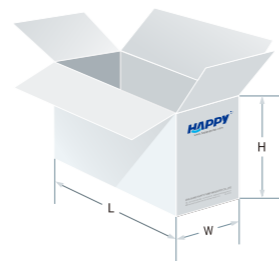
- ※ Pump body: Cast iron
- ※ Motor housing: AISI304 SS
- ※ Impeller: Cast iron
- ※ Motor shaft: AISI304 SS
- ※ Mechanical seal: Ceramic-Graphite + Ceramic-Graphite
- ※ Cable: 12m power cable with plug

Construction

PERFORMANCE CHART AT n=2850RPM



NO.	MODEL	OUTLET	N.W	L×W×H
		(Inch)	(Kg)	(mm)
A	QDX6-28/2-1.1A	2"	22	265×195×550
B	QDX6-39/3-1.5A	2"	27	265×195×610
C	QDX6-50/4-2.2A	2"	35	265×195×670



NO.	MODEL	POWER		Q(m³/h)	0	3.0	6.0	9.0	12.0	15.0
		kW	HP							
A	QDX6-28/2-1.1A	1.1	1.5	H	32.5	32	30	25.5	19	8.5
B	QDX6-39/3-1.5A	1.5	2	H	39.5	38.5	35	30	22.5	11.5
C	QDX6-50/4-2.2A	2.2	3	H	50	48	43.5	36	26.5	14

QDX145-SV

Submersible pumps



QDX145-SV

Application

Suitable for use in civil and agricultural applications. The high efficiency and continuous duty capabilities makes these pumps ideal for use in activities such as flood and spray irrigation, gardening, agriculture, drawing water from lakes, rivers and wells, or for any number of different industrial applications where the characteristics of high head and mid flow rates are required.

Motor

- ※ Two-pole induction motor(n=2850 r.p.m)
- ※ Insulation Class B
- ※ Protection IP68
- ※ Continuous service S1
- ※ Thermal protector for single phase
- ※ Single-phase 220V/50Hz, 60Hz if request
- ※ Three-phase 380V/50Hz, 60Hz if request

Operating conditions

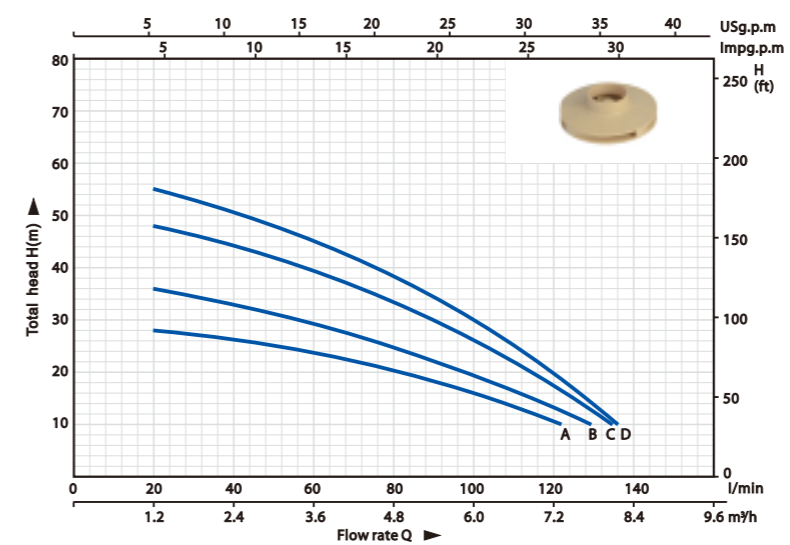
- ※ 8m maximum immersion depth
- ※ Liquid temperature up to 35°C
- ※ Maximum ambient temperature 40°C

Component

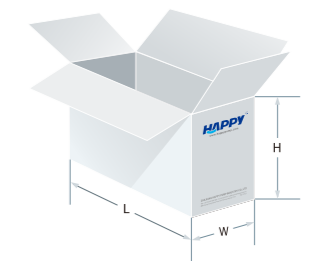
- ※ Pump body: Cast iron
- ※ Motor housing: AISI304 SS
- ※ Impeller: PPO
- ※ Motor shaft: AISI304 SS
- ※ Mechanical seal: SIC-SIC/Ceramic-Graphite + Ceramic-Graphite
- ※ Cable: 12m power cable with plug

Construction

PERFORMANCE CHART AT n=2850RPM



NO.	MODEL	OUTLET	N.W	L×W×H
		(Inch)	(Kg)	(mm)
A	QDX145-3SV	2"	17.9	215×151×510
B	QDX145-4SV	2"	20.3	215×151×550
C	QDX145-5SV	2"	24	215×151×605
D	QDX145-6SV	2"	26.5	215×151×655



NO.	MODEL	POWER		Q(m³/h)	0	1.2	2.4	3.6	4.8	6.0	7.2	7.8	8.7
		kW	HP										
A	QDX145-3SV	0.75	1	H	31.5	28	25	23	19	16	10	7	2.5
B	QDX145-4SV	1.1	1.5	H	40.5	36	33	30	26	18	12	11	2.5
C	QDX145-5SV	1.5	2	H	50	48	43	40	33	28	19	13	2.5
D	QDX145-6SV	2.2	3	H	60	55	51	47	38	33	19	13	2.5

WQD-B

Submersible sewage pumps



WQD750-B

WQD250-B

Application

Suitable for use with dirty water that is not chemically aggressive towards the materials from which the pump is made.

As a result of their reliability and the fact that they are easy to use, and suitable for use in applications such as clearing dirty water, discharging domestic waste water, and for emptying collection traps containing partical up to a maximum of ϕ 10mm.

Motor

- ※ Two-pole induction motor(n=2850 r.p.m)
- ※ Insulation Class B
- ※ Protection IP68
- ※ Continuous service S1
- ※ Thermal protector for single phase
- ※ Single-phase 220V/50Hz, 60Hz if request
- ※ Three-phase 380V/50Hz, 60Hz if request

Operating conditions

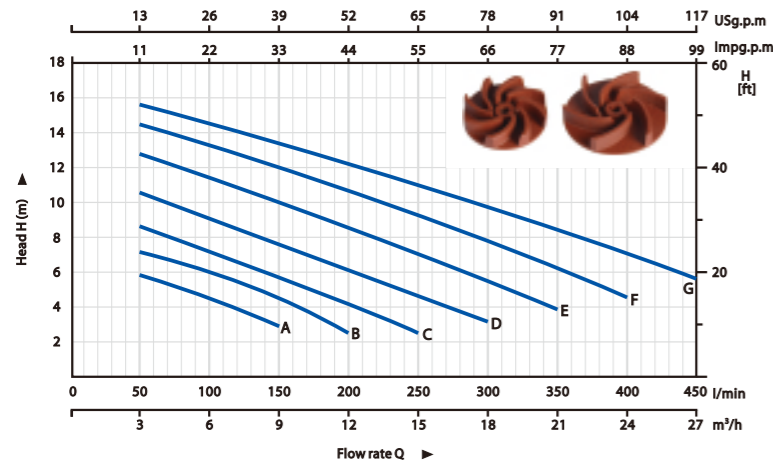
- ※ 5m maximum immersion depth
- ※ Liquid temperature up to 35°C
- ※ Maximum ambient temperature 40°C

Component

- ※ Pump body: Cast iron
- ※ Motor housing: AISI304 SS
- ※ Impeller: Cast iron
- ※ Motor shaft: AISI304 SS
- ※ Mechanical seal: SIC-SIC/Ceramic-Graphite
- ※ Cable: 6m power cable with plug

Construction

PERFORMANCE CHART AT n=2850RPM



NO.	MODEL	OUTLET (Inch)	N.W (Kg)	L×W×H (mm)
A	WQD250-B	1 1/4"	7.5	265×220×365
B	WQD370-B	1 1/4"	8.5	265×220×380
C	WQD550-B	2"	13	265×220×435
D	WQD750-B	2"	14	265×220×485
E	WQD1100-B	2"	16	265×220×500
F	WQD1500-B	2"	19	265×220×515
G	WQD2200-B	2"	21	265×220×530

NO.	MODEL	POWER		Q(m³/h)	Flow rate Q (m³/h)												
		kW	HP		0	3	6	9	12	15	18	21	24	27			
A	WQD250-B	0.25	0.34	H	7	6	4.5	2.8									
B	WQD370-B	0.37	0.5		8	7	6	4.2	2.5								
C	WQD550-B	0.55	0.75		10	8	7	5.5	3.5	2.5							
D	WQD750-B	0.75	1		12	10	9	7.5	6.5	4.5	3						
E	WQD1100-B	1.1	1.5		14	12	11	10	8.5	7.5	5.5	3.8					
F	WQD1500-B	1.5	2		15.5	14.3	13	12	11	9	8	6.5	4.6				
G	WQD2200-B	2.2	3		16.5	15.5	14.5	14	13	11	10.5	9	7.5	5.7			

WQD-D

Submersible sewage pumps



WQD550-D

WQD370-D

Application

Suitable for use with dirty water that is not chemically aggressive towards the materials from which the pump is made.

As a result of their reliability and the fact that they are easy to use, and suitable for use in applications such as clearing dirty water, discharging domestic waste water, and for emptying collection traps containing partical up to a maximum of ϕ 10mm.

Motor

- ※ Two-pole induction motor(n=2850 r.p.m)
- ※ Insulation Class B
- ※ Protection IP68
- ※ Continuous service S1
- ※ Thermal protector for single phase
- ※ Single-phase 220V/50Hz, 60Hz if request
- ※ Three-phase 380V/50Hz, 60Hz if request

Operating conditions

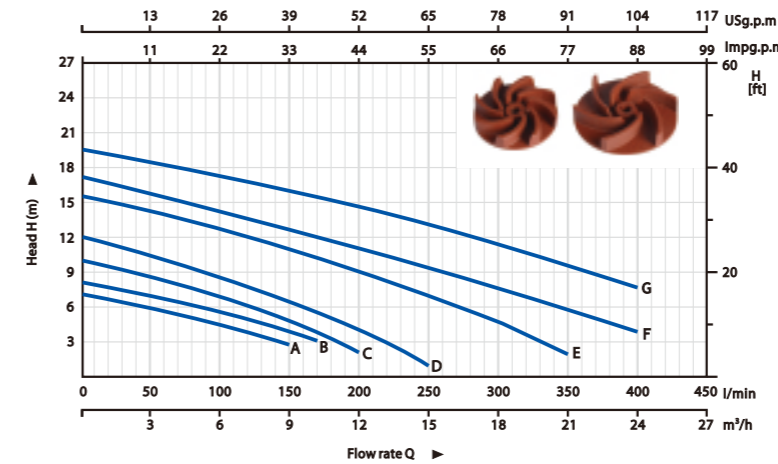
- ※ 5m maximum immersion depth
- ※ Liquid temperature up to 35°C
- ※ Maximum ambient temperature 40°C

Component

- ※ Pump body: Cast iron
- ※ Motor housing: AISI304 SS
- ※ Impeller: Cast iron
- ※ Motor shaft: AISI304 SS
- ※ Mechanical seal: SIC-SIC/Ceramic-Graphite
- ※ Cable: 6m power cable with plug

Construction

PERFORMANCE CHART AT n=2850RPM



NO.	MODEL	OUTLET (Inch)	N.W (Kg)	L×W×H (mm)
A	WQD250-D	1 1/4"	8	195×140×395
B	WQD370-D	1 1/4"	9	195×140×415
C	WQD550-D	2"	14.5	245×165×430
D	WQD750-D	2"	15.3	245×165×440
E	WQD1100-D	2"	17	245×165×450
F	WQD1500-D	2"	20	245×165×475
G	WQD2200-D	2"	21	245×165×495

NO.	MODEL	POWER		Q(m³/h)	Flow rate Q (m³/h)												
		kW	HP		0	3	6	9	12	15	18	21	24	27			
A	WQD250-D	0.25	0.34	H	7	6	4.5	2.8									
B	WQD370-D	0.37	0.5		8	7	6	4.2	2								
C	WQD550-D	0.55	0.75		10	8.7	7.1	5	2.5								
D	WQD750-D	0.75	1		12	10.5	8.8	5.2	4.8	1.2							
E	WQD1100-D	1.1	1.5		15.5	14.5	12.5	11	9	7	4.7	2					
F	WQD1500-D	1.5	2		17	15	13.5	13	12	9.5	8	6	4				
G	WQD2200-D	2.2	3		19.5	18	17	16	15	13.5	11	9	8	5.2			

H800F-B~H2250F-B

Submersible sewage pumps



H800F-B

Application

Suitable for use with **dirty water** that is not chemically aggressive towards the materials from which the pump is made.

As a result of their reliability and the fact that they are easy to use, and suitable for use in applications such as clearing dirty water, discharging domestic waste water, and for emptying collection traps containing partical up to a maximum of ϕ 30mm.

Motor

- ※ Two-pole induction motor(n=2850 r.p.m)
- ※ Insulation Class B
- ※ Protection IP68
- ※ Continuous service S1
- ※ Thermal protector for single phase
- ※ Single-phase 220V/50Hz, 60Hz if request
- ※ Three-phase 380V/50Hz, 60Hz if request

Operating conditions

- ※ 5m maximum immersion depth
- ※ Liquid temperature up to 35°C
- ※ Maximum ambient temperature 40°C

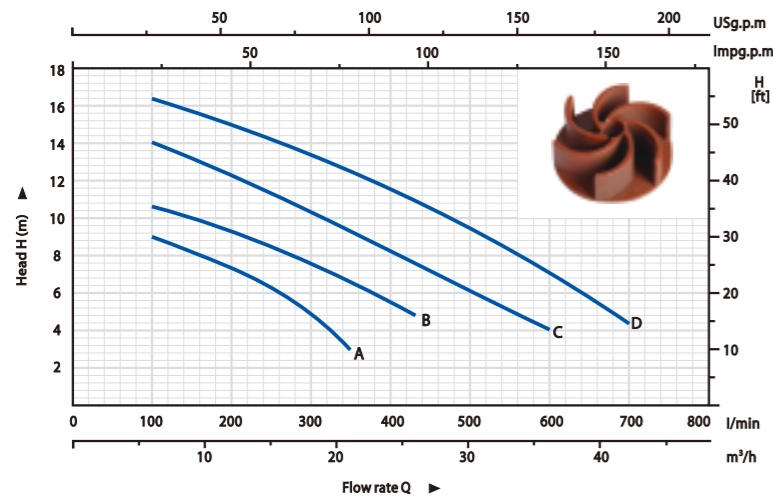
Component

- ※ Pump body: Cast iron
- ※ Motor housing: AISI304 SS
- ※ Impeller: Cast iron
- ※ Motor shaft: AISI304 SS
- ※ Mechanical seal: SIC-SIC/Ceramic-Graphite
- ※ Cable: 8m power cable with plug

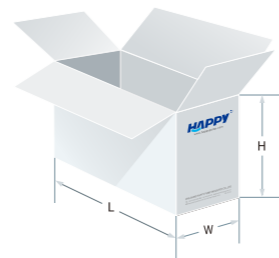
Construction

- ※ Pump body: Cast iron
- ※ Motor housing: AISI304 SS
- ※ Impeller: Cast iron
- ※ Motor shaft: AISI304 SS
- ※ Mechanical seal: SIC-SIC/Ceramic-Graphite
- ※ Cable: 8m power cable with plug

PERFORMANCE CHART AT n=2850RPM



NO.	MODEL	OUTLET (Inch)	PARTICAL (φ mm)	N.W (Kg)	L×W×H (mm)
A	H800F-B	2"	30	20	290×230×570
B	H1100F-B	2"	30	22	300×230×590
C	H1600F-B	3"	30	32	370×270×660
D	H2250F-B	3"	30	36	370×270×690



NO.	MODEL	POWER		Q(m³/h)	0	6.0	12.0	18.0	24.0	30.0	36.0	42.0
		kW	HP									
A	H800F-B	0.8	1.1	H	10	8.5	6.5	4				
B	H1100F-B	1.1	1.5		11.5	10.5	9	7.5	6			
C	H1600F-B	1.5	2		15	14	12.5	10.3	8	6	4	
D	H2250F-B	2.2	3		17.5	16.3	15	13.5	11.6	9.3	7	4.5

V1500F~V2200F

Submersible sewage pumps



V2200F

Application

Suitable for use with **dirty water** that is not chemically aggressive towards the materials from which the pump is made.

As a result of their reliability and the fact that they are easy to use, and suitable for use in applications such as clearing dirty water, discharging domestic waste water, and for emptying collection traps containing partical up to a maximum of ϕ 15mm.

Motor

- ※ Two-pole induction motor(n=2850 r.p.m)
- ※ Insulation Class B
- ※ Protection IP68
- ※ Continuous service S1
- ※ Thermal protector for single phase
- ※ Single-phase 220V/50Hz, 60Hz if request
- ※ Three-phase 380V/50Hz, 60Hz if request

Operating conditions

- ※ 5m maximum immersion depth
- ※ Liquid temperature up to 35°C
- ※ Maximum ambient temperature 40°C

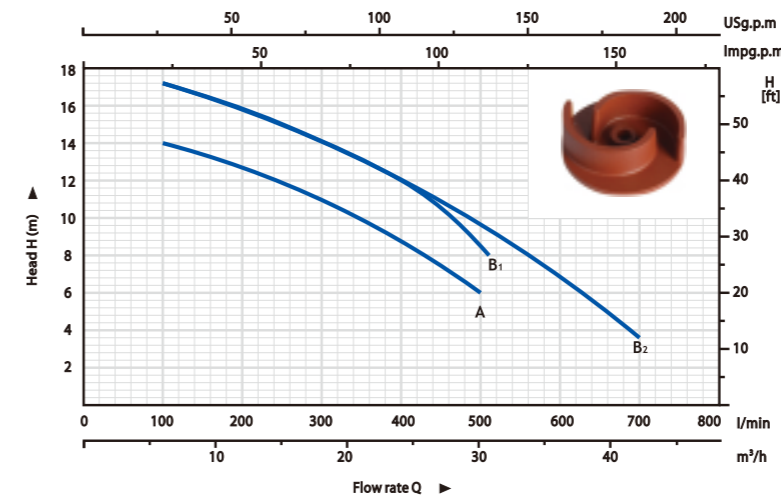
Component

- ※ Pump body: Cast iron
- ※ Motor housing: AISI304 SS
- ※ Impeller: Cast iron
- ※ Motor shaft: AISI304 SS
- ※ Mechanical seal: SIC-SIC/Ceramic-Graphite
- ※ Cable: 8m power cable with plug

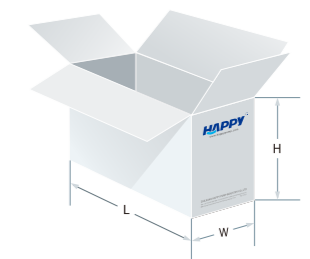
Construction

- ※ Pump body: Cast iron
- ※ Motor housing: AISI304 SS
- ※ Impeller: Cast iron
- ※ Motor shaft: AISI304 SS
- ※ Mechanical seal: SIC-SIC/Ceramic-Graphite
- ※ Cable: 8m power cable with plug

PERFORMANCE CHART AT n=2850RPM



NO.	MODEL	OUTLET (Inch)	PARTICAL (φ mm)	N.W (Kg)	L×W×H (mm)
A	V1500F	2"	15	25	300×200×495
B ₁	V2200F	2"	15	28	300×200×520
B ₂		2 1/2" / 3"			



NO.	MODEL	POWER		Q(m³/h)	0	6.0	12.0	18.0	24.0	30.0	36.0	42.0
		kW	HP									
A	V1500F	1.5	2	H	15.5	15	12.5	10	8.5	6.3		
B ₁	V2200F	2.2	3		18	16	15	13	12	8.2		
B ₂		2.2	3		18	16	15	13	12	10	7	3

HVT-D/F

Submersible sewage pumps



HVT-F

HVT-D

Application

Suitable for use with dirty water that is not chemically aggressive towards the materials from which the pump is made.

As a result of their reliability and the fact that they are easy to use, and suitable for use in applications such as clearing dirty water, discharging domestic waste water, and for emptying collection traps containing partical up to a maximum of ϕ 35mm.

Motor

- ※ Two-pole induction motor(n=2850 r.p.m)
- ※ Insulation Class B
- ※ Protection IP68
- ※ Continuous service S1
- ※ Thermal protector for single phase
- ※ Single-phase 220V/50Hz, 60Hz if request
- ※ Three-phase 380V/50Hz, 60Hz if request

Operating conditions

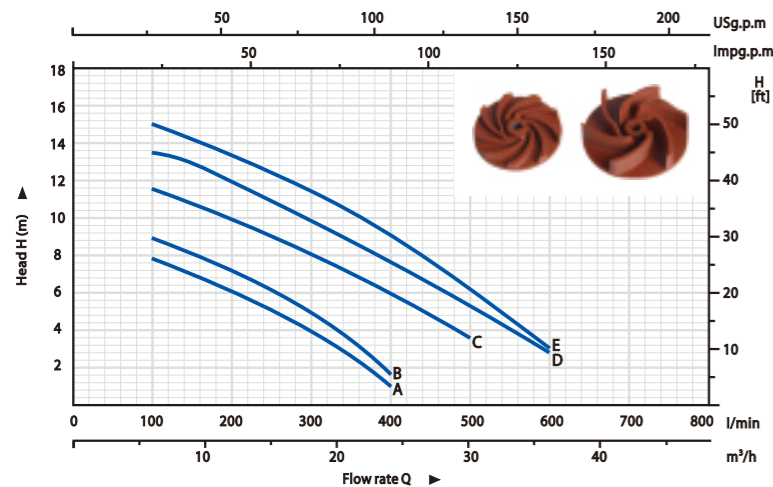
- ※ 5m maximum immersion depth
- ※ Liquid temperature up to 35°C
- ※ Maximum ambient temperature 40°C

Component

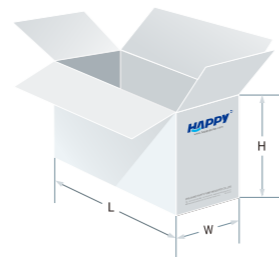
- ※ Pump body: Cast iron
- ※ Motor housing: AISI304 SS
- ※ Impeller: Cast iron
- ※ Motor shaft: AISI304 SS
- ※ Mechanical seal: SIC-SIC/Ceramic-Graphite
- ※ Cable: 6m power cable with plug

Construction

PERFORMANCE CHART AT n=2850RPM



NO.	MODEL	OUTLET (Inch)	PARTICAL (ϕ mm)	N.W (Kg)	L×W×H (mm)
A	HVT-550D/F	2"	35	16.5	275×200×470
B	HVT-750D/F	2"	35	17.5	275×200×480
C	HVT-1100D/F	2"	35	19.5	275×200×500
D	HVT-1500D/F	2"	35	21.5	275×200×520
E	HVT-2200D/F	2"	35	22.5	275×200×540



NO.	MODEL	POWER		Q(m³/h)	Q(l/min)	0	6.0	12.0	18.0	24.0	30.0	36.0
		kW	HP									
A	HVT-550D/F	0.55	0.75			9.5	7.8	6.2	4	1		
B	HVT-750D/F	0.75	1			10.8	9	7.3	5	1.8		
C	HVT-1100D/F	1.1	1.5	H		13.5	11.5	10	8	6	3.5	
D	HVT-1500D/F	1.5	2			15	13.5	12	9.8	7.5	5.2	2.8
E	HVT-2200D/F	2.2	3			17	15	13.2	11.5	9	6.2	3

VTX-F

Submersible sewage pumps



VTX-F

Application

Suitable for use with dirty water that is not chemically aggressive towards the materials from which the pump is made.

As a result of their reliability and the fact that they are easy to use, and suitable for use in applications such as clearing dirty water, discharging domestic waste water, and for emptying collection traps containing partical up to a maximum of ϕ 35mm.

Motor

- ※ Two-pole induction motor(n=2850 r.p.m)
- ※ Insulation Class B
- ※ Protection IP68
- ※ Continuous service S1
- ※ Thermal protector for single phase
- ※ Single-phase 220V/50Hz, 60Hz if request
- ※ Three-phase 380V/50Hz, 60Hz if request

Operating conditions

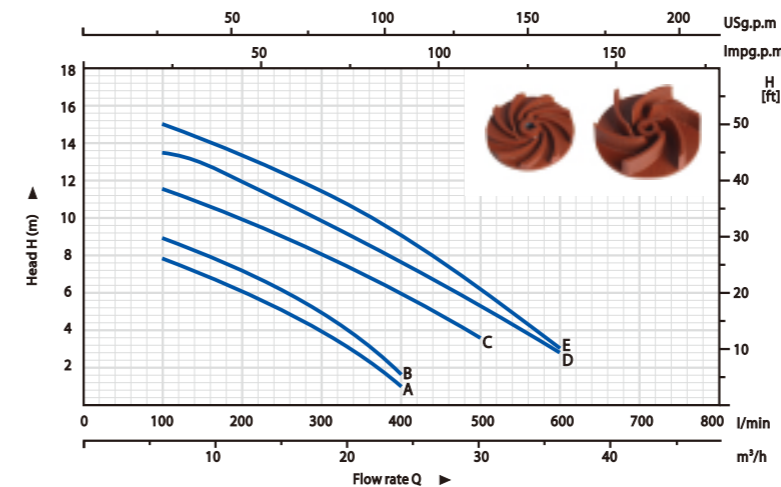
- ※ 5m maximum immersion depth
- ※ Liquid temperature up to 35°C
- ※ Maximum ambient temperature 40°C

Component

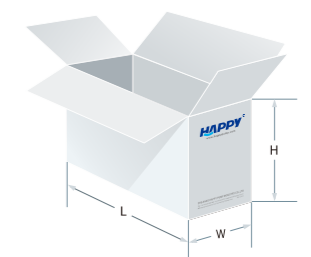
- ※ Pump body: Cast iron
- ※ Motor housing: AISI304 SS
- ※ Impeller: Cast iron
- ※ Motor shaft: AISI304 SS
- ※ Mechanical seal: SIC-SIC/Ceramic-Graphite
- ※ Cable: 6m power cable with plug

Construction

PERFORMANCE CHART AT n=2850RPM



NO.	MODEL	OUTLET (Inch)	PARTICAL (ϕ mm)	N.W (Kg)	L×W×H (mm)
A	VTX-550F	2"	35	17	280×200×465
B	VTX-750F	2"	35	18	280×200×475
C	VTX-1100F	2"	35	20	280×200×495
D	VTX-1500F	2"	35	21.5	280×200×515
E	VTX-2200F	2"	35	23	280×200×535



NO.	MODEL	POWER		Q(m³/h)	Q(l/min)	0	6.0	12.0	18.0	24.0	30.0	36.0
		kW	HP									
A	VTX-550F	0.55	0.75			9.5	7.8	6.2	4	1		
B	VTX-750F	0.75	1			10.8	9	7.3	5	1.8		
C	VTX-1100F	1.1	1.5	H		13.5	11.5	10	8	6	3.5	
D	VTX-1500F	1.5	2			15	13.5	12	9.8	7.5	5.2	2.8
E	VTX-2200F	2.2	3			17	15	13.2	11.5	9	6.2	3

WQDR-B

Submersible sewage pumps



WQDR-B

Application

Suitable for use with **dirty water** that is not chemically aggressive towards the materials from which the pump is made.

As a result of their reliability and the fact that they are easy to use, and suitable for use in applications such as clearing dirty water, discharging domestic waste water, and for emptying collection traps containing partical up to a maximum of ϕ 25mm.

Motor

- ※ Two-pole induction motor(n=2850 r.p.m)
- ※ Insulation Class B
- ※ Protection IP68
- ※ Continuous service S1
- ※ Thermal protector for single phase
- ※ Single-phase 220V/50Hz, 60Hz if request
- ※ Three-phase 380V/50Hz, 60Hz if request

Operating conditions

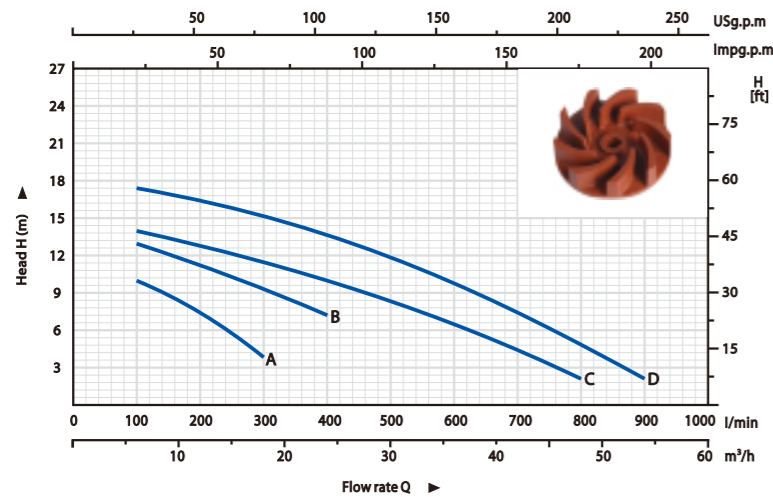
- ※ 5m maximum immersion depth
- ※ Liquid temperature up to 35°C
- ※ Maximum ambient temperature 40°C

Component

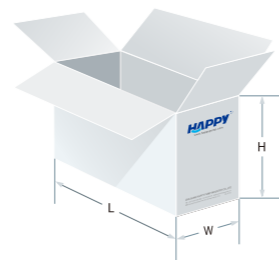
- ※ Pump body: Cast iron
- ※ Motor housing: AISI304 SS
- ※ Impeller: Cast iron
- ※ Motor shaft: AISI304 SS
- ※ Mechanical seal: SIC-SIC/Ceramic-Graphite
- ※ Cable: 6m power cable with plug

Construction

PERFORMANCE CHART AT n=2850RPM



NO.	MODEL	OUTLET (Inch)	PARTICAL (ϕ mm)	N.W (Kg)	L×W×H (mm)
A	WQDR750-B	2"	25	15	270×215×420
B	WQDR1100-B	2"	25	24	270×215×450
C	WQDR1500-B	3"	25	26	340×250×530
D	WQDR2200-B	3"	25	29	340×250×560



NO.	MODEL	POWER		Q(m³/h)	Flow rate															
		kW	HP		0	6.0	12.0	18.0	24.0	30.0	36.0	42.0	48.0	54.0						
A	WQDR750-B	0.75	1	H	12	10	7.5	4												
B	WQDR1100-B	1.1	1.5		15	13	11.5	9.5	7.5											
C	WQDR1500-B	1.5	2		15	13.8	12.5	11.5	10	8.5	7	5	2							
D	WQDR2200-B	2.2	3		19	17.5	16.5	15.5	13.5	11.5	9.5	7.5	5	2						

HWD

Submersible sewage pumps



HWD

Application

Suitable for use with **dirty water** that is not chemically aggressive towards the materials from which the pump is made.

As a result of their reliability and the fact that they are easy to use, and suitable for use in applications such as clearing dirty water, discharging domestic waste water, and for emptying collection traps containing partical up to a maximum of ϕ 40mm.

Motor

- ※ Two-pole induction motor(n=2850 r.p.m)
- ※ Insulation Class B
- ※ Protection IP68
- ※ Continuous service S1
- ※ Thermal protector for single phase
- ※ Single-phase 220V/50Hz, 60Hz if request
- ※ Three-phase 380V/50Hz, 60Hz if request

Operating conditions

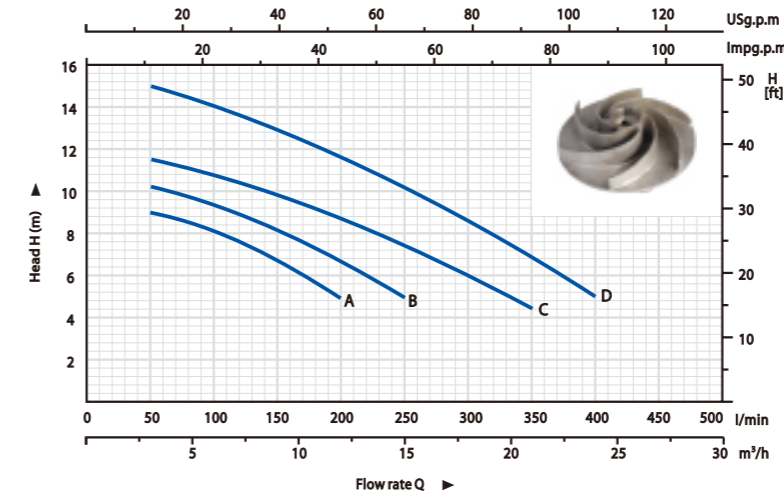
- ※ 5m maximum immersion depth
- ※ Liquid temperature up to 35°C
- ※ Maximum ambient temperature 40°C

Component

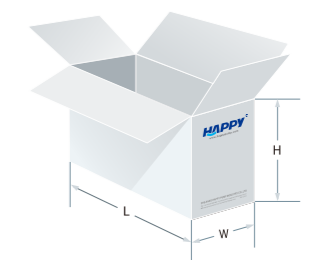
- ※ Pump body: AISI304 SS
- ※ Motor housing: AISI304 SS
- ※ Impeller: AISI304 SS
- ※ Motor shaft: AISI304 SS
- ※ Mechanical seal: Alloy/Ceramic-Graphite
- ※ Cable: 6m power cable with plug

Construction

PERFORMANCE CHART AT n=2850RPM



NO.	MODEL	OUTLET (Inch)	PARTICAL (ϕ mm)	N.W (Kg)	L×W×H (mm)
A	HWD-550S	1½"	40	11	260×260×490
B	HWD-750S	1½"	40	12	260×260×495
C	HWD-1100S	2"	40	13	270×270×500
D	HWD-1500S	2"	40	15	270×270×530



NO.	MODEL	POWER		Q(m³/h)	Flow rate														
		kW	HP		0	3.0	6.0	9.0	12.0	15.0	18.0	21.0	24.0						
A	HWD-550S	0.55	0.75	H	10	9	8	6.5	5										
B	HWD-750S	0.75	1		12	10.5	9.5	8	6.5	5									
C	HWD-1100S	1.1	1.5		12.8	11.8	10.8	9.8	8.5	7.5	6	4.5							
D	HWD-1500S	1.5	2		16	15	14	13	11.5	10.2	8.8	7	5						

HAD

Submersible sewage pumps



HAD

Application

Suitable for use with dirty water that is not chemically aggressive towards the materials from which the pump is made.

As a result of their reliability and the fact that they are easy to use, and suitable for use in applications such as clearing dirty water, discharging domestic waste water, and for emptying collection traps containing partical up to a maximum of ϕ 15mm.

Motor

- ※ Two-pole induction motor(n=2850 r.p.m)
- ※ Insulation Class B
- ※ Protection IP68
- ※ Continuous service S1
- ※ Thermal protector for single phase
- ※ Single-phase 220V/50Hz, 60Hz if request
- ※ Three-phase 380V/50Hz, 60Hz if request

Operating conditions

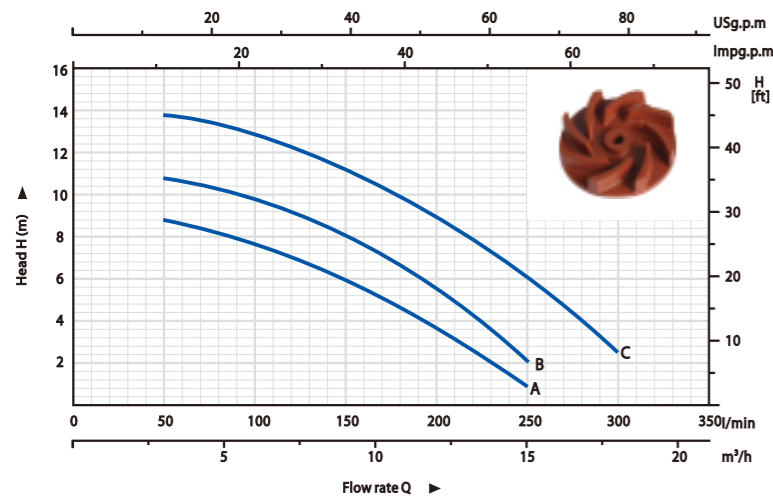
- ※ 5m maximum immersion depth
- ※ Liquid temperature up to 35°C
- ※ Maximum ambient temperature 40°C

Component

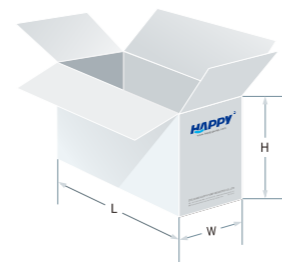
- ※ Pump body: Cast iron
- ※ Motor housing: Aluminum
- ※ Impeller: Cast iron
- ※ Motor shaft: AISI304 SS
- ※ Mechanical seal: SIC-SIC/Ceramic-Graphite
- ※ Cable: 6m power cable with plug

Construction

PERFORMANCE CHART AT n=2850RPM



NO.	MODEL	OUTLET (Inch)	PARTICAL (ϕ mm)	N.W (Kg)	L×W×H (mm)
A	HAD-400	2"	15	12	260×230×365
B	HAD-600	2"	15	12.5	260×230×365
C	HAD-750	2"	15	14	260×230×385



NO.	MODEL	POWER		Q(m³/h)	Q(l/min)	0	3.0	6.0	9.0	12.0	15.0	18.0
		kW	HP									
A	HAD-400	0.4	0.55			10	8.8	7.6	6	3.5	1	
B	HAD-600	0.6	0.8	H		12	10.8	9.8	8	5.5	2	
C	HAD-750	0.75	1			15	13.8	12.8	11.2	9	5.8	2.5

HTD

Submersible sewage pumps



HTD

Application

Suitable for use with dirty water that is not chemically aggressive towards the materials from which the pump is made.

As a result of their reliability and the fact that they are easy to use, and suitable for use in applications such as clearing dirty water, discharging domestic waste water, and for emptying collection traps containing partical up to a maximum of ϕ 45mm.

Motor

- ※ Two-pole induction motor(n=2850 r.p.m)
- ※ Insulation Class B
- ※ Protection IP68
- ※ Continuous service S1
- ※ Thermal protector for single phase
- ※ Single-phase 220V/50Hz, 60Hz if request
- ※ Three-phase 380V/50Hz, 60Hz if request

Operating conditions

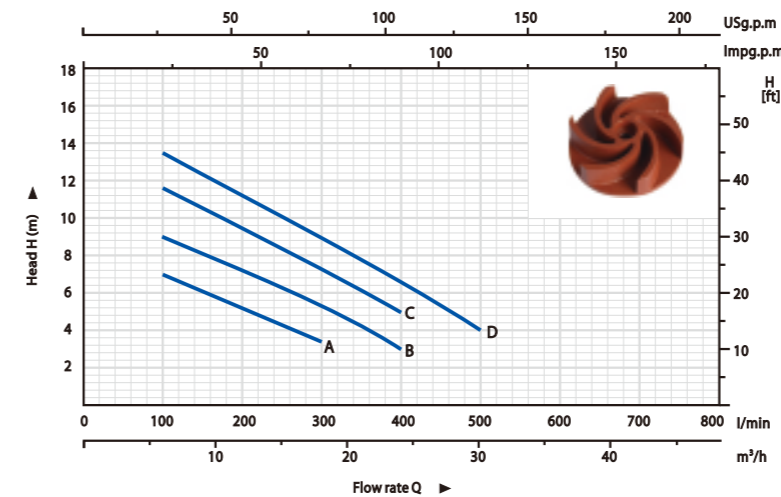
- ※ 5m maximum immersion depth
- ※ Liquid temperature up to 35°C
- ※ Maximum ambient temperature 40°C

Component

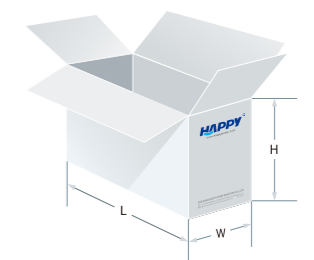
- ※ Pump body: Cast iron
- ※ Motor housing: Cast iron
- ※ Impeller: Cast iron
- ※ Motor shaft: AISI304 SS
- ※ Mechanical seal: SIC-SIC/Ceramic-Graphite
- ※ Cable: 8m power cable with plug

Construction

PERFORMANCE CHART AT n=2850RPM



NO.	MODEL	OUTLET (Inch)	PARTICAL (ϕ mm)	N.W (Kg)	L×W×H (mm)
A	HTD-550	2"	45	20.2	275×215×475
B	HTD-750	2"	45	21	275×215×475
C	HTD-1100	2"	45	23.3	275×215×515
D	HTD-1500	2"	45	25	275×215×515



NO.	MODEL	POWER		Q(m³/h)	Q(l/min)	0	6.0	12.0	18.0	24.0	30.0
		kW	HP								
A	HTD-550	0.55	0.75			10	7	5	3.5		
B	HTD-750	0.75	1	H		12	9	6.5	5.5	3	
C	HTD-1100	1.1	1.5			13.5	11.5	9.5	7	5	
D	HTD-1500	1.5	2			15	13.5	11	9	6.5	4

HUD

Submersible sewage pumps



HUD

Application

Suitable for use with dirty water that is not chemically aggressive towards the materials from which the pump is made.

As a result of their reliability and the fact that they are easy to use, and suitable for use in applications such as clearing dirty water, discharging domestic waste water, and for emptying collection traps containing partical up to a maximum of ϕ 35mm.

Motor

- ※ Two-pole induction motor(n=2850 r.p.m)
- ※ Insulation Class B
- ※ Protection IP68
- ※ Continuous service S1
- ※ Thermal protector for single phase
- ※ Single-phase 220V/50Hz, 60Hz if request
- ※ Three-phase 380V/50Hz, 60Hz if request

Operating conditions

- ※ 5m maximum immersion depth
- ※ Liquid temperature up to 35°C
- ※ Maximum ambient temperature 40°C

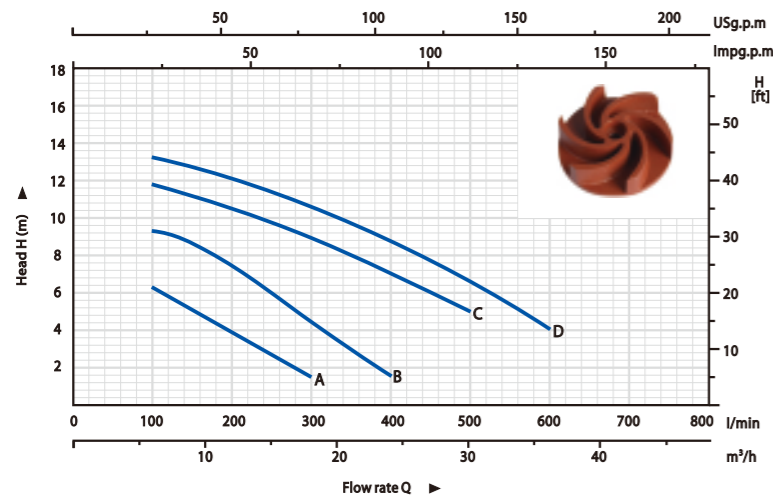
Component

- ※ Pump body: Cast iron
- ※ Motor housing: Cast iron
- ※ Impeller: Cast iron
- ※ Motor shaft: AISI304 SS
- ※ Mechanical seal: SIC-SIC/Ceramic-Graphite
- ※ Cable: 8m power cable with plug

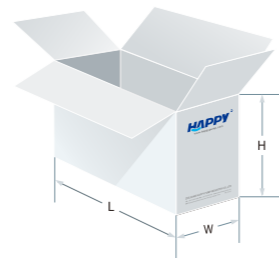
Construction

- Cast iron
- Cast iron
- Cast iron
- AISI304 SS
- SIC-SIC/Ceramic-Graphite
- 8m power cable with plug

PERFORMANCE CHART AT n=2850RPM



NO.	MODEL	OUTLET (Inch)	PARTICAL (ϕ mm)	N.W (Kg)	L×W×H (mm)
A	HUD-550	2"	25	18	275×205×450
B	HUD-750	2"	25	19.5	275×205×450
C	HUD-1100	2½"	35	28.5	335×235×505
D	HUD-1500	2½"	35	30.5	335×235×505



NO.	MODEL	POWER		Q(m³/h)	0	6.0	12.0	18.0	24.0	30.0	36.0
		kW	HP								
A	HUD-550	0.55	0.75	H	8	6.3	4	1.5			
B	HUD-750	0.75	1		11	9.3	7.5	4.5	1.5		
C	HUD-1100	1.1	1.5		13	11.8	10.5	9	7	5	
D	HUD-1500	1.5	2		14.5	13.2	12	10.5	8.8	6.5	4

HD1150F~HD1550F

Cutting system submersible sewage pumps



HD1300F

Application

Submersible sewage pumps widely used in agriculture, architecture, mine, environment protection and industry, such as drainage slurry, waste water, which contained short fibre, long fibre, wastepaper, sand and so on, it is also an ideal equipment for irrigation.

Motor

- ※ Two-pole induction motor(n=2850 r.p.m)
- ※ Insulation Class B
- ※ Protection IP68
- ※ Continuous service S1
- ※ Thermal protector for single phase
- ※ Single-phase 220V/50Hz, 60Hz if request
- ※ Three-phase 380V/50Hz, 60Hz if request

Operating conditions

- ※ 5m maximum immersion depth
- ※ Liquid temperature up to 35°C
- ※ Maximum ambient temperature 40°C

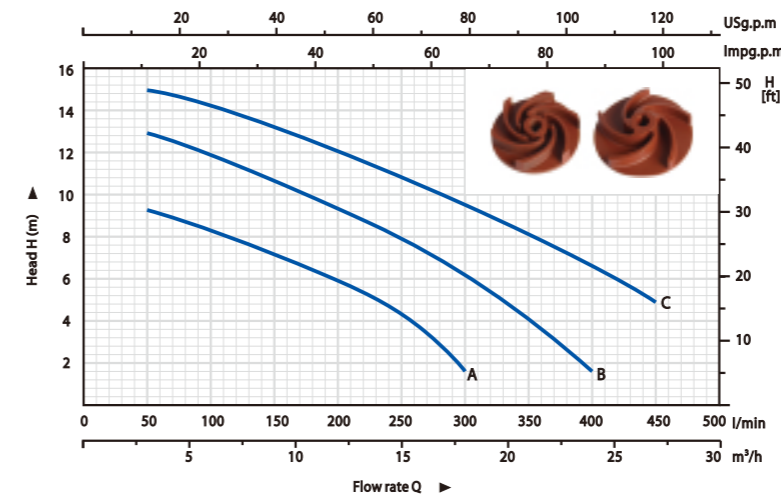
Component

- ※ Pump body: Cast iron
- ※ Motor housing: AISI304 SS
- ※ Impeller: Superior steel
- ※ Motor shaft: AISI304 SS
- ※ Mechanical seal: SIC-SIC/Ceramic-Graphite
- ※ Cable: 8m power cable with plug

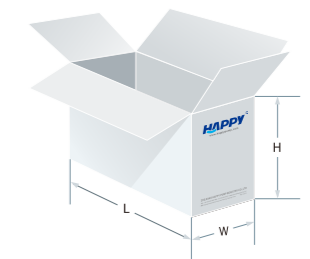
Construction

- Cast iron
- AISI304 SS
- Superior steel
- AISI304 SS
- SIC-SIC/Ceramic-Graphite
- 8m power cable with plug

PERFORMANCE CHART AT n=2850RPM



NO.	MODEL	OUTLET (Inch)	PARTICAL (ϕ mm)	N.W (Kg)	L×W×H (mm)
A	HD1150F	2"	8	20	300×230×520
B	HD1300F	2"	8	23	300×230×520
C	HD1550F	2½"	8	27.5	340×275×560



NO.	MODEL	POWER		Q(m³/h)	0	3.0	6.0	9.0	12.0	15.0	18.0	21.0	24.0	27.0
		kW	HP											
A	HD1150F	1.15	1.6	H	10	9.3	8.3	7.2	6	4.5	1.8			
B	HD1300F	1.3	1.8		14	13	11.8	10.6	9.2	8	6.5	4	1.8	
C	HD1550F	1.55	2.1		15.5	15	14.1	13.2	12.2	11	9.5	8	6.5	5

CUT

Cutting system submersible sewage pumps



CUT

Application

The CUT pumps are specifically designed for pumping untreated waste water from domestic, commercial or municipal sources. The high discharge pressure enables transfer of waste water over longer distances. The pump can cut up fibre mixture in water easily for example: gloves, rope, cloth. Being not wound and no obstruction. It also can reduce energy consumption and keep downtime costs to a minimum, while maintaining peak performance throughout the system life.

Motor

- ※ Two-pole induction motor(n=2850 r.p.m)
- ※ Insulation Class B
- ※ Protection IP68
- ※ Continuous service S1
- ※ Thermal protector for single phase
- ※ Single-phase 220V/50Hz, 60Hz if request
- Three-phase 380V/50Hz, 60Hz if request

Operating conditions

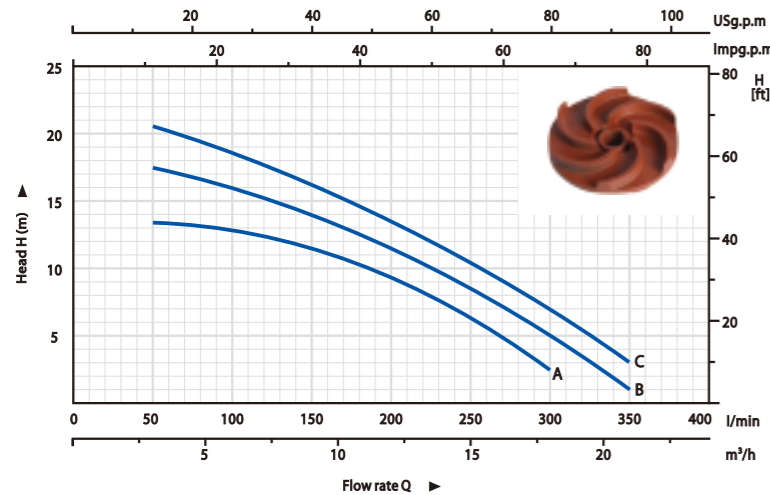
- ※ 5m maximum immersion depth
- ※ Liquid temperature up to 35°C
- ※ Maximum ambient temperature 40°C

Component

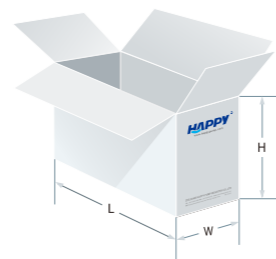
- ※ Pump body: Cast iron
- ※ Motor housing: AISI304 SS
- ※ Impeller: Cast iron
- ※ Motor shaft: AISI304 SS
- ※ Mechanical seal: SIC-SIC/Ceramic-Graphite
- ※ Cable: 8m power cable with plug

Construction

PERFORMANCE CHART AT n=2850RPM



NO.	MODEL	OUTLET (Inch)	PARTICAL (φ mm)	N.W (Kg)	L×W×H (mm)
A	CUT800	2"	5	28.5	310×230×640
B	CUT1100	2"	5	30.5	310×230×640
C	CUT1500	2"	5	33	310×230×670



NO.	MODEL	POWER		Q(m³/h)	Q(l/min)	0	3.0	6.0	9.0	12.0	15.0	18.0	21.0
		kW	HP										
A	CUT800	0.8	1.1	H	14	13.5	12.5	11.5	9.5	6.2	2.5		
B	CUT1100	1.1	1.5	H	19	17.5	16	14	11.5	8.5	5.3		1
C	CUT1500	1.5	2	H	23	20.5	18.5	16	13.5	10.5	7		3

WQK-QG

Cutting system submersible sewage pumps



WQK-QG

Application

The WQK pumps are specifically designed for pumping untreated waste water from domestic, commercial or municipal sources. The high discharge pressure enables transfer of waste water over longer distances. The pump can cut up fibre mixture in water easily for example: gloves, rope, cloth. Being not wound and no obstruction. It also can reduce energy consumption and keep downtime costs to a minimum, while maintaining peak performance throughout the system life.

Motor

- ※ Two-pole induction motor(n=2850 r.p.m)
- ※ Insulation Class B
- ※ Protection IP68
- ※ Continuous service S1
- ※ Thermal protector for single phase
- ※ Single-phase 220V/50Hz, 60Hz if request
- Three-phase 380V/50Hz, 60Hz if request

Operating conditions

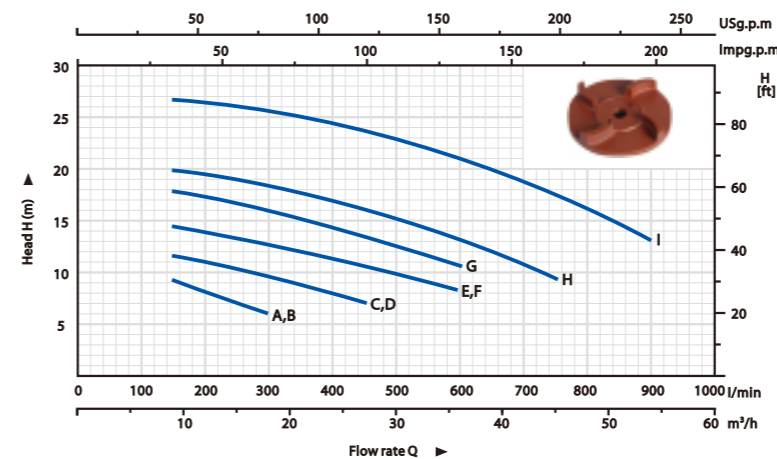
- ※ 5m maximum immersion depth
- ※ Liquid temperature up to 35°C
- ※ Maximum ambient temperature 40°C

Component

- ※ Pump body: Cast iron
- ※ Motor housing: AISI304 SS
- ※ Impeller: Cast iron
- ※ Motor shaft: AISI304 SS
- ※ Mechanical seal: Alloy/Ceramic-Graphite
- ※ Cable: 8m power cable

Construction

PERFORMANCE CHART AT n=2850RPM



NO.	MODEL	OUTLET	PARTICAL	N.W (Kg)	L×W×H (mm)
		(Inch)	(φ mm)		
A	WQK15-7-1.1QG	1 1/4"	5	25	220×250×480
B	WQK15-7-1.1QG	1 1/4"	5	25	220×250×480
C	WQK26-7-1.5QG	2"	5	35.5	300×250×530
D	WQK26-7-1.5QG	2"	5	35.5	300×250×530
E	WQK30-7-2.2QG	2"	5	39	300×250×550
F	WQK30-7-2.2QG	2"	5	39	300×250×550
G	WQK30-10-3QG	3"	5	47	320×270×580
H	WQK40-10-4QG	3"	5	56	330×290×600
I	WQK55-10-5.5QG	3"	5	66	340×300×650

NO.	MODEL	POWER		Q(m³/h)	Q(l/min)	0	9.0	18.0	27.0	36.0	45.0	54.0
		kW	HP									
A	WQK15-7-1.1QG	1.1	1.5			11.5	9.2	6				
B	WQK15-7-1.1QG	1.1	1.5			11.5	9.2	6				
C	WQK26-7-1.5QG	1.5	2			14	11.5	9.5	7			
D	WQK26-7-1.5QG	1.5	2			14	11.5	9.5	7			
E	WQK30-7-2.2QG	2.2	3	H		16	14.5	12.5	10.5	8		
F	WQK30-7-2.2QG	2.2	3	H		16	14.5	12.5	10.5	8		
G	WQK30-10-3QG	3	4			20.5	18	15.5	13.5	10.5		
H	WQK40-10-4QG	4	5.5			23	20	18	16	13.5	9	
I	WQK55-10-5.5QG	5.5	7.5			29.5	27	25.5	23.5	21	17.7	13

WQ-B

Submersible sewage pumps



WQ-B

Application

Suitable for use with dirty water that is not chemically aggressive towards the materials from which the pump is made.

As a result of their reliability and the fact that they are easy to use, and suitable for use in applications such as clearing dirty water, discharging domestic waste water, and for emptying collection traps containing partical up to a maximum of ϕ 35mm.

Motor

- ※ Two-pole induction motor(n=2850 r.p.m)
- ※ Insulation Class B
- ※ Protection IP68
- ※ Continuous service S1
- ※ Thermal protector for single phase
- ※ Single-phase 220V/50Hz, 60Hz if request
- ※ Three-phase 380V/50Hz, 60Hz if request

Operating conditions

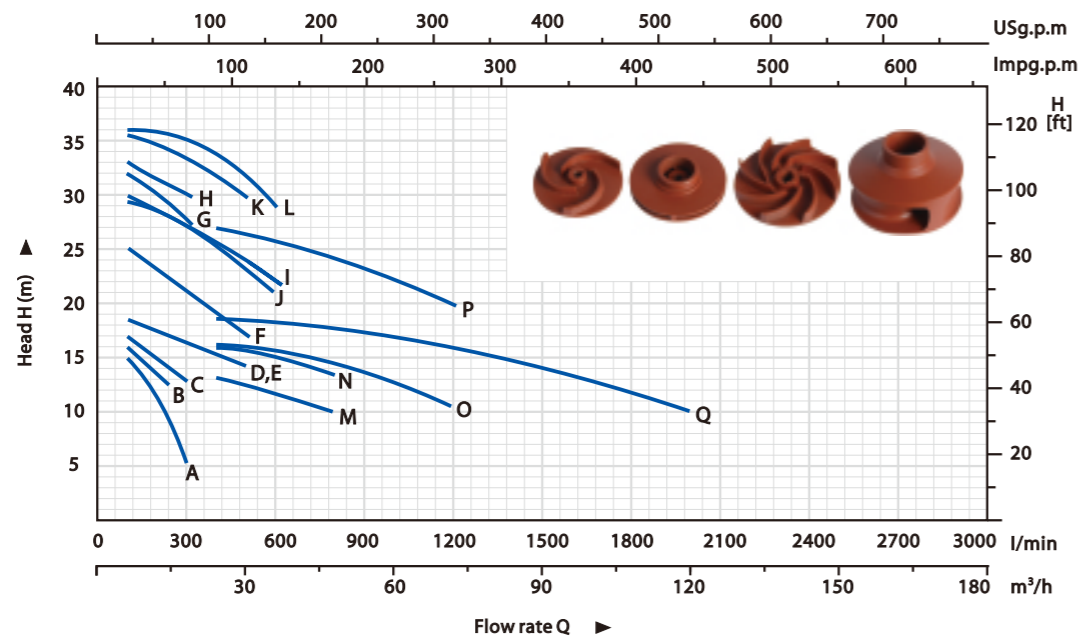
- ※ 5m maximum immersion depth
- ※ Liquid temperature up to 35°C
- ※ Maximum ambient temperature 40°C

Component

- ※ Pump body: Cast iron
- ※ Motor housing: Cast iron
- ※ Impeller: Cast iron
- ※ Motor shaft: AISI304 SS
- ※ Mechanical seal: Alloy/Ceramic-Graphite
- ※ Cable: 8m power cable

Construction

PERFORMANCE CHART AT n=2850RPM



WQ-B

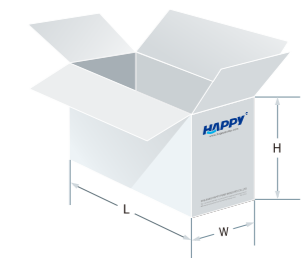
Submersible sewage pumps



NO.	MODEL	POWER		Q(m³/h) Q(l/min)	0	6.0	12.0	18.0	24.0	30.0	36.0
		kW	HP		0	100	200	300	400	500	600
A	WQ15-12-1.1B	1.1	1.5	H	17	15	11.5	5.5			
B	WQ7-15-1.1B	1.1	1.5		17.5	16	13.5				
C	WQ15-15-1.5B	1.5	2		19.5	17	15	13			
D	WQ15-20-2.2B	2.2	3		20	18.5	17.5	16.5			
E	WQ27-15-2.2B	2.2	3		20	18.5	17.5	16.5	15.5	14	
F	WQ25-20-3B	3	4		27	25	23	21	19	17	
G	WQ15-30-3B	3	4		34	32	30	27.5			
H	WQ15-32-4B	4	5.5		35	33	31.5	30			
I	WQ25-26-4B	4	5.5		31.5	30	28	27	25.5	23.5	
J	WQ30-22-4B	4	5.5		31.5	29.8	28.5	27	25.5	23	21
K	WQ25-32-5.5B	5.5	7.5		37.5	35.5	34.3	33.3	31.8	30	
L	WQ30-30-5.5B	5.5	7.5		38	36	35.5	35	33.5	31.8	29

NO.	MODEL	POWER		Q(m³/h) Q(l/min)	0	24.0	48.0	72.0	96.0	120.0	144.0
		kW	HP		0	400	800	1200	1600	2000	2400
M	WQ40-10-2.2B	2.2	3	H	17.5	13.2	10				
N	WQ43-13-3B	3	4		21	16	13.5				
O	WQ60-11-4B	4	5.5		20.5	16	14.5	10.5			
P	WQ65-20-7.5B	7.5	10		32	27	24	20			
Q	WQ100-12-7.5B	7.5	10		21	18.8	17.5	16	13.2	10	

NO.	MODEL	OUTLET	PARTICAL	BEARING	N.W	L×W×H
		(Inch)	(ϕ mm)	(RZ)	(Kg)	(mm)
A	WQ15-12-1.1B	2½"	20	6203/6204	33	260×220×550
B	WQ7-15-1.1B	2"	5	6203/6204	33	260×220×550
C	WQ15-15-1.5B	2"	20	6204/6205*2	37	255×205×560
D	WQ15-20-2.2B	2"	20	6204/6205*2	43	260×210×575
E	WQ27-15-2.2B	2½"	25	6204/6205*2	46	260×210×575
F	WQ25-20-3B	2½"	25	6205/6206*2	51	305×255×625
G	WQ15-30-3B	2"	20	6205/6206*2	48.5	305×255×625
H	WQ15-32-4B	2"	20	6206/6207*2	58.5	365×265×675
I	WQ25-26-4B	2½"	25	6206/6207*2	58.5	365×265×675
J	WQ30-22-4B	3"	25	6206/6207*2	66.5	365×265×675
K	WQ25-32-5.5B	2½"	25	6206/6207*2	68.5	365×265×705
L	WQ30-30-5.5B	3"	25	6206/6207*2	73	365×265×705
M	WQ40-10-2.2B	3"	25	6204/6205*2	43	260×210×575
N	WQ43-13-3B	3"	25	6205/6206*2	48.5	305×255×625
O	WQ60-11-4B	4"	30	6206/6207*2	62.5	365×265×675
P	WQ65-20-7.5B	4"	30	6307/6308*2	103	410×320×765
Q	WQ100-12-7.5B	6"	35	6307/6308*2	103	410×320×765



WQ

Submersible sewage pumps



WQ

Application

Suitable for use with dirty water that is not chemically aggressive towards the materials from which the pump is made.

As a result of their reliability and the fact that they are easy to use, and suitable for use in applications such as clearing dirty water, discharging domestic waste water, and for emptying collection traps containing partical up to a maximum of ϕ 100mm.

Motor

- ※ Two-pole induction motor(n=2850 r.p.m)
- ※ Insulation Class B
- ※ Protection IP68
- ※ Continuous service S1
- ※ Thermal protector for single phase
- ※ Single-phase 220V/50Hz, 60Hz if request
- ※ Three-phase 380V/50Hz, 60Hz if request

Operating conditions

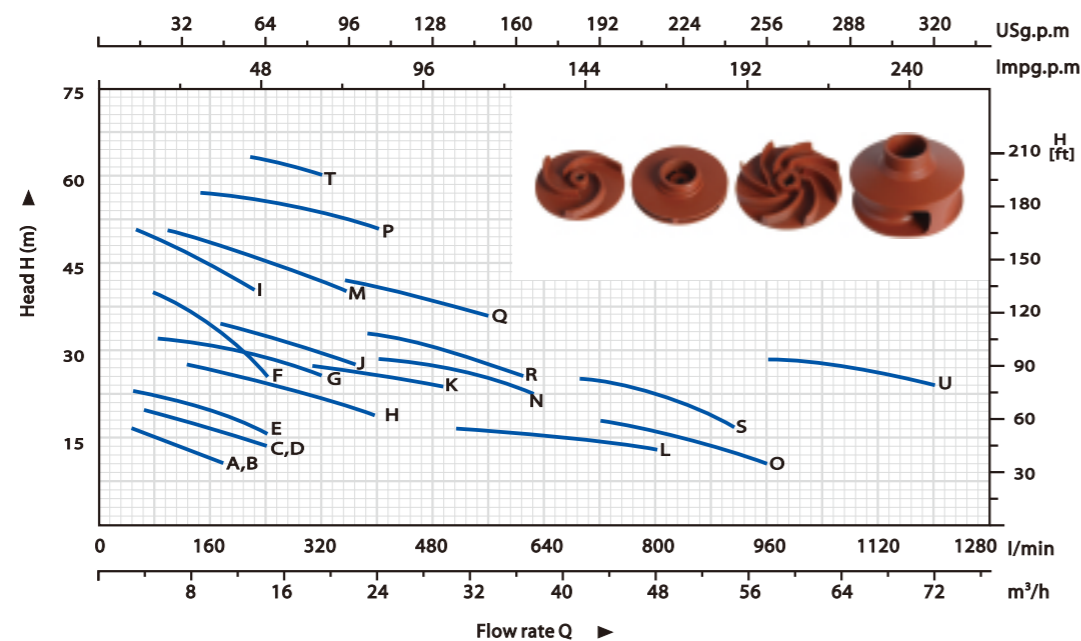
- ※ 5m maximum immersion depth
- ※ Liquid temperature up to 35°C
- ※ Maximum ambient temperature 40°C

Component

- ※ Pump body: Cast iron
- ※ Motor housing: Cast iron
- ※ Impeller: Cast iron
- ※ Motor shaft: AISI304 SS
- ※ Mechanical seal: Alloy/Ceramic-Graphite
- ※ Cable: SIC-SIC/Ceramic-Graphite(1HP, 1.5HP&2HP) 8m power cable

Construction

PERFORMANCE CHART AT n=2850RPM



WQ

Submersible sewage pumps



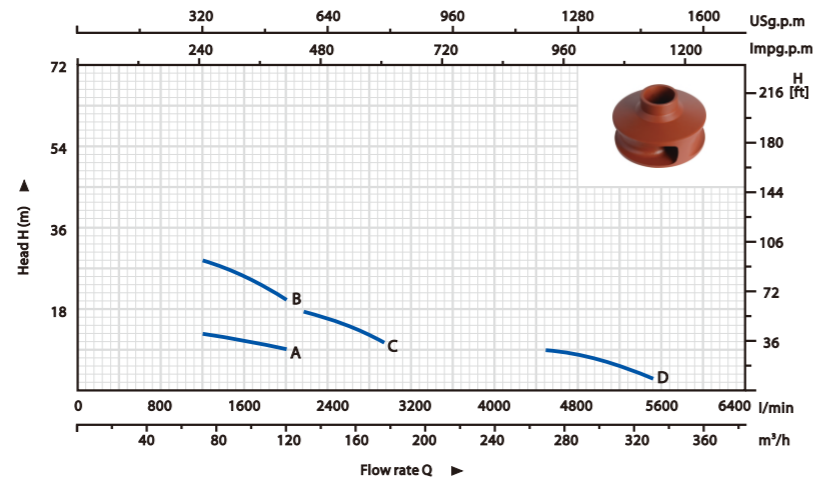
NO.	MODEL	POWER		SPEED (R/min)	VOLT. (V)	FREQ. (Hz)	Q. RATE		H. RATE (m)	OUTLET (Inch)	PARTICAL (φ mm)	BEARING (RZ)	N.W (Kg)	L×W×H (mm)
		kW	HP				(m³/h)	(l/min)						
A	WQD5-15-0.75F	0.75	1	2850	220	50	5	83	15	2"	5	6202/6202	19	490×220×250
B	WQ5-15-0.75	0.75	1	2850	380	50	5	83	15	2"	5	6202/6202	18.5	450×220×260
C	WQD7-15-1.1F	1.1	1.5	2850	220	50	7	116	15	2"	5	6203/6204	26	560×220×260
D	WQ7-15-1.1	1.1	1.5	2850	380	50	7	116	15	2"	5	6203/6204	25.5	510×240×250
E	WQ12-18-1.5	1.5	2	2850	380	50	12	200	18	2"	5	6203/6203	23	460×230×270
F	WQ10-34-2.2	2.2	3	2850	380	50	10	166	34	2"	5	6204/6304	40	590×270×270
G	WQ15-28-2.2	2.2	3	2850	380	50	15	250	28	2"	20	6204/6205	45	590×270×270
H	WQ18-22-2.2	2.2	3	2850	380	50	18	300	22	2½"	20	6204/6205	47	590×270×270
I	WQ10-44-3	3	4	2850	380	50	10	166	44	2"	5	6204/6204	49	640×280×300
J	WQ16-32-3	3	4	2850	380	50	16	266	32	2"	20	6204/6205*2	50	610×270×280
K	WQ25-25-3	3	4	2850	380	50	25	416	25	2½"	25	6204/6205*2	51	610×270×280
L	WQ40-15-3	3	4	2850	380	50	40	666	15	3"	25	6205/6206	57	640×280×300
M	WQ15-45-4	4	5.5	2850	380	50	15	250	45	2"	20	6205/6306	62	690×270×350
N	WQ30-26-4	4	5.5	2850	380	50	30	500	26	3"	25	6205/6206	74	720×290×310
O	WQ50-15-4	4	5.5	2850	380	50	50	833	15	4"	30	6205/6206	74	900×340×310
P	WQ15-55-5.5	5.5	7.5	2850	380	50	15	250	55	2"	20	6206/6307	82	850×330×370
Q	WQ25-40-5.5	5.5	7.5	2850	380	50	25	416	40	2"	25	6205/6206	78	900×320×310
R	WQ30-30-5.5	5.5	7.5	2850	380	50	30	500	30	3"	25	6206/6307	83	960×320×330
S	WQ48-22-5.5	5.5	7.5	2850	380	50	48	800	22	4"	25	6205/6206	86	960×320×330
T	WQ20-60/2-7.5	7.5	10	2850	380	50	20	333	60	2"	25	6306/6306	110	790×290×340
U	WQ65-26-7.5	7.5	10	2850	380	50	65	1083	26	4"	30	6308*3	140	930×380×400

WQ

Submersible sewage pumps



PERFORMANCE CHART AT n=1450RPM



NO.	MODEL	POWER		SPEED (R/min)	VOLT. (V)	FREQ. (Hz)	Q.RATE		H.RATE (m)	OUTLET (Inch)	PARTICAL (φ mm)	BEARING (RZ)	N.W (Kg)	L×W×H (mm)
		kW	HP				(m³/h)	(l/min)						
A	WQ100-10-7.5	7.5	10	2850	380	50	100	1666	10	6"	35	6308*3	144	380×370×1180
B	WQ100-25-11	11	15	1450	380	50	100	1666	25	4"	35	6309*3	216	650×520×1230
C	WQ150-15-11	11	15	1450	380	50	150	2500	15	6"	35	6309*3	252	650×520×1230
D	WQ300-7-11	11	15	1450	380	50	300	5000	7	8"	35	6309*3	275	650×520×1230

NO.	MODEL	POWER		SPEED (R/min)	VOLT. (V)	FREQ. (Hz)	Q.RATE		H.RATE (m)	OUTLET (Inch)
		kW	HP				(m³/h)	(l/min)		
1	WQ100-30-15	15	20	1450	380	50	100	1666	30	4"
2	WQ200-15-15	15	20	1450	380	50	200	3333	15	6"
3	WQ250-11-15	15	20	1450	380	50	250	4166	11	8"
4	WQ500-5-15	15	20	1450	380	50	500	8333	5	10"
5	WQ100-35-18.5	18.5	25	1450	380	50	100	1666	35	4"
6	WQ180-20-18.5	18.5	25	1450	380	50	180	3000	20	6"
7	WQ250-15-18.5	18.5	25	1450	380	50	250	4166	15	8"
8	WQ500-7-18.5	18.5	25	1450	380	50	500	8333	7	10"
9	WQ650-5-18.5	18.5	25	1450	380	50	650	10833	5	12"
10	WQ100-40-22	22	30	1450	380	50	100	1666	40	4"
11	WQ200-22-22	22	30	1450	380	50	200	3333	22	6"
12	WQ300-16-22	22	30	1450	380	50	300	5000	16	8"
13	WQ500-9-22	22	30	1450	380	50	500	8333	9	10"
14	WQ650-7-22	22	30	1450	380	50	650	10833	7	12"
15	WQ120-45-30	30	40	1450	380	50	120	2000	45	4"
16	WQ180-30-30	30	40	1450	380	50	180	3000	30	6"
17	WQ250-22-30	30	40	1450	380	50	250	4166	22	8"
18	WQ600-9-30	30	40	1450	380	50	600	10000	9	10"
19	WQ800-7-30	30	40	1450	380	50	800	13333	7	12"
20	WQ1200-4.5-30	30	40	980	380	50	1200	20000	4.5	14"
21	WQ120-50-37	37	50	1450	380	50	120	2000	50	4"
22	WQ200-35-37	37	50	1450	380	50	200	3333	35	6"
23	WQ300-25-37	37	50	1450	380	50	300	5000	25	8"
24	WQ600-12-37	37	50	1450	380	50	600	10000	12	10"

WQ

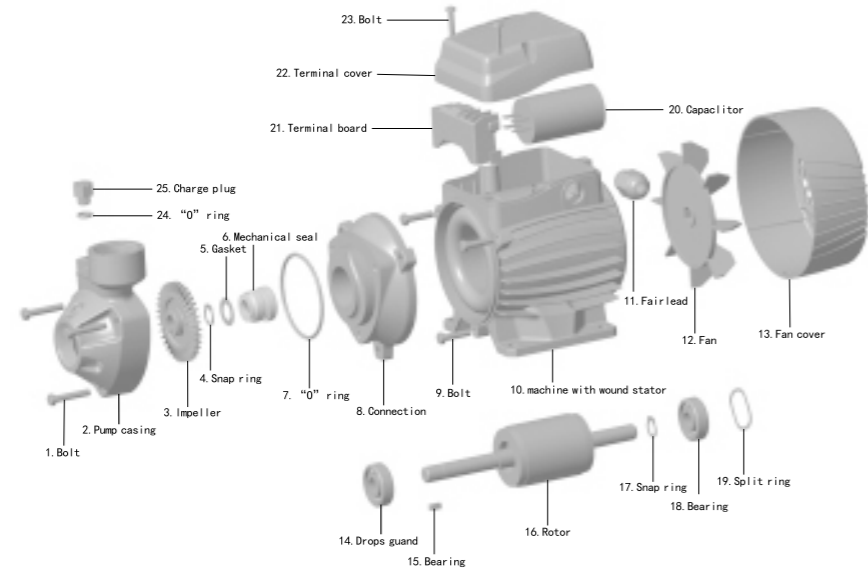
Submersible sewage pumps



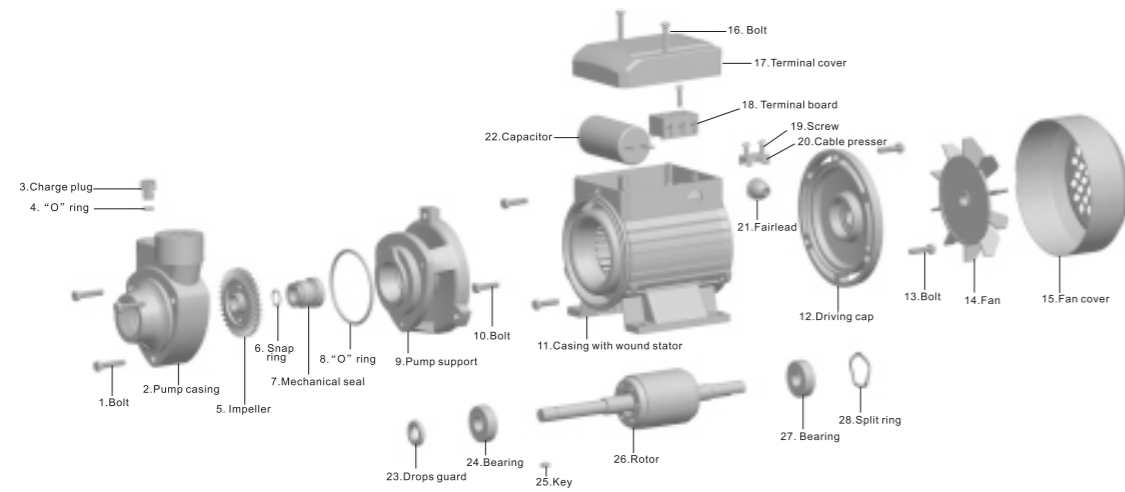
NO.	MODEL	POWER		SPEED (R/min)	VOLT. (V)	FREQ. (Hz)	Q.RATE		H.RATE (m)	OUTLET (Inch)
		kW	HP				(m³/h)	(l/min)		
25	WQ800-9-37	37	50	1450	380	50	800	13333	9	12"
26	WQ1000-6-37	37	50	1450	380	50	1000	16666	6	14"
27	WQ1100-6-37	37	50	980	380	50	1100	18333	6	14"
28	WQ1400-5-37	37	50	980	380	50	1400	23333	5	16"
29	WQ100-57-45	45	60	1450	380	50	100	1666	57	4"
30	WQ200-40-45	45	60	1450	380	50	200	3333	40	6"
31	WQ300-32-45	45	60	1450	380	50	300	5000	32	8"
32	WQ600-15-45	45	60	1450	380	50	600	10000	15	10"
33	WQ800-12-45	45	60	1450	380	50	800	13333	12	12"
34	WQ1000-8-45	45	60	1450	380	50	1000	16666	8	14"
35	WQ1200-8-45	45	60	980	380	50	1200	20000	8	14"
36	WQ1500-6-45	45	60	980	380	50	1500	25000	6	16"
37	WQ100-65-55	55	74	1450	380	50	100	1666	65	4"
38	WQ180-50-55	55	74	1450	380	50	180	3000	50	6"
39	WQ300-40-55	55	74	1450	380	50	300	5000	40	8"
40	WQ600-20-55	55	74	1450	380	50	600	10000	20	10"
41	WQ800-15-55	55	74	1450	380	50	800	13333	15	12"
42	WQ1000-10-55	55	74	1450	380	50	1000	16666	10	14"
43	WQ1100-10-55	55	74	980	380	50	1100	18333	10	14"
44	WQ1500-8-55	55	74	980	380	50	1500	25000	8	16"
45	WQ2200-5-55	55	74	980	380	50	2200	36666	5	20"
46	WQ120-75-75	75	100	1450	380	50	120	2000	75	4"
47	WQ200-60-75	75	100	1450	380	50	200	3333	60	6"
48	WQ350-45-75	75	100	1450	380	50	350	5833	45	8"
49	WQ600-25-75	75	100	1450	380	50	600	10000	25	10"
50	WQ800-20-75	75	100	1450	380	50	800	13333	20	12"
51	WQ1000-15-75	75	100	1450	380	50	1000	16666	15	14"
52	WQ1200-15-75	75	100	980	380	50	1200	20000	15	14"
53	WQ1500-10-75	75	100	980	380	50	1500	25000	10	16"
54	WQ2000-8-75	75	100	980	380	50	2000	33333	8	20"
55	WQ120-85-90	90	120	1450	380	50	120	2000	85	4"
56	WQ200-70-90	90	120	1450	380	50	200	3333	70	6"
57	WQ300-55-90	90	120	1450	380	50	300	5000	55	8"
58	WQ600-30-90	90	120	1450	380	50	600	10000	30	10"
59	WQ800-25-90	90	120	1450	380	50	800	13333	25	12"
60	WQ1000-18-90	90	120	1450	380	50	1000	16666	18	14"
61	WQ1200-18-90	90	120	980	380	50	1200	20000	18	14"
62	WQ1500-15-90	90	120	980	380	50	1500	25000	15	16"
63	WQ2000-10-90	90	120	980	380	50	2000	33333	10	20"
64	WQ100-100-110	110	147	1450	380	50	100	1666	100	4"
65	WQ180-80-110	110	147	1450	380	50	180	3000	80	6"
66	WQ300-65-110	110	147	1450	380	50	300	5000	65	8"
67	WQ600-35-110	110	147	1450	380	50	600	10000	35	10"
68	WQ800-30-110	110	147	1450	380	50	800	13333	30	12"
69	WQ1000-25-110	110	147	1450	380	50	1000	16666	25	14"
70	WQ1300-20-110	110	147	980	380	50	1300	21666	20	14"
71	WQ1800-15-110	110	147	980	380	50	1800	30000	15	16"
72	WQ2500-10-110	110	147	980	380	50	2500	41666	10	20"
73	WQ3800-6-110	110	147	980	380	50	3800	63333	6	24"

EXPLODE DRAWING

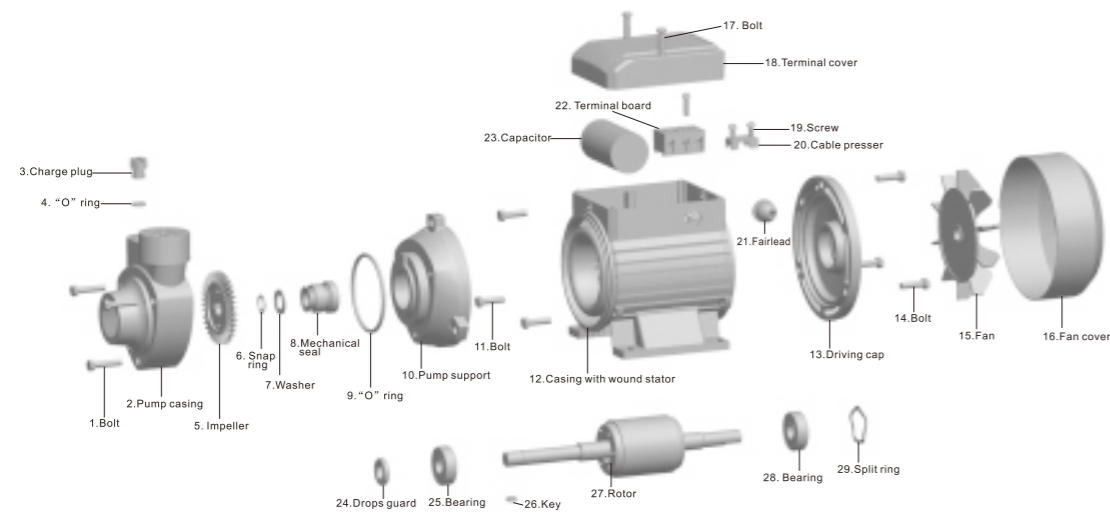
HPm



QB

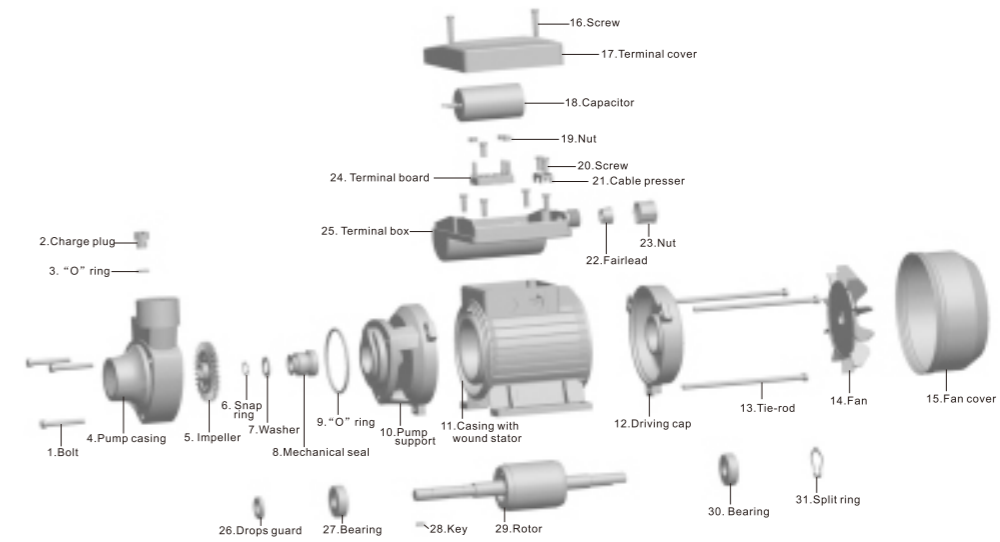


HKm

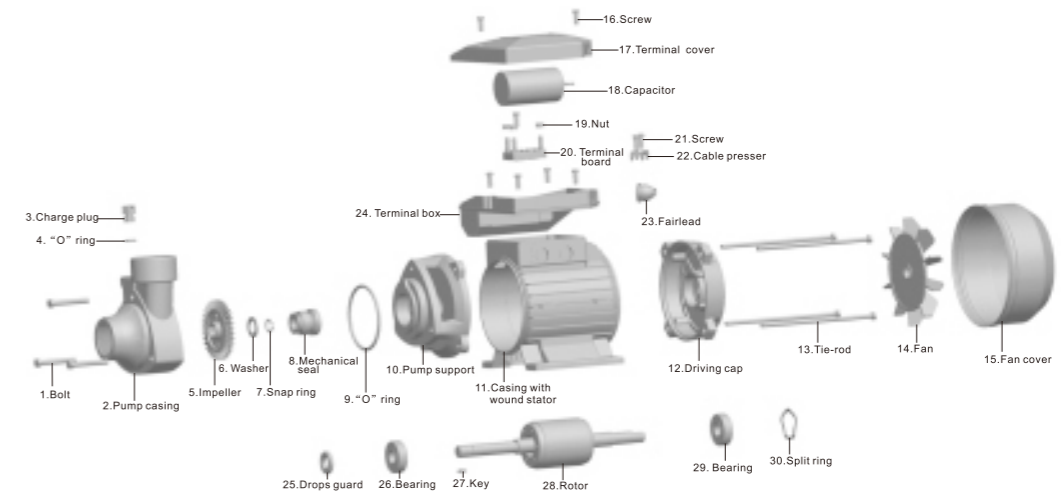


EXPLODE DRAWING

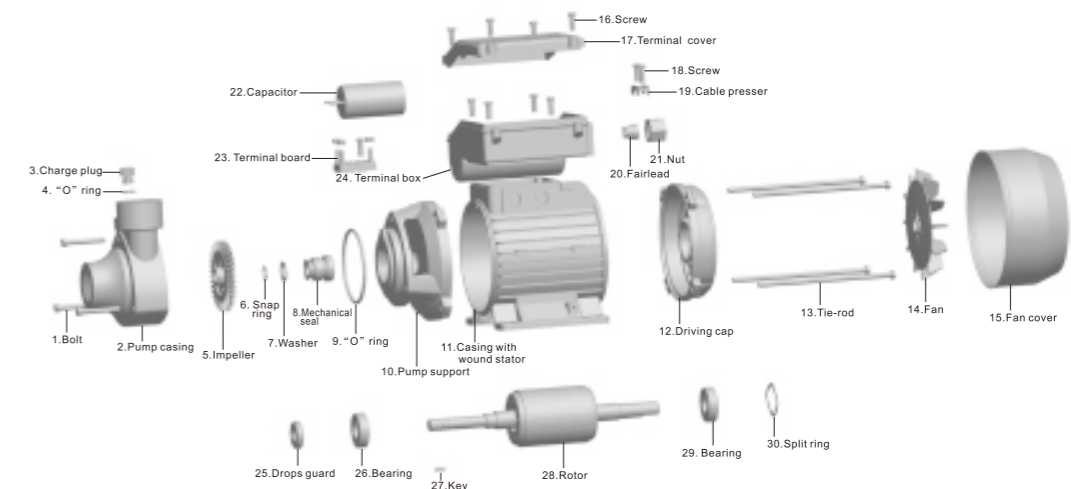
IDB



VPm

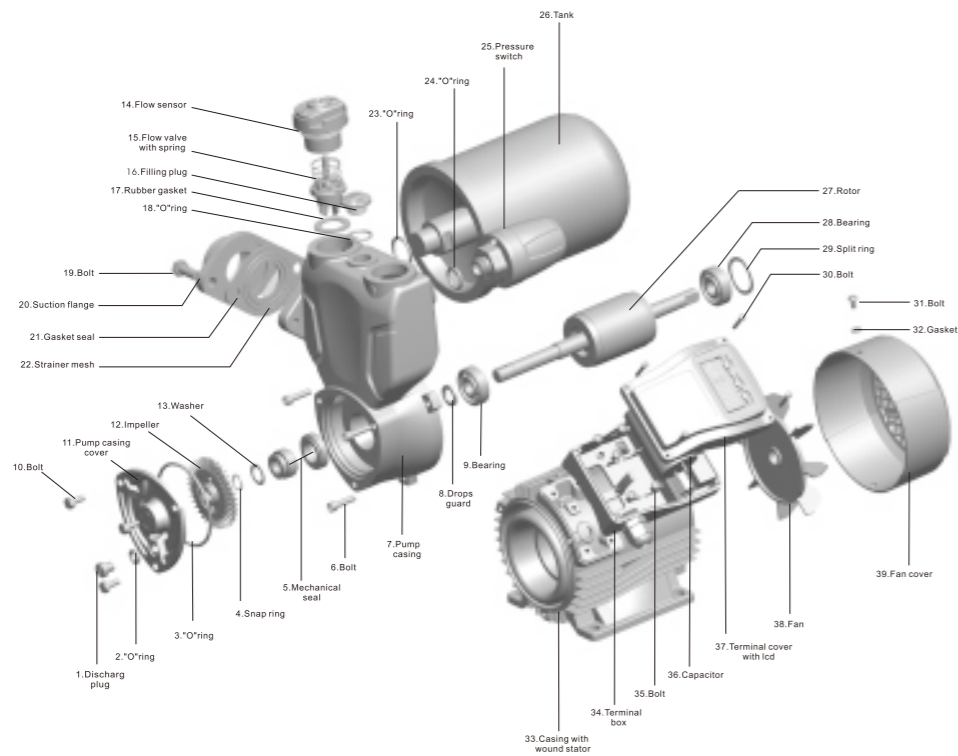


VP

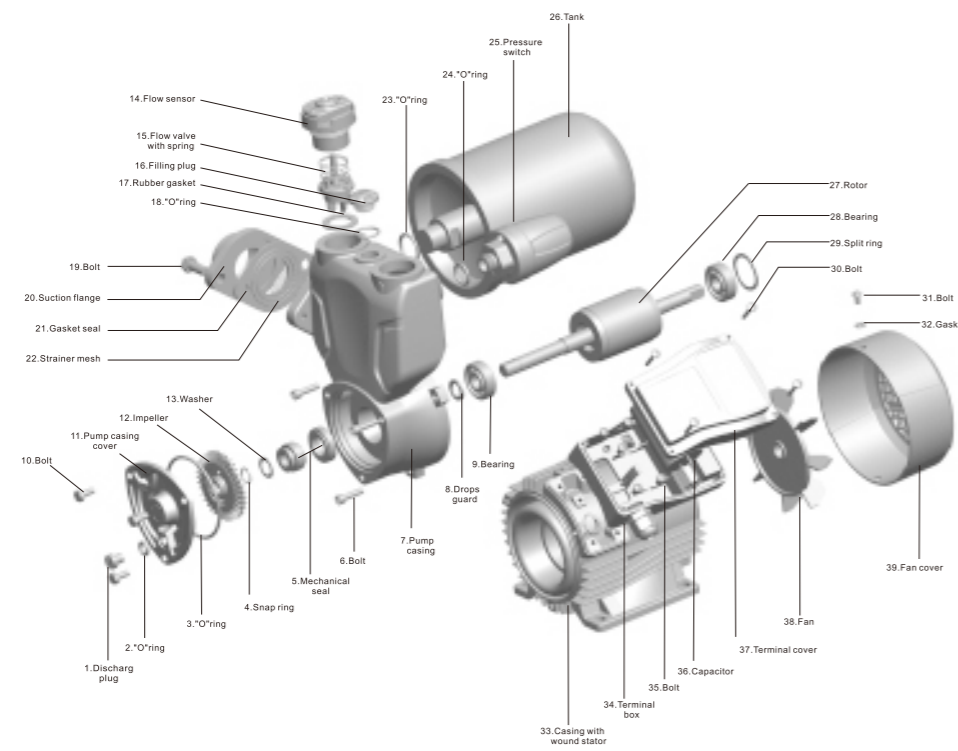


EXPLODE DRAWING

HQSm-AX

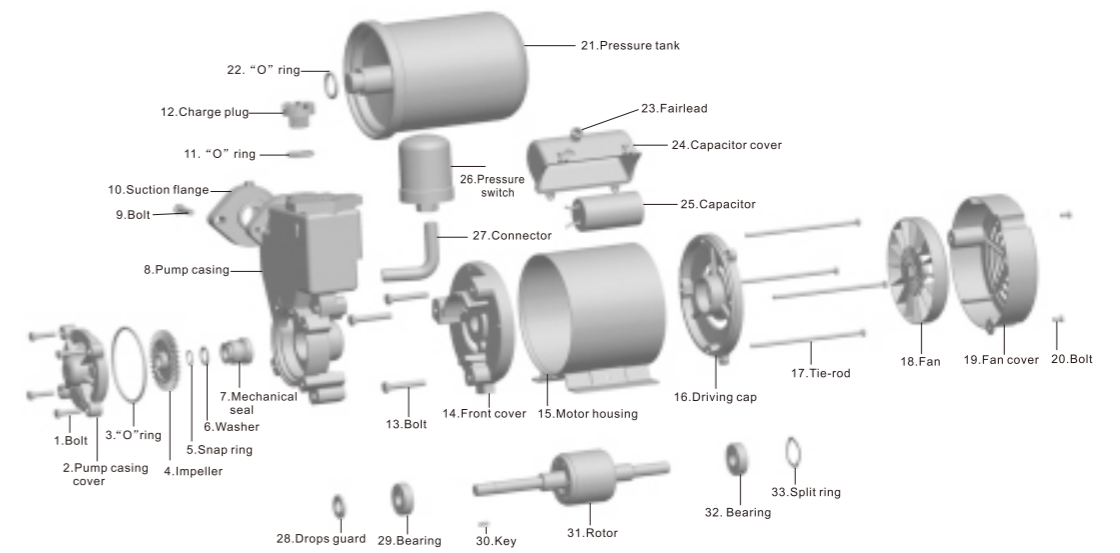


HQSm-A

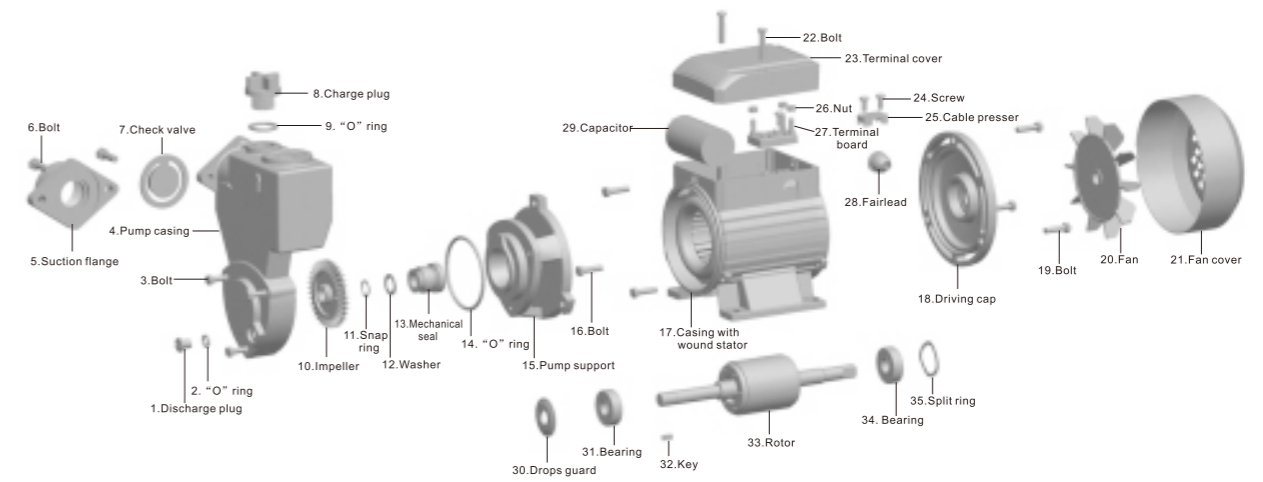


EXPLODE DRAWING

PS

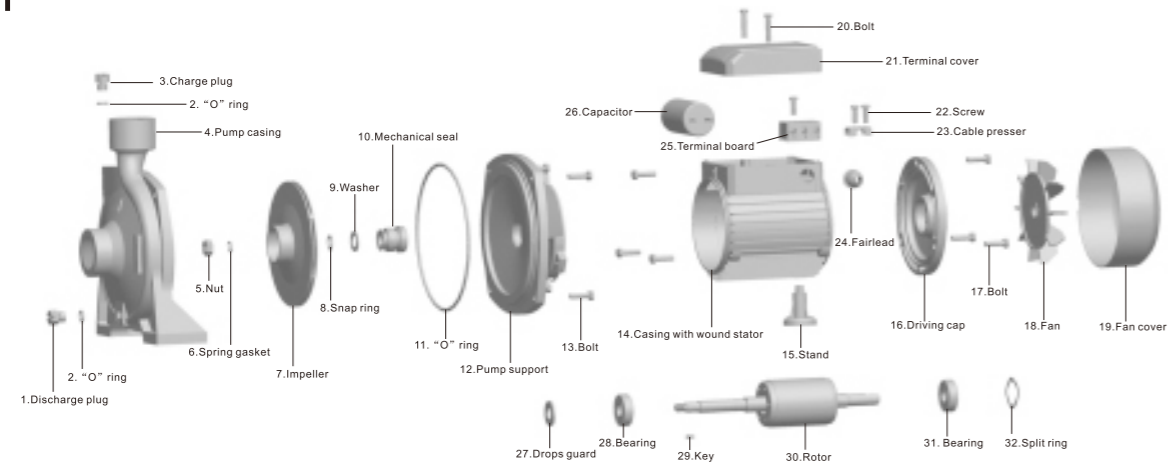


HKS

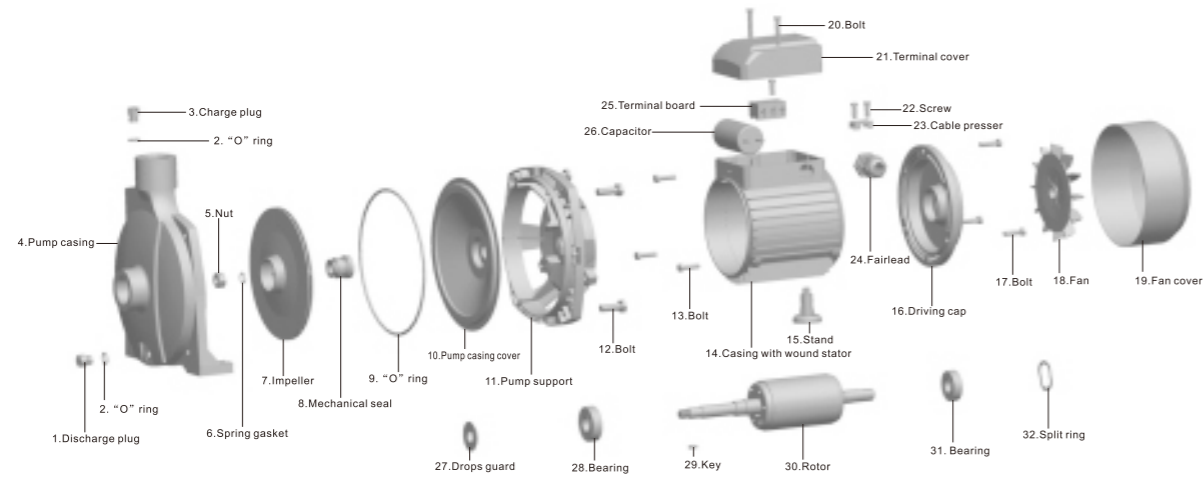


EXPLODE DRAWING

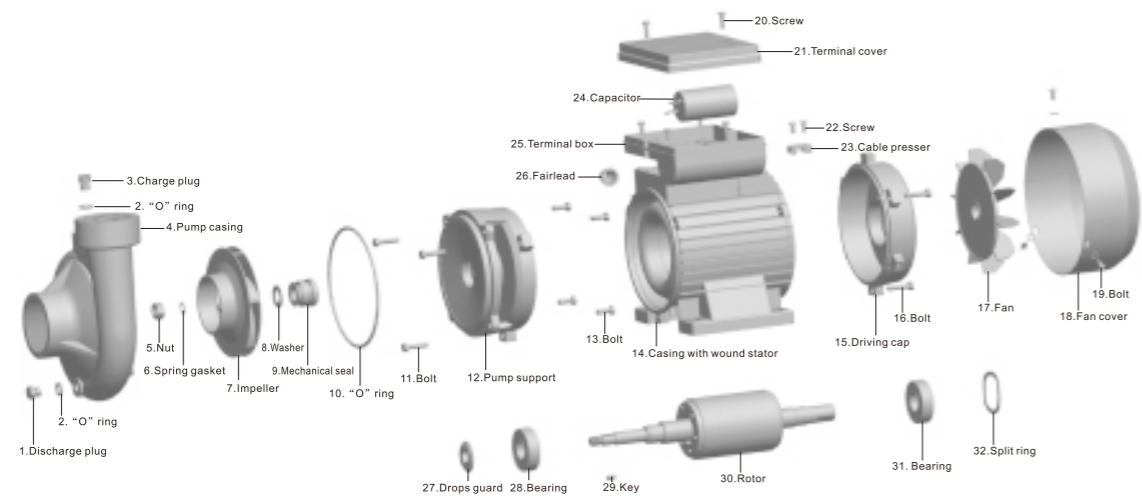
HCm



HCm-2

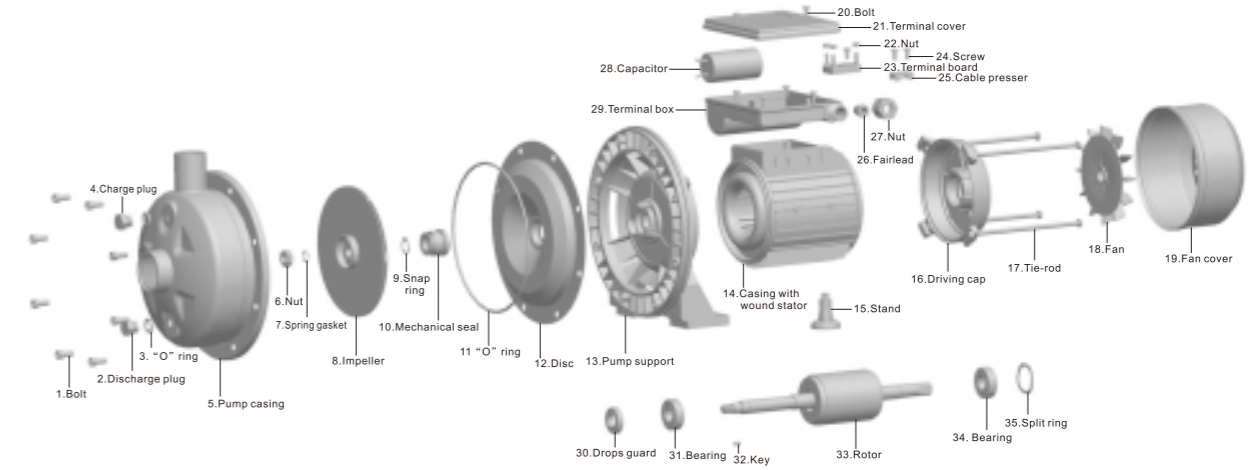


2DK

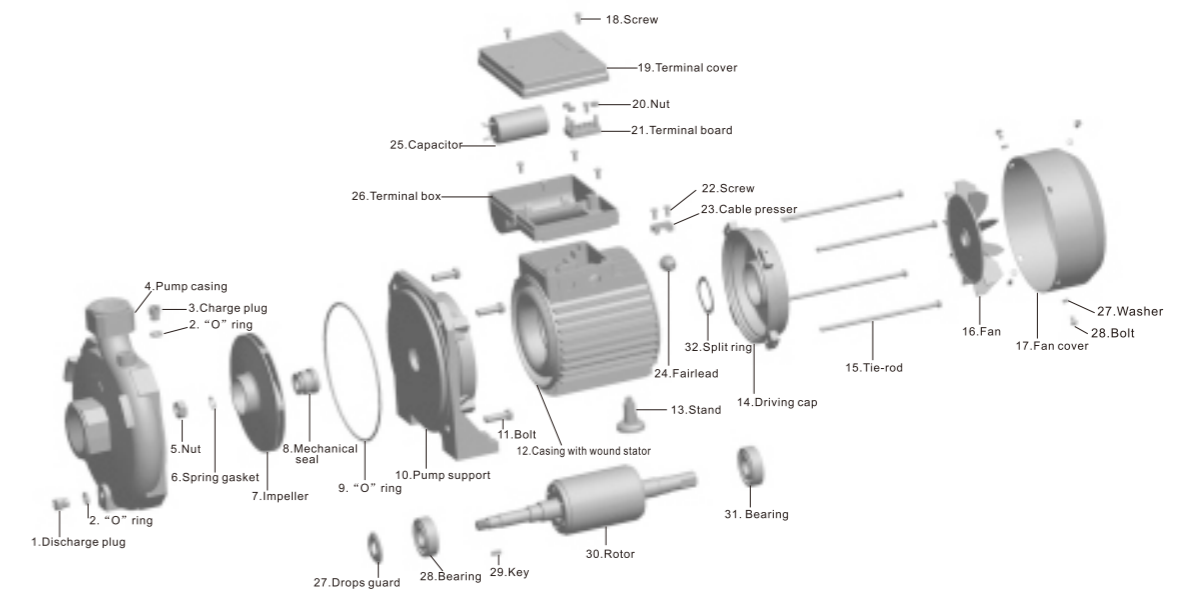


EXPLODE DRAWING

HCT-S

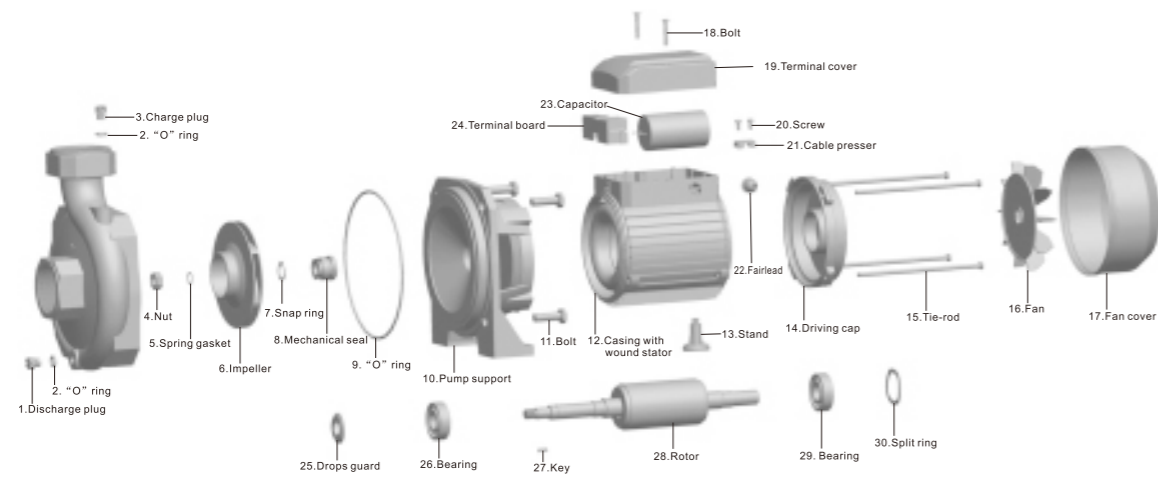


HCK

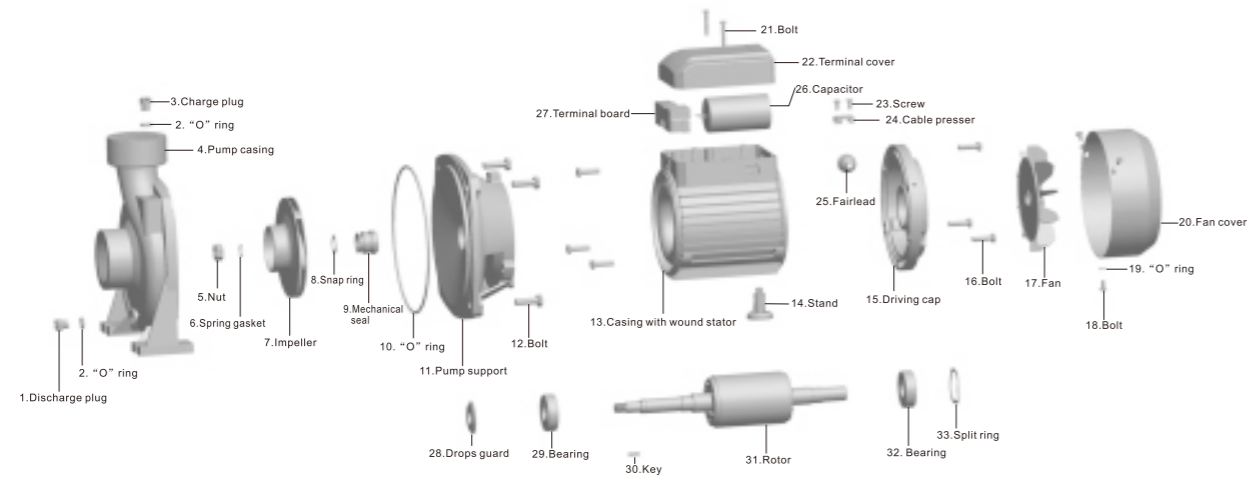


EXPLODE DRAWING

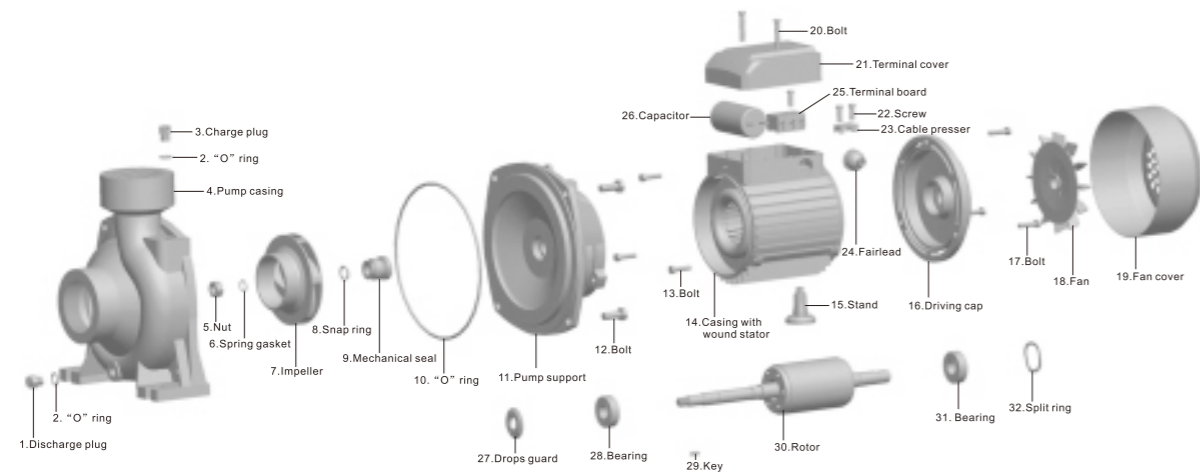
HCPF



HGAm

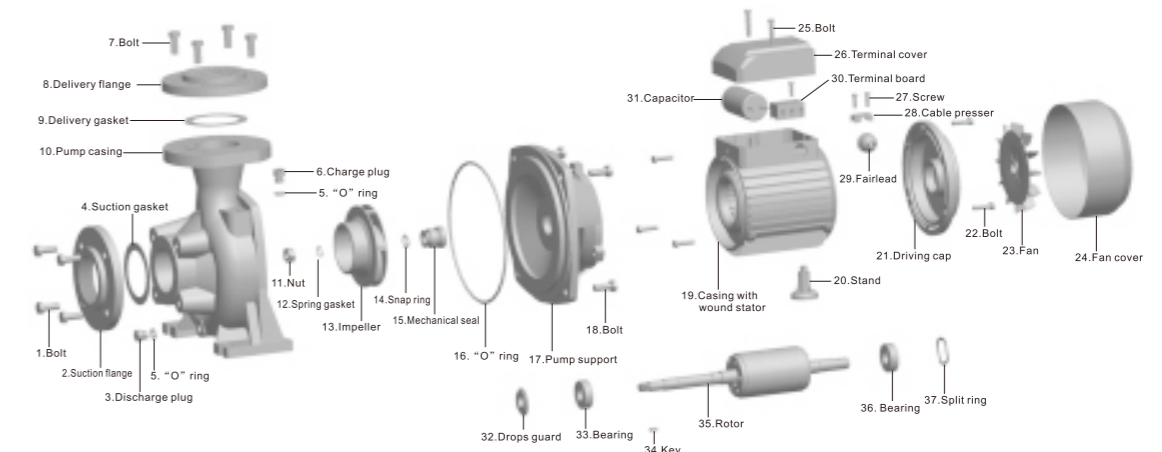


HFM

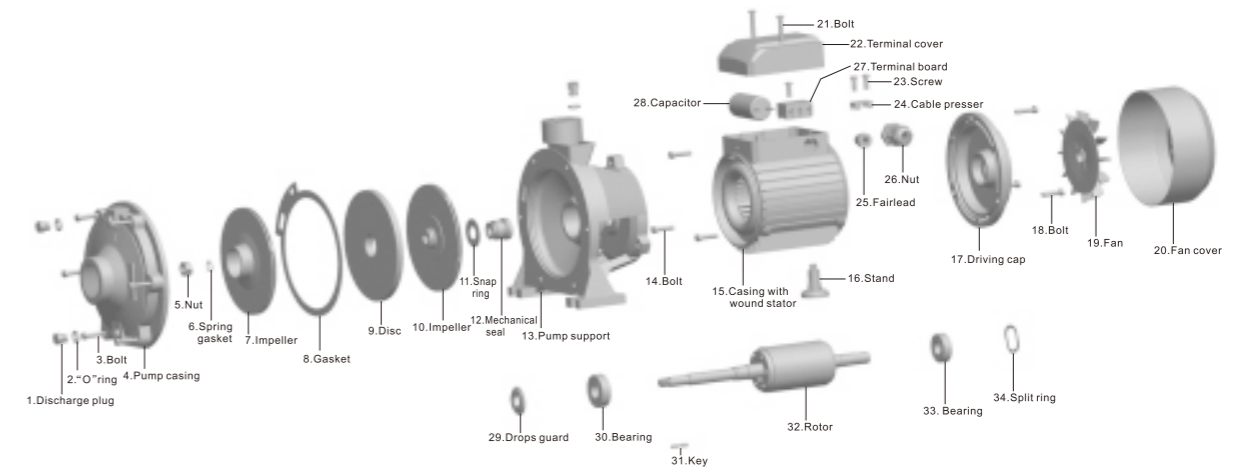


EXPLODE DRAWING

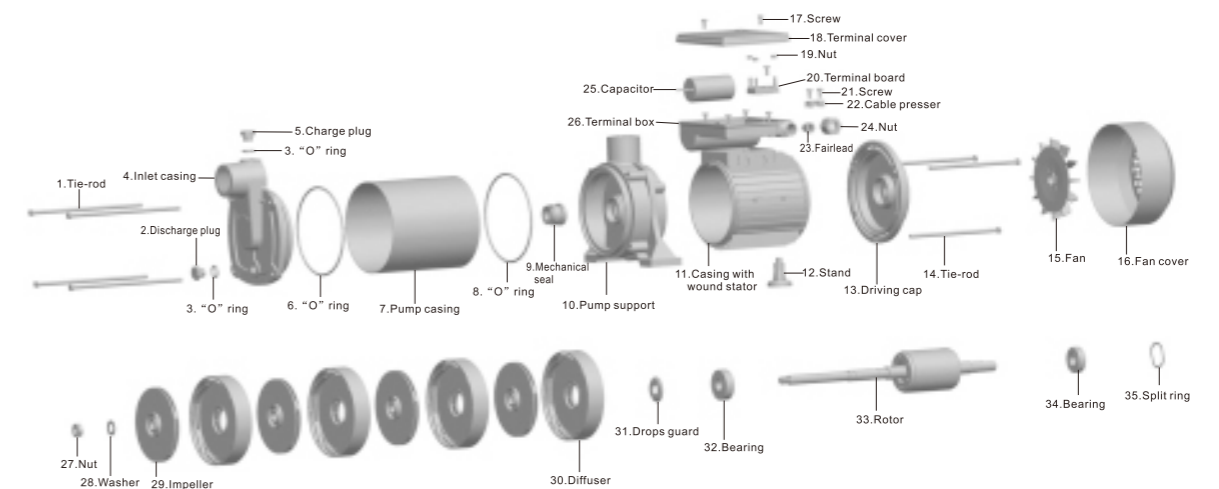
HNF



2HCP

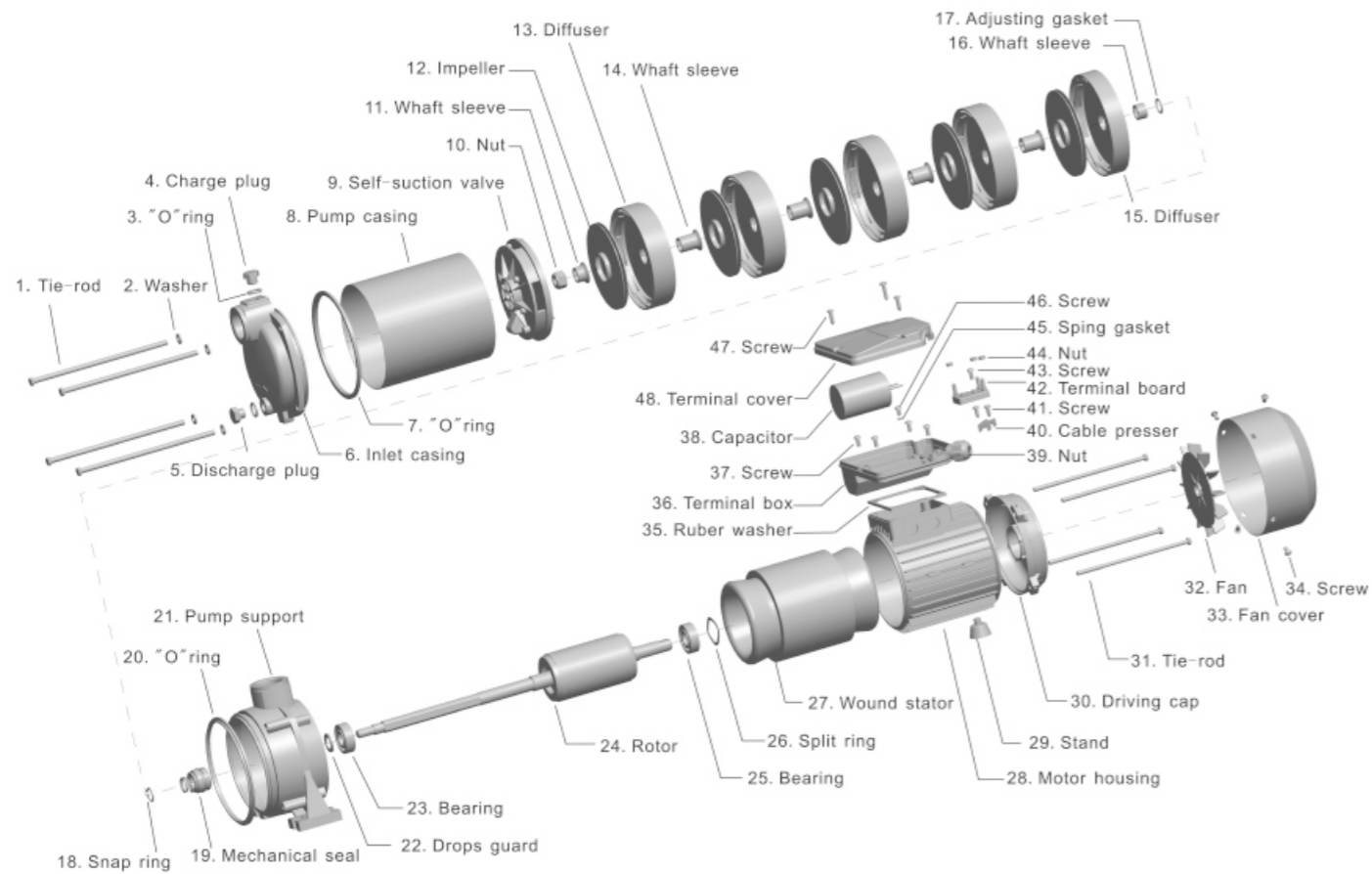


HMC-S



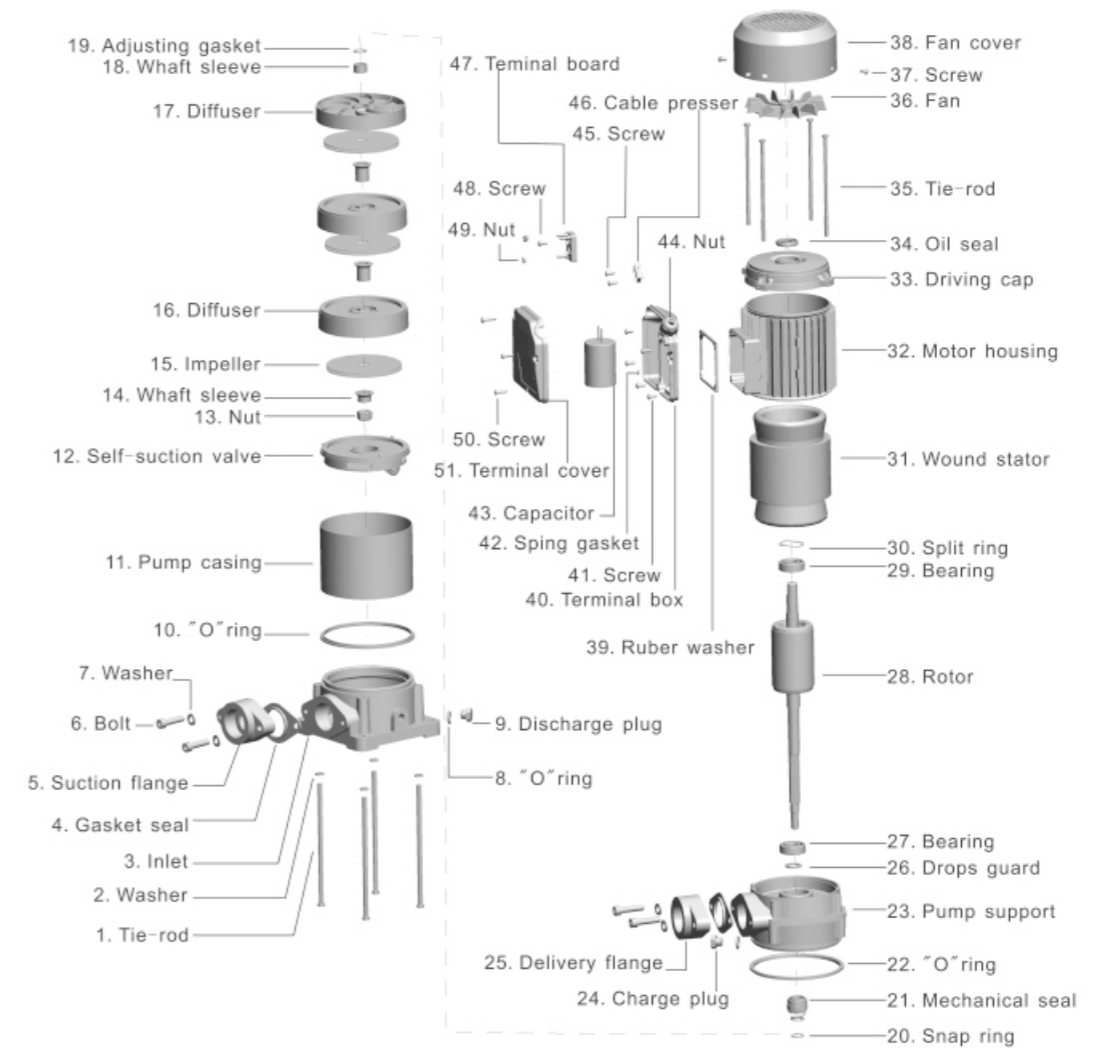
EXPLODE DRAWING

HMC-SH



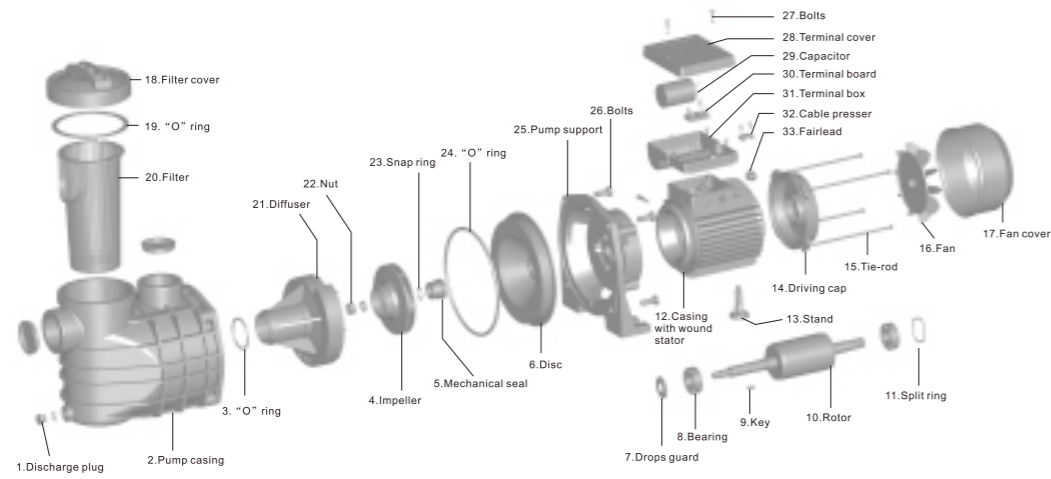
EXPLODE DRAWING

HMC-SV

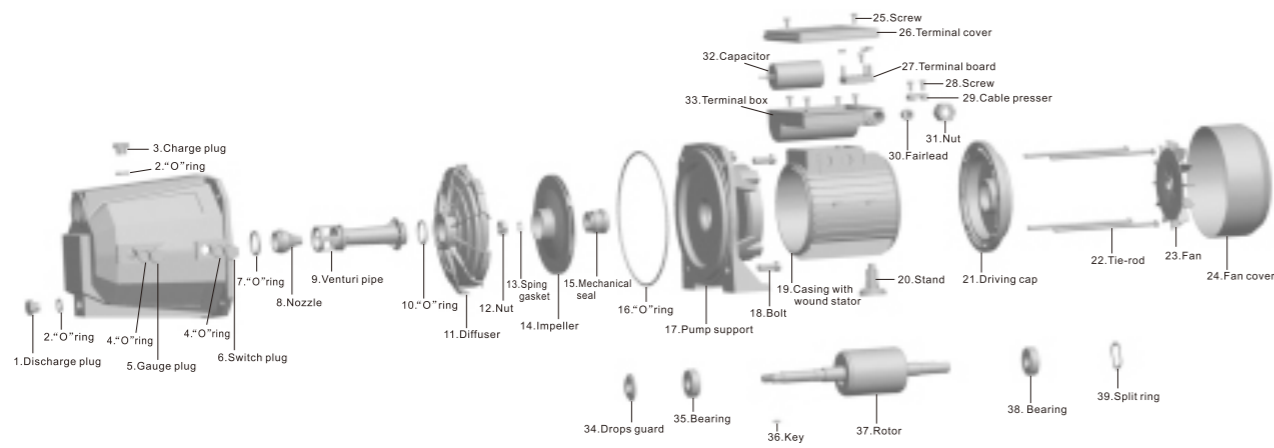


EXPLODE DRAWING

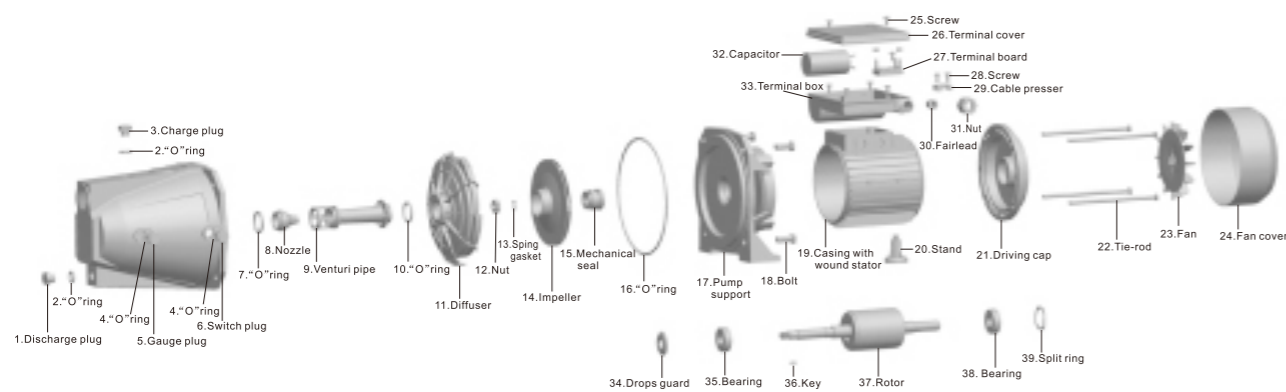
HFC



JET-A

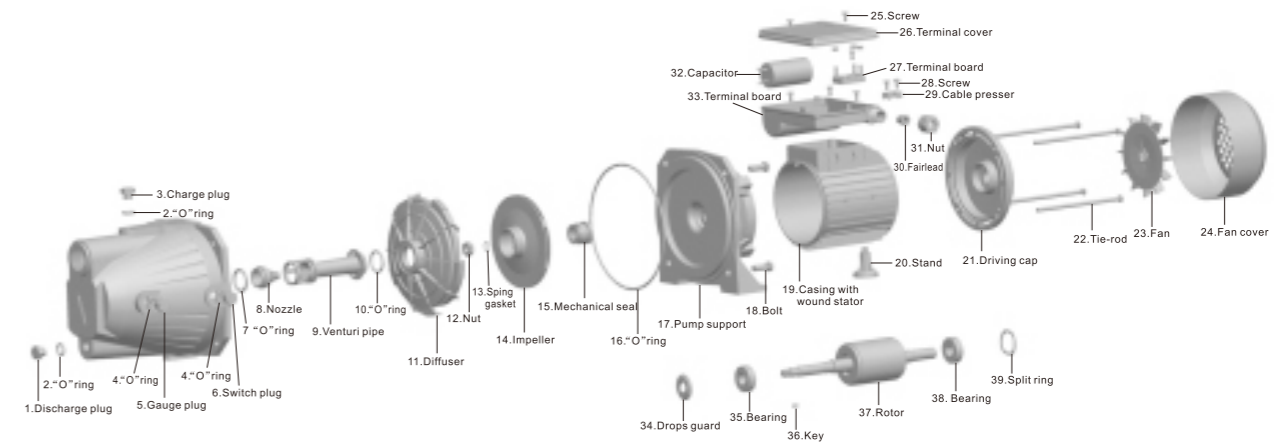


JET-B

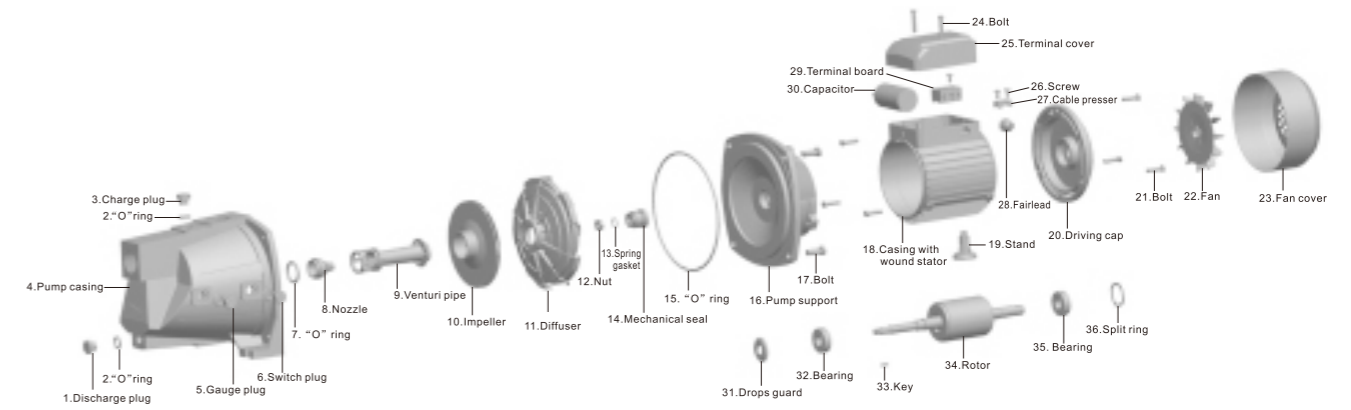


EXPLODE DRAWING

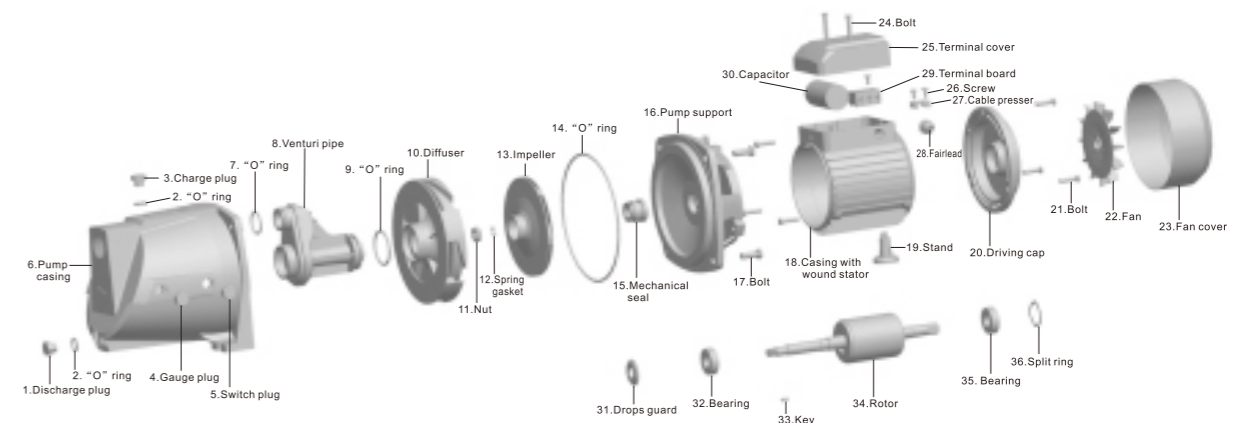
JET-C



JSP

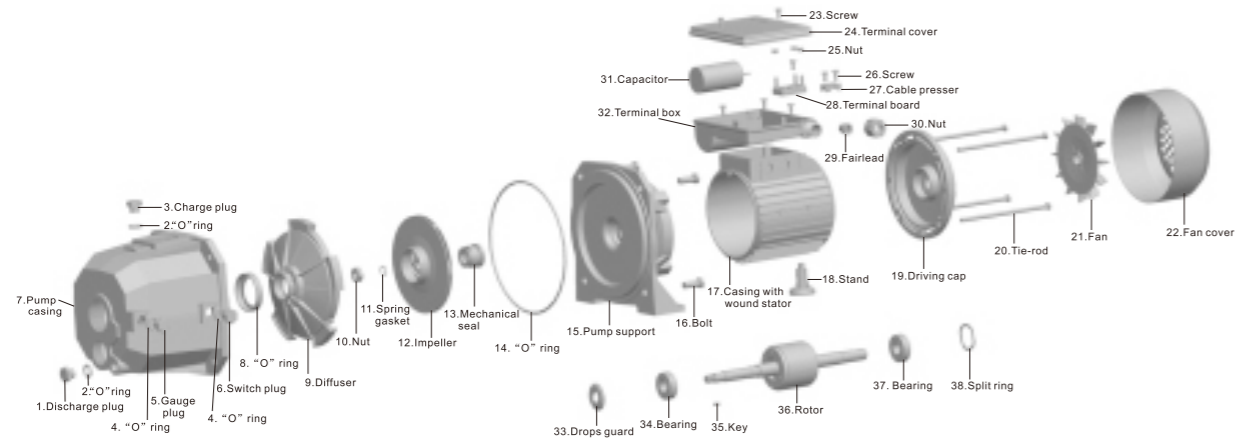


HJ

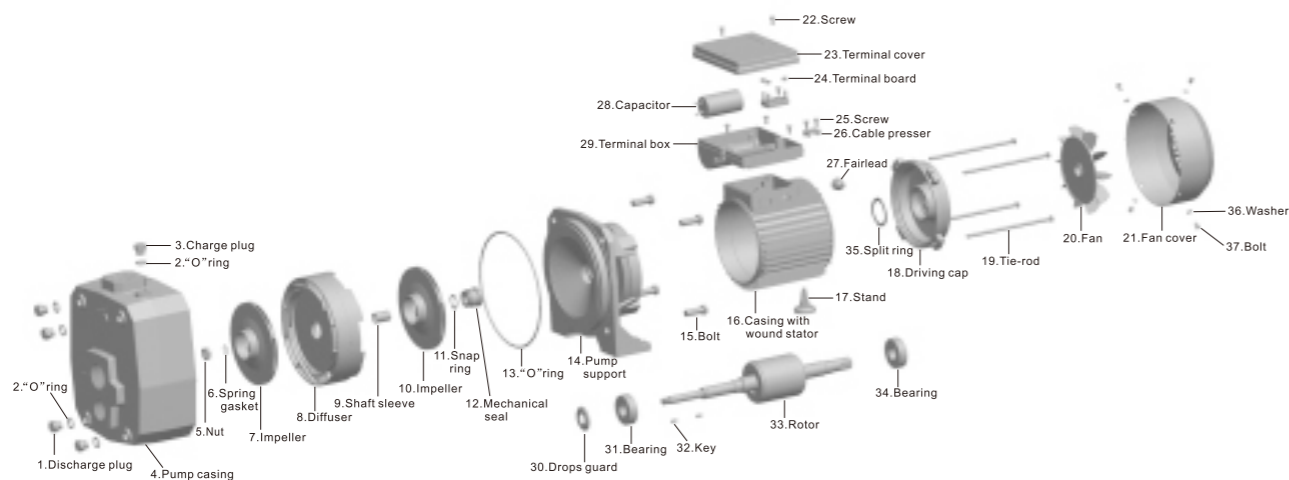


EXPLODE DRAWING

JETDP

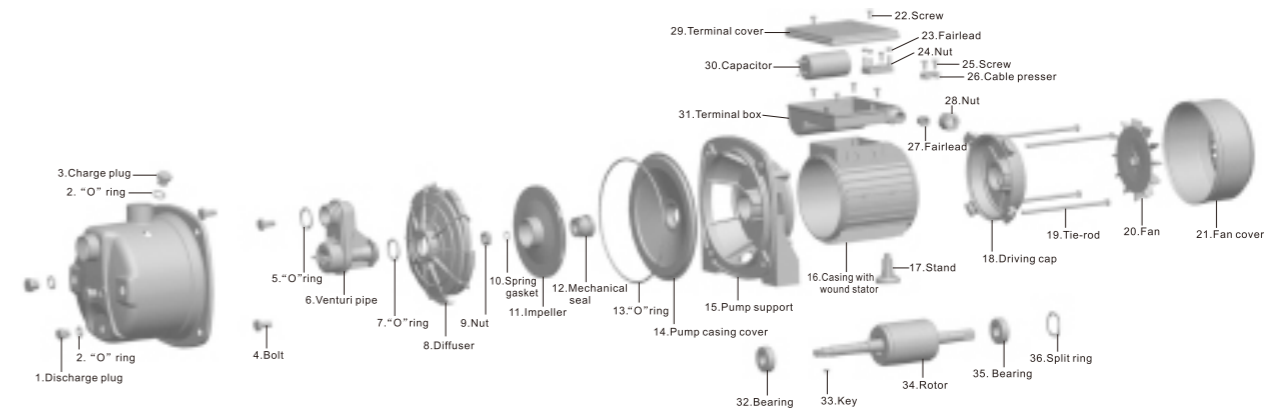


DP

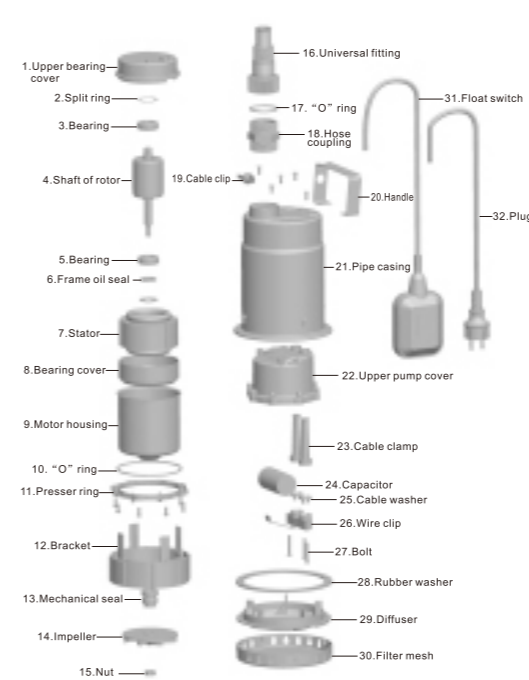


EXPLODE DRAWING

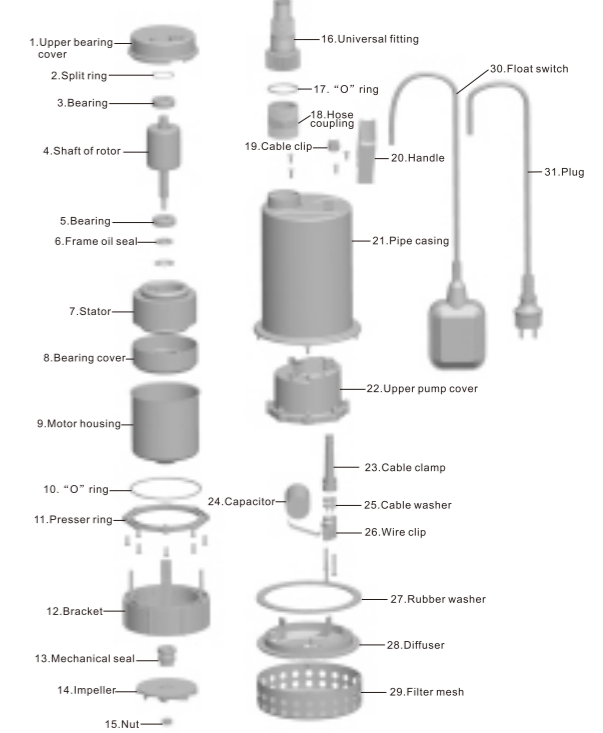
SJET-B



QDS-C

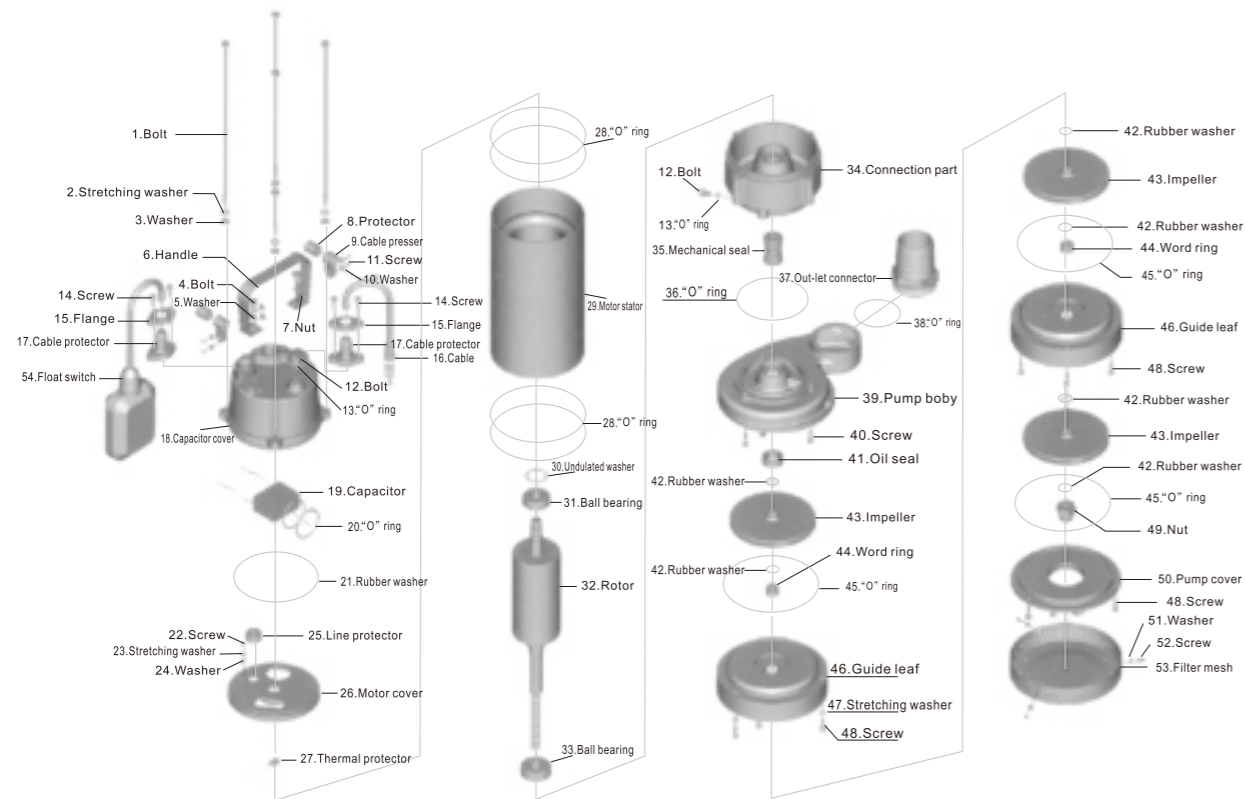


QDS-D



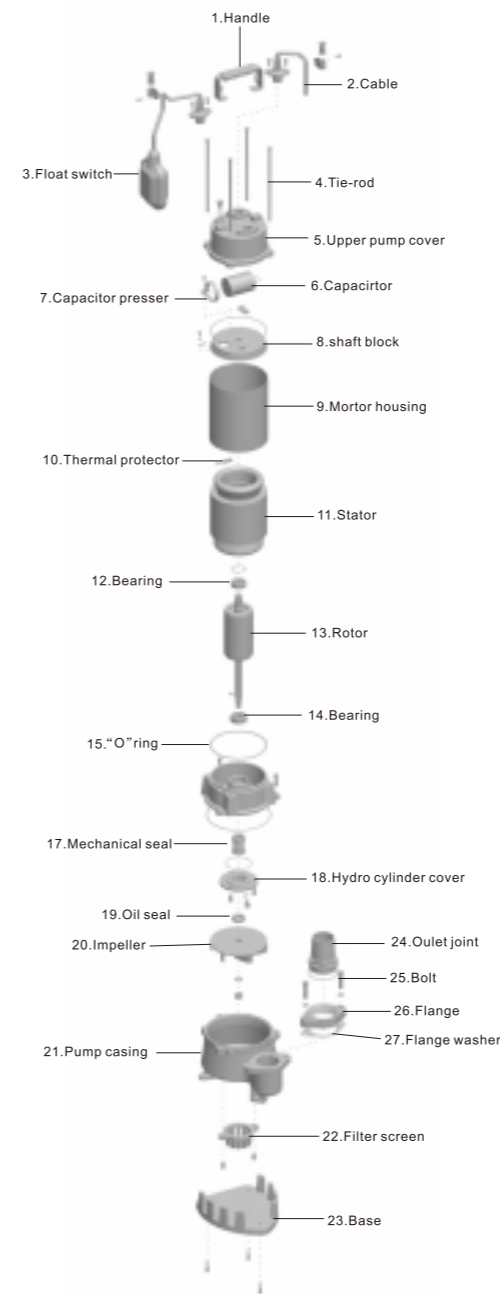
EXPLODE DRAWING

QDX-A

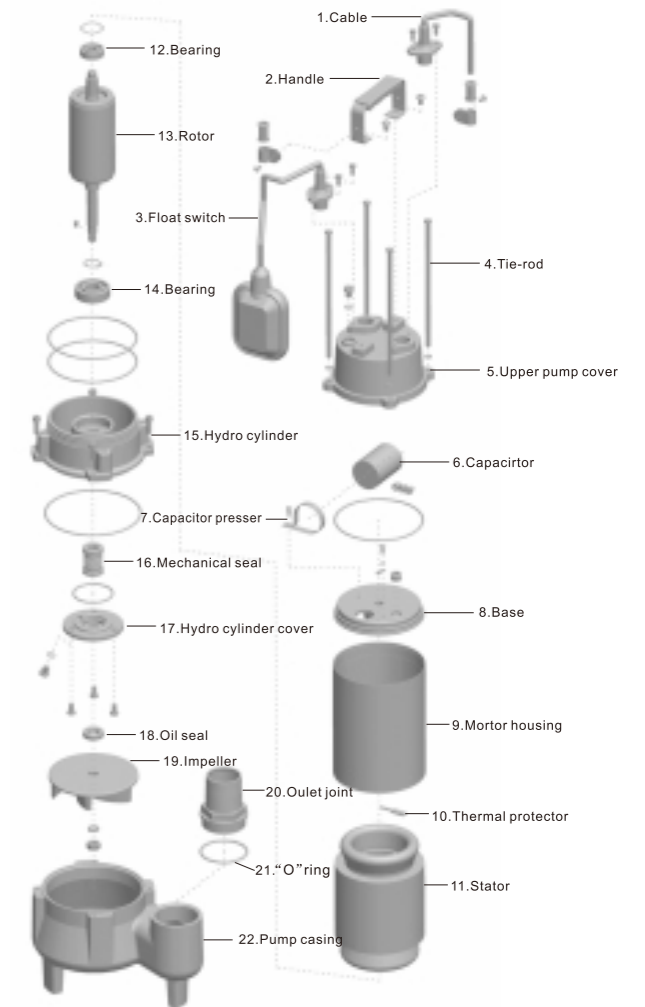


EXPLODE DRAWING

WQD-D

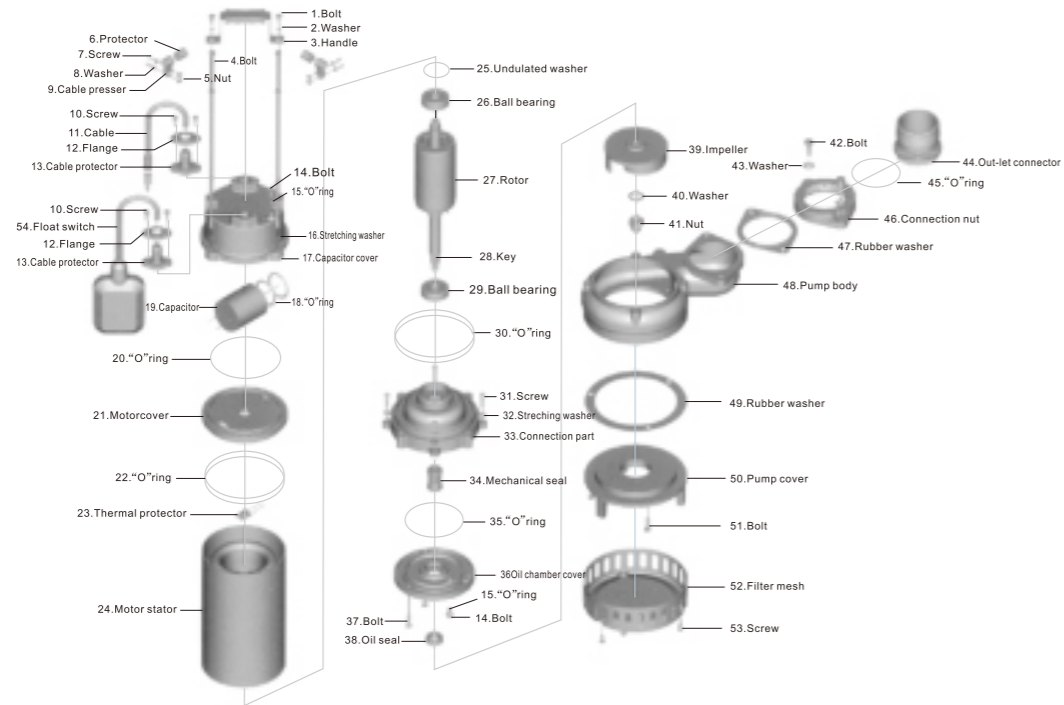


HVT



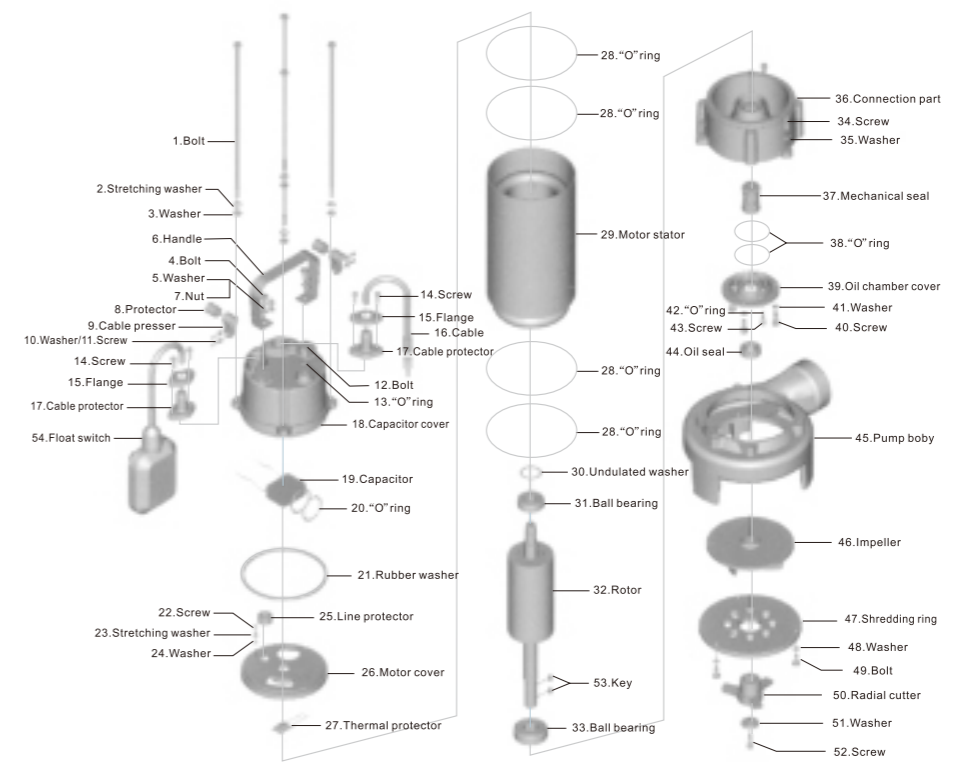
EXPLODE DRAWING

V2200F

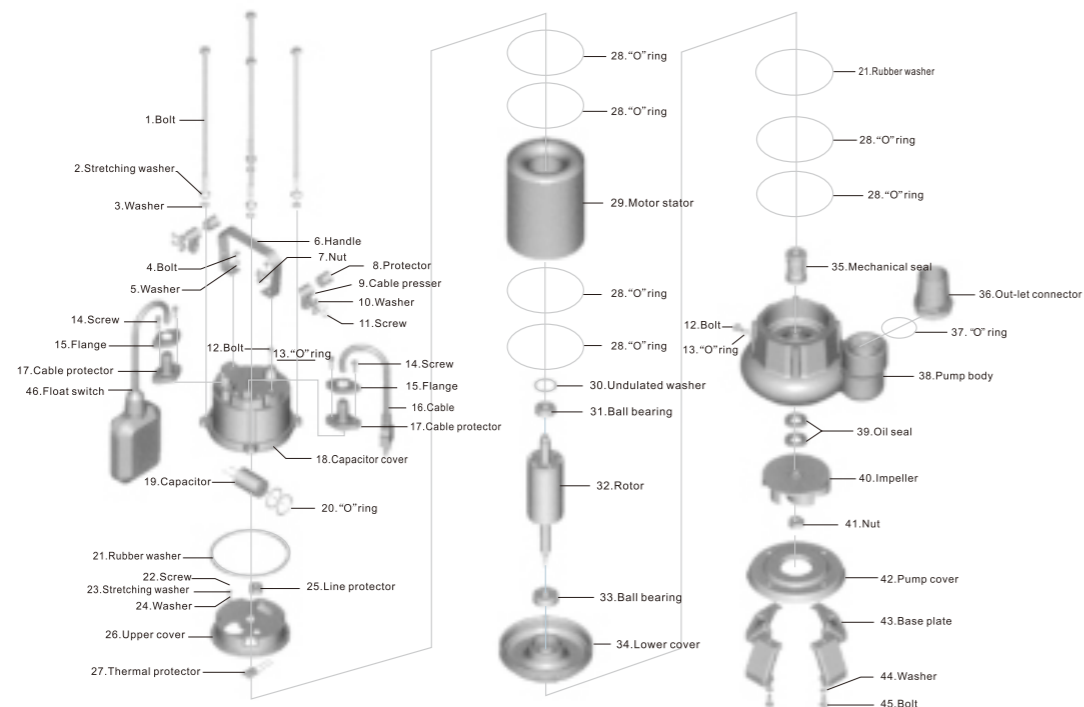


EXPLODE DRAWING

HD1150F~HD1550F



H800F-B~H2250F-B



PRESSURE BOOSTER SETS



QB60-24CF	QB60-24SF
QB70-24CF	QB70-24SF
QB80-24CF	QB80-24SF
HKm60-24CF	HKm60-24SF
HKm70-24CF	HKm70-24SF
HKm80-24CF	HKm80-24SF
IDB35-24CF	IDB35-24SF
IDB40-24CF	IDB40-24SF
IDB50-24CF	IDB50-24SF
VPm45-24CF	VPm45-24SF
VPm80-24CF	VPm80-24SF
VP5M-24CF	VP5M-24SF
VP10M-24CF	VP10M-24SF
JET-60A/B/C-24CF	JET-60A/B/C-24SF
JET-80A/B/C-24CF	JET-80A/B/C-24SF
JET-100A/B/C-24CF	JET-100A/B/C-24SF
JET-150A-24CF	JET-150A-24SF
JET-180A-24CF	JET-180A-24SF
JET-200A-24CF	JET-200A-24SF
JSP-60-24CF	JSP-60-24SF
JSP-80-24CF	JSP-80-24SF
JSP-100-24CF	JSP-100-24SF
JSP-150-24CF	JSP-150-24SF
JSP-200-24CF	JSP-200-24SF
HJ-10M-24CF	HJ-10M-24SF
HJ-10H-24CF	HJ-10H-24SF
HJ-15M-24CF	HJ-15M-24SF
SJET-60B/C-24CF	SJET-60B/C-24SF
SJET-80B/C-24CF	SJET-80B/C-24SF
SJET-100B/C-24CF	SJET-100B/C-24SF

NEW SHAPE FOR CHOOSING



QB60-A	HFM-80-A	HMC90-SV-A
QB70-A	HFM-85-A	HMC145-SV-A
QB80-A	HGAm-70-A	HMC170-SV-A
HKm60-A	HGAm-75-A	JET-150A-A
HKm70-A	HGAm-80-A	JET-180A-A
HKm80-A	HCK-30-A	JET-200A-A
HKS-60-A	HCK-36-A	JSP-60-A
HKS-70-A	HCT-18S-A	JSP-80-A
HKS-80-A	HCT-20S-A	JSP-100-A
HCm130-A	HCT-26S-A	JSP-150-A
HCm146-A	HCT-30S-A	HJ-10M-A
HCm158-A	HCT-33S-A	HJ-15M-A
HCm180-A	HNF-128A-A	HFC-900-A
HCm190-A	HNF-129B-A	HFC-1100-A
HCm200-A	HNF-129A-A	HFC-1500-A
HCm130-1-A	HNF-130C-A	HFC-2200-A
HCm146-1-A	HNF-130B-A	JET-60A/B/C-A
HCm158-1-A	2HCP-130-A	JET-80A/B/C-A
HCm130-2-A	2HCP-140M-A	JET-100A/B/C-A
HCm158-2-A	2HCP-140H-A	JET-60S-A
HCm180-2-A	2HCP-160-A	JET-80S-A
HCm190-2-A	2HCP-160B-A	JET-100S-A
HCm25-160B-A	HMC-3S-A	JETDP-255-A
HCm40-160B-A	HMC-4S-A	JETDP-370-A
HCm25-160A-A	HMC-5S-A	JETDP-550-A
HCm40-160A-A	HMC60-SH-A	DP-505A-A
HCPF-60-A	HMC90-SH-A	DP-750A-A
HCPF-70-A	HMC145-SH-A	SJET-60B/C-A
HFM-70-A	HMC170-SH-A	SJET-80B/C-A
HFM-75-A	HMC60-SV-A	SJET-100B/C-A

NEW SHAPE FOR CHOOSING



- | | |
|------------|----------------|
| IDB35-E | HFC-900-E |
| VP5M-E | HFC-1100-E |
| VP10M-E | HFC-1500-E |
| HCm146-E | HFC-2200-E |
| HCm180-E | JET-60A/B/C-E |
| HCm190-E | JET-80A/B/C-E |
| HCm200-E | JET-100A/B/C-E |
| HCm146-1-E | JET-60S-E |
| HCm158-1-E | JET-80S-E |
| HCK-30-E | JET-100S-E |
| HCK-36-E | JETDP-255-E |
| HCT-18S-E | JETDP-370-E |
| HCT-20S-E | JETDP-550-E |
| HCT-26S-E | DP-505A-E |
| HCT-30S-E | DP-750A-E |
| HCT-33S-E | SJET-60B/C-E |
| HMC-3S-E | SJET-80B/C-E |
| HMC-4S-E | SJET-100B/C-E |
| HMC-5S-E | |

NEW SHAPE FOR CHOOSING



- | | |
|--------------|-------------|
| QB60-E | HFM-80-E |
| QB70-E | HFM-85-E |
| QB80-E | HGAm-70-E |
| HKm60-E | HGAm-75-E |
| HKm70-E | HGAm-80-E |
| HKm80-E | HNF-128A-E |
| HKS-60-E | HNF-129B-E |
| HKS-70-E | HNF-129A-E |
| HKS-80-E | HNF-130C-E |
| HCm158-E | HNF-130B-E |
| HCm158-2-E | 2HCP-130-E |
| HCm180-2-E | 2HCP-140M-E |
| HCm190-2-E | 2HCP-140H-E |
| HCm25-160B-E | 2HCP-160-E |
| HCm40-160B-E | 2HCP-160B-E |
| HCm25-160A-E | JET-150A-E |
| HCm40-160A-E | JET-180A-E |
| HCPF-60-E | JET-200A-E |
| HCPF-70-E | JSP-60-E |
| HFM-70-E | JSP-80-E |
| HFM-75-E | JSP-100-E |
| | JSP-150-E |
| | HJ-10M-E |
| | HJ-15M-E |

ACCESSORIES Pressure Tank



VT/2-3



20L-24L



6L-12L



2L-36L



19L-100L



19L-100L



5L-100L



100L-500L

ACCESSORIES Pressure Control



EPC-1



EPC-2



EPC-2.1



EPC-3



EPC-3P



EPC-4



EPC-5



EPC-5.1



EPC-15

ACCESSORIES

Pressure Control



EPC-7



EPC-11A



EPC-12



KRS-2



KRS-3



KRS-5



3WAY



4WAY



5WAY



FOOT VALVE



BRASS CHECK VALVE

