



ZHEJIANG HAPPY PUMP INDUSTRY CO., LTD

Address: Dayangcheng Industrial Zone, Daxi, Wenling, Zhejiang, China.

PC: 317525

Email: admin@happypump.com

Tel: +86-576-86305888

Fax: +86-576-86338978

[www.happypump.com](http://www.happypump.com)

Note: this directory all series of products, there may be errors between data and actual, please refer to our actual product.  
Are subject to change without prior notice.



2020

ZHEJIANG HAPPY PUMP  
INDUSTRY CO., LTD



**THE FOUNDATION  
OF LIFE** [www.happypump.com](http://www.happypump.com)

# THE FOUNDATION OF LIFE

Zhejiang Happy Pump Industry Co.,Ltd  
[www.happypump.com](http://www.happypump.com)

# ABOUT US

1997 - 2020 Zhejiang Happy Pump Industry Co.,Ltd

## The foundation of life

55,000 m<sup>2</sup>

Division covers an area of  
55,000 square meters

2,500,000 sets

Annual sales reached 2.5 million units

70,000,000 USD

Annual sales reached more than 70  
million dollars

Zhejiang Happy Pump Industry Co., Ltd. is located in Wenling, Taizhou city, which is known as "the city of motors". It is a joint-stock enterprise specializing in the production of pumps and motors. The company was founded in 1997, relying on 20 years of spring and Autumn bath accumulated production and management philosophy, Happy pump Industry Co., Ltd. in the industry with the integrity and quality as always and the spirit of innovation to constantly bring forth the new, well-known at home and abroad, and towards the scale, intensive and professional new height, steady progress. The company covers an area of 55,000 square meters, construction area of 110,000 square meters, more than 800 employees, including more than 100 professional and technical personnel. In 2019 year, the sales volume reached more than 2.5 million sets, the sales volume reached more than 500 million yuan, the products are exported to more than 150 countries and regions, the visibility in the world is constantly improving.

The company has five workshops of metalworking, motor, rotor, punching and assembly, which all realize assembly line operation. Its products include all kinds of pumps and motors, up to more than 500 specifications.

In recent years, the company's technical center has introduced coil vacuum dip paint, automatic drying, automatic production equipment. Advanced production equipment with PRO/E 3D design system, CFD (computational fluid Dynamics), motor electromagnetic design, finite element analysis and other auxiliary design software, greatly shorten the product development cycle. Product performance automatic acquisition system and the introduction of Japanese FUKEDA [Futian] high-precision air test system and a series of efficient delivery inspection and testing system, the use of scientific "7S" field management mode and professional elite capable technical personnel to create "HAPPY" brand products of high quality.

All these achievements are just a start for development of enterprise. With ever-changing world economy situations, enterprise also confronts competition and development, and to seek prosperous development has become a common recognition of enterprises. Happy will, in the operation tenet of "Survival by Quality, Development by Variety", cooperate with customers for a bright tomorrow with more high-quality products and perfect services.

浙江豪贝泵业股份有限公司位于被称为“电机之城”的台州温岭市，是一家专业生产水泵与电机的股份制企业。公司创立于1997年，凭借20载春秋沐浴积淀而成的生产经营理念，豪贝泵业股份有限公司以一如既往的诚信品质和不断推陈出新的创新精神领衔于业内，在海内外闻名遐迩，并朝着规模化，集约化和专业化的新高度，稳步前进。公司占地面积55000平方米，建筑面积110000平方米，员工有800余人，其中专业技术人员100多人。去年销售量达到250万多台，销售额达到5亿多元，产品远销150多个国家与地区，在全球的知名度不断提升。

公司内设金工、电机、转子、冲件、装配五大车间，从产品定子冲压，铸造加工，电机嵌线，整机安装检测，全部实现流水线操作。旗下产品包含各类水泵和电机，达500多个规格。

近年来，公司技术中心先后引进线圈真空浸漆、自动烘干、自动化生产设备。先进的生产设备配上PRO/E三维设计系统、CFD（计算流体动力学）、电机电磁设计、有限元分析等辅助设计软件，大大缩短了产品开发周期。产品性能自动采集系统及引进日本FUKEDA【福田】高精度气试系统等一系列高效的出厂检验测试系统，运用科学的“7S”现场管理模式及专业精英干练的技术人才造就了“豪贝”牌产品的高品质。

成绩的取得对于豪贝来说，只是发展企业的开始。面临世界经济格局的不断变化，企业正处于竞争与发展同存的阶段，谋求发展繁荣共济已成为企业的共识。公司本着“以质量求生存，以创新求发展”的经营宗旨，以更优秀的产品和完善的服务与广大客户携手共进，共创新辉煌！

# HAPPY®



www.happypump.com





# CERTIFICATES OF HONOR

Zhejiang Happy Pump Industry Co., Ltd

Happy has passed through permit for manufacture of industrial products, ISO9001: 2015, ISO14001: 2015, OHSAS18001: 2007, CE and ROHS, and been awarded titles of National "Hi-tech Enterprise", "Provincial Famous Trademark", "Provincial Export Famous Brand", "Provincial Regional Brand" and "Provincial Competitive Products Manufacturing Enterprise" by People's Government of Zhejiang Province, AA-grade "Contract-honoring & Promise-keeping Unit" by Provincial Industrial and Commercial Administration, "High-tech Research & Development Center" by the municipal people's Government, and "Wenling Leading Enterprise", etc.



1997 - 2020 Zhejiang Happy Pump Industry Co.,Ltd





**01-08** YE2 high efficiency three phase asynchronous motor  
YE2高效三相异步电机  
Cast iron motor & Aluminum motor  
铸铁电机&铸铝电机  
Technical data  
技术数据  
Mounting and overall dimensions  
外形及安装尺寸



**09-16** Y2 high efficiency three phase asynchronous motor  
Y2高效三相异步电机  
Cast iron motor  
铸铁电机  
Technical data  
技术数据  
Mounting and overall dimensions  
外形及安装尺寸



**17-22** MS high efficiency three phase asynchronous motor  
MS高效三相异步电机  
Aluminum motor  
铝壳电机  
Technical data  
技术数据  
Mounting and overall dimensions  
外形及安装尺寸



**23-28** MF high efficiency three phase asynchronous motor  
MF高效三相异步电机  
Aluminum motor  
铝壳电机  
Technical data  
技术数据  
Mounting and overall dimensions  
外形及安装尺寸



**29-32** YEJ three phase asynchronous electromagnetic brake motor  
YEJ 三相异步电磁制动电机  
Cast iron motor  
铸铁电机  
Technical data  
技术数据  
Mounting and overall dimensions  
外形及安装尺寸



**33-36** YC/YCL single phase two-value capacitor asynchronous motor  
YC/YCL单相双值电容异步电机  
Cast iron motor  
铸铁电机  
Technical data  
技术数据  
Mounting and overall dimensions  
外形及安装尺寸



**37-40** YL single phase two-value capacitor asynchronous motor  
YL单相双值电容异步电机  
Cast iron motor  
铸铁电机  
Technical data  
技术数据  
Mounting and overall dimensions  
外形及安装尺寸



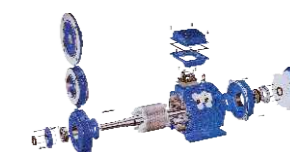
**41-46** MY single phase capacitor-run asynchronous motor  
MY单相单电容异步电机  
Aluminum motor  
铝壳电机  
Technical data  
技术数据  
Mounting and overall dimensions  
外形及安装尺寸



**47-52** ML single phase two-value capacitor asynchronous motor  
ML单相双值电容异步电机  
Aluminum motor  
铝壳电机  
Technical data  
技术数据  
Mounting and overall dimensions  
外形及安装尺寸



**53-55** Three phase motor exploded view  
三相电机爆炸图  
Single phase motor exploded view  
单相电机爆炸图





Cast iron motor  
铸铁电机



Aluminum motor  
铝壳电机

### YE2高效三相异步电机

#### 产品简介:

产品分铁壳和铝壳两种类型。铁壳电机价格便宜，外表坚硬，产品规格齐全（80-355）。铝壳电机重量轻，外形美观，导热散热好，噪声和震动小，安装方式灵活（底脚可拆卸）。产品规格为（80-132）。YE2电机完全达到GB 18613-2012的三级能效要求，也符合国际标准IEC60034-30中的IE2能效。产品节能环保，可广泛应用于风机、水泵、机床、压缩机等设备，也可用于运输，搅拌，印刷，农机，食品等各种不含易燃易爆或腐蚀性气体的场所。

#### 使用条件:

环境空气温度：-15℃≤θ≤40℃

海拔：不超过1000米

频率：50Hz或者60Hz

接法：3KW及以下规格为Y接法，4KW及以上为Δ接法。

工作方式：S1（连续工作制）

绝缘等级：F

防护等级：IP54或者IP55

冷却方式：IC411

### YE2 HIGH EFFICIENCY THREE PHASE ASYNCHRONOUS MOTOR

#### Product introduction:

YE2 electric motor has options of both aluminum housing and cast iron housing. Cast iron housing electric motor comes with cheap price, high hardness and complete production specification (80-355). Aluminum housing electric motor is light in weight, beautiful in appearance, good in heat conduction, low noise, low vibration and flexible in installation (the foot is removable). The production specification is 80-132. YE2 electric motor can totally reach level-three energy efficiency according to GB18613-2012, and also meets IE2 of international standard IEC60034-30. Energy saving and environmental protection of this products, can be widely use for fan, water pump, air compressor, injection molding machines and other equipments, as well as transportation, mixing, printing, agricultural machinery, food and other places without flammable, explosive or corrosive gases.

#### Operating conditions:

Ambient air temperature: -15℃ ≤ θ ≤ 40℃

Altitude: ≤ 1000m

Rated frequency: 50Hz/60Hz

Wiring method: Y wiring method for ≤ 3kw

△wiring method for ≥ 4kw

Working type: S1 (continuous working system)

Insulation class: F

Protection grade: IP54 or IP55

Cooling type: IC411

### YE2高效三相异步电机

#### TECHNICAL DATA OF YE2 HIGH EFFICIENCY THREE PHASE ASYNCHRONOUS MOTOR

型号 Type	额定功率 Rated Output		电压 Voltage V	频率 Frequency Hz	转速 Speed r/min	额定电流 Rated Current A	效率 EFF %	功率因数 Power Factor cos φ	堵转转矩 额定转矩 $\frac{T_s}{T_n}$	堵转电流 额定电流 $\frac{I_s}{I_n}$	最大转矩 额定转矩 $\frac{T_{max}}{T_n}$
	kW	HP									
YE2-80M1-2	0.75	1	380	50	2875	1.80	77.4	0.82	2.3	6.8	2.3
YE2-80M2-2	1.1	1.5	380	50	2875	2.53	79.6	0.83	2.3	7.1	2.3
YE2-90S-2	1.5	2	380	50	2890	3.34	81.3	0.84	2.3	7.3	2.3
YE2-90L-2	2.2	3	380	50	2890	4.73	83.2	0.85	2.3	7.6	2.3
YE2-100L-2	3	4	380	50	2890	6.19	84.6	0.87	2.3	7.8	2.3
YE2-112M-2	4	5.5	380	50	2910	8.05	85.8	0.88	2.2	8.1	2.3
YE2-132S1-2	5.5	7.5	380	50	2930	10.9	87	0.88	2.2	8.2	2.3
YE2-132S2-2	7.5	10	380	50	2930	14.5	88.1	0.89	2.2	7.8	2.3
YE2-160M1-2	11	15	380	50	2930	21.0	89.4	0.89	2.2	7.9	2.3
YE2-160M2-2	15	20	380	50	2930	28.4	90.3	0.89	2.2	7.9	2.3
YE2-160L-2	18.5	25	380	50	2930	34.7	90.9	0.89	2.2	8	2.3
YE2-180M-2	22	30	380	50	2940	41.1	91.3	0.89	2.2	8.1	2.3
YE2-200L1-2	30	40	380	50	2950	55.7	92	0.89	2	7.5	2.3
YE2-200L2-2	37	50	380	50	2950	68.3	92.5	0.89	2	7.5	2.3
YE2-225M-2	45	60	380	50	2960	82.7	92.9	0.89	2.2	7.5	2.3
YE2-250M-2	55	75	380	50	2960	101	93.2	0.89	2.2	7.6	2.3
YE2-280S-2	75	100	380	50	2970	137	93.8	0.89	1.8	6.9	2.3
YE2-280M-2	90	125	380	50	2970	163	94.1	0.89	1.8	6.9	2.3
YE2-315S-2	110	150	380	50	2975	197	94.3	0.9	1.8	7	2.2
YE2-315M-2	132	180	380	50	2975	236	94.6	0.9	1.8	7	2.2
YE2-315L1-2	160	200	380	50	2975	282	94.8	0.91	1.8	7.1	2.2
YE2-315L2-2	200	270	380	50	2975	352	95	0.91	1.6	7.1	2.2
YE2-355M1-2	250	340	380	50	2980	439	95	0.91	1.6	7.1	2.2
YE2-355L-2	315	430	380	50	2980	554	95	0.91	1.6	7.2	2.2



技术数据 TECHNICAL DATA

YE2高效三相异步电机

TECHNICAL DATA OF YE2 HIGH EFFICIENCY THREE PHASE ASYNCHRONOUS MOTOR

型号 Type	额定功率 Rated Output		电压 Voltage V	频率 Frequency Hz	转速 Speed r/min	额定电流 Rated Current A	效率 EFF %	功率因数 Power Factor cos φ	堵转转矩 额定转矩 $\frac{T_s}{T_n}$	堵转电流 额定电流 $\frac{I_s}{I_n}$	最大转矩 额定转矩 $\frac{T_{max}}{T_n}$
	kW	HP									
YE2-80M-4	0.75	1	380	50	1400	1.88	79.6	0.76	2.3	6.4	2.3
YE2-90S-4	1.1	1.5	380	50	1440	2.67	81.4	0.77	2.3	6.6	2.3
YE2-90L-4	1.5	2	380	50	1440	3.53	82.8	0.78	2.3	6.7	2.3
YE2-100L1-4	2.2	3	380	50	1440	4.96	84.3	0.8	2.3	7.3	2.3
YE2-100L2-4	3	4	380	50	1440	6.58	85.5	0.81	2.3	7.5	2.3
YE2-112M-4	4	5.5	380	50	1440	8.66	86.6	0.81	2.3	7.5	2.3
YE2-132S-4	5.5	7.5	380	50	1445	11.6	87.7	0.82	2	7.5	2.3
YE2-132M-4	7.5	10	380	50	1455	15.5	88.7	0.83	2	7.3	2.3
YE2-160M-4	11	15	380	50	1460	22.4	89.8	0.83	2	7.4	2.3
YE2-160L-4	15	20	380	50	1460	29.9	90.6	0.84	2	7.5	2.3
YE2-180M-4	18.5	25	380	50	1470	36.3	91.2	0.85	2	7.6	2.3
YE2-180L-4	22	30	380	50	1470	42.9	91.6	0.85	2.1	7.7	2.3
YE2-200L-4	30	40	380	50	1470	58.1	92.3	0.85	2.1	7.1	2.3
YE2-225S-4	37	50	380	50	1480	70.5	92.7	0.86	2.1	7.3	2.3
YE2-225M-4	45	60	380	50	1480	85.4	93.1	0.86	2.2	7.3	2.3
YE2-250M-4	55	75	380	50	1480	104	93.5	0.86	2.2	7.3	2.3
YE2-280S-4	75	100	380	50	1480	139	94	0.87	2.2	6.8	2.3
YE2-280M-4	90	125	380	50	1480	165	94.2	0.88	2.2	6.9	2.3
YE2-315S-4	110	150	380	50	1485	199	94.5	0.89	2.1	6.9	2.2
YE2-315M-4	132	180	380	50	1485	238	94.7	0.89	2.1	6.9	2.2
YE2-315L1-4	160	200	380	50	1485	285	94.9	0.9	2.1	6.9	2.2
YE2-315L2-4	200	270	380	50	1485	355	95.1	0.9	2.1	6.9	2.2
YE2-355M-4	250	340	380	50	1485	444	95.1	0.9	2	6.9	2.2
YE2-355L-4	315	430	380	50	1485	559	95.1	0.9	2	6.9	2.2

YE2高效三相异步电机

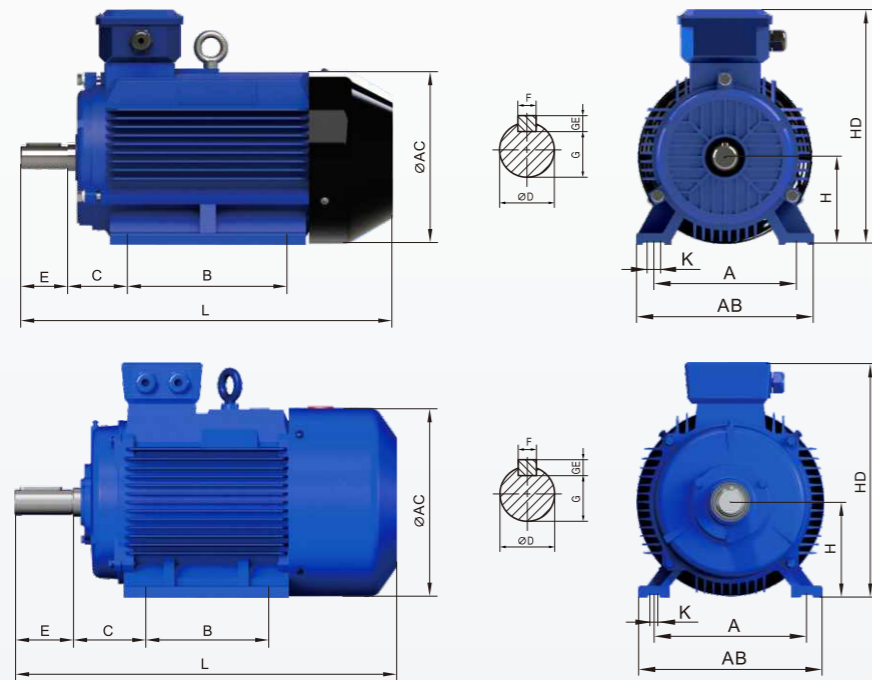
TECHNICAL DATA OF YE2 HIGH EFFICIENCY THREE PHASE ASYNCHRONOUS MOTOR

型号 Type	额定功率 Rated Output		电压 Voltage V	频率 Frequency Hz	转速 Speed r/min	额定电流 Rated Current A	效率 EFF %	功率因数 Power Factor cos φ	堵转转矩 额定转矩 $\frac{T_s}{T_n}$	堵转电流 额定电流 $\frac{I_s}{I_n}$	最大转矩 额定转矩 $\frac{T_{max}}{T_n}$
	kW	HP									
YE2-90S-6	0.75	1	380	50	930	2.11	75.9	0.71	2	5.8	2.1
YE2-90L-6	1.1	1.5	380	50	940	2.97	78.1	0.72	2	5.9	2.1
YE2-100L-6	1.5	2	380	50	945	3.97	79.8	0.72	2	5.9	2.1
YE2-112M-6	2.2	3	380	50	960	5.68	81.8	0.72	2	6.2	2.1
YE2-132S-6	3	4	380	50	960	7.60	83.3	0.72	2	6.4	2.1
YE2-132M1-6	4	5.5	380	50	965	9.71	84.6	0.74	2	6.6	2.1
YE2-132M2-6	5.5	7.5	380	50	965	13.0	86	0.75	2	6.8	2.1
YE2-160M-6	7.5	10	380	50	970	16.8	87.2	0.78	2	6.8	2.1
YE2-160L-6	11	15	380	50	970	23.9	88.7	0.79	2	6.9	2.1
YE2-180L-6	15	20	380	50	975	31.0	89.7	0.82	2	7.3	2.1
YE2-200L1-6	18.5	25	380	50	980	38.9	90.4	0.8	2	7.2	2.1
YE2-200L2-6	22	30	380	50	980	45.4	90.9	0.81	2	7.3	2.1
YE2-225M-6	30	40	380	50	980	60.6	91.7	0.82	2	6.8	2.1
YE2-250M-6	37	50	380	50	980	73.5	92.2	0.83	2	7	2.1
YE2-280S-6	45	60	380	50	980	86.8	92.7	0.85	2	7.2	2
YE2-280M-6	55	75	380	50	980	104	93.1	0.86	2	7.2	2
YE2-315S-6	75	100	380	50	985	145	93.7	0.84	2	6.5	2
YE2-315M-6	90	125	380	50	985	171	94	0.85	2	6.6	2
YE2-315L1-6	110	150	380	50	985	209	94.3	0.85	2	6.6	2
YE2-315L2-6	132	180	380	50	985	247	94.6	0.86	2	6.6	2
YE2-355M1-6	160	200	380	50	990	298	94.8	0.86	2	6.7	2
YE2-355M2-6	200	270	380	50	990	372	95	0.86	2	6.8	2
YE2-355L-6	250	340	380	50	990	465	95	0.86	2	6.8	2

## 三相异步电动机的安装数据

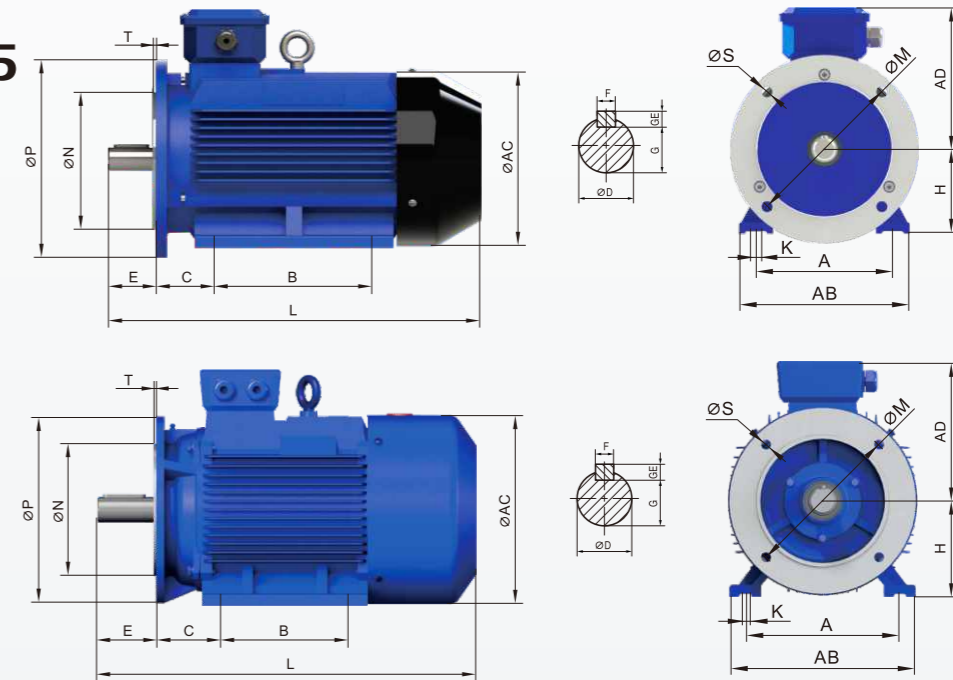
MOUNTING DATA FOR THREE PHASE ASYNCHRONOUS MOTOR

### IM B3



FRAME SIZE	POLES	A	AB	AC	B	C	D	E	F	G	GE	H	HD	K	L
YE2-80M	2 4 6	125	160	167	100	50	19	40	6	15.5	6	80	227	10	304
YE2-90S	2 4 6	140	176	182	100	56	24	50	8	20	7	90	245	10	336
YE2-90L	2 4 6	140	176	182	125	56	24	50	8	20	7	90	245	10	361
YE2-100L	2 4 6	160	200	205	140	63	28	60	8	24	7	100	266	12	406
YE2-112M	2 4 6	190	230	230	140	70	28	60	8	24	7	112	300	12	394
YE2-132S	2 4 6	216	262	258	140	89	38	80	10	33	8	132	335	12	438
YE2-132M	2 4 6	216	262	258	178	89	38	80	10	33	8	132	335	12	476
YE2-160M	2 4 6	254	314	314	210	108	42	110	12	37	8	160	410	14.5	608
YE2-160L	2 4 6	254	314	314	254	108	42	110	12	37	8	160	410	14.5	652
YE2-180M	2 4 6	279	349	355	241	121	48	110	14	42.5	9	180	455	14.5	688
YE2-180L	2 4 6	279	349	355	279	121	48	110	14	42.5	9	180	455	14.5	726
YE2-200L	2 4 6	318	388	397	305	133	55	110	16	49	10	200	505	18.5	779
YE2-225S	4	356	431	446	286	149	60	140	18	53	11	225	550	18.5	824
YE2-225M	2	356	431	446	311	149	55	110	16	49	10	225	550	18.5	819
YE2-225M	4 6	356	431	446	311	149	60	140	18	53	11	225	550	18.5	849
YE2-250M	2	406	484	485	349	168	60	140	18	53	11	250	610	24	910
YE2-250M	4 6	406	484	485	349	168	65	140	18	58	11	250	610	24	910
YE2-280S	2	457	542	547	368	190	65	140	18	58	11	280	670	24	982
YE2-280S	4 6	457	542	547	368	190	75	140	20	67.5	12	280	670	24	982
YE2-280M	2	457	542	547	419	190	65	140	18	58	11	280	670	24	1033
YE2-280M	4 6	457	542	547	419	190	75	140	20	67.5	12	280	670	24	1033
YE2-315S	2	508	628	620	406	216	65	140	18	58	11	315	840	28	1194
YE2-315S	4 6	508	628	620	406	216	80	170	22	71	14	315	840	28	1224
YE2-315M	2	508	628	620	457	216	65	140	18	58	11	315	840	28	1304
YE2-315M	4 6	508	628	620	457	216	80	170	22	71	14	315	840	28	1334
YE2-315L	2	508	628	620	508	216	65	140	18	58	11	315	840	28	1304
YE2-315L	4 6	508	628	620	508	216	80	170	22	71	14	315	840	28	1334
YE2-355M	2	610	726	698	560	254	75	140	20	67.5	12	355	1000	28	1486
YE2-355M	4 6	610	726	698	560	254	95	170	25	86	14	355	1000	28	1516
YE2-355L	2	610	726	698	630	254	75	140	20	67.5	12	355	1000	28	1486
YE2-355L	4 6	610	726	698	630	254	95	170	25	86	14	355	1000	28	1516

### IM B35



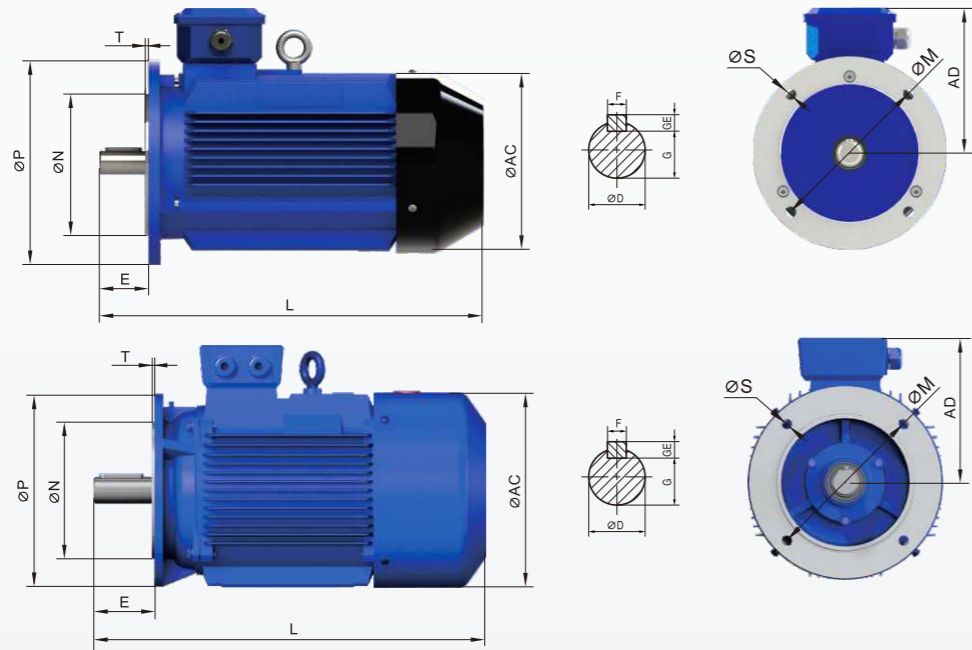
FRAME SIZE	POLES	A	AB	AC	B	C	D	E	F	G	GE	H	AD	K	L	M	N	P	S	T
YE2-80M	2 4 6	125	160	167	100	50	19	40	6	15.5	6	80	147	10	304	165	130	200	12	3.5
YE2-90S	2 4 6	140	176	182	100	56	24	50	8	20	7	90	155	10	336	165	130	200	12	3.5
YE2-90L	2 4 6	140	176	182	125	56	24	50	8	20	7	90	155	10	361	165	130	200	12	3.5
YE2-100L	2 4 6	160	200	205	140	63	28	60	8	24	7	100	166	12	406	215	180	250	14.5	4
YE2-112M	2 4 6	190	230	230	140	70	28	60	8	24	7	112	188	12	394	215	180	250	14.5	4
YE2-132S	2 4 6	216	262	258	140	89	38	80	10	33	8	132	203	12	438	265	230	300	14.5	4
YE2-132M	2 4 6	216	262	258	178	89	38	80	10	33	8	132	203	12	476	265	230	300	14.5	4
YE2-160M	2 4 6	254	314	314	210	108	42	110	12	37	8	160	250	14.5	608	300	250	350	18.5	5
YE2-160L	2 4 6	254	314	314	254	108	42	110	12	37	8	160	250	14.5	652	300	250	350	18.5	5
YE2-180M	2 4 6	279	349	355	241	121	48	110	14	42.5	9	180	275	14.5	688	300	250	350	18.5	5
YE2-180L	2 4 6	279	349	355	279	121	48	110	14	42.5	9	180	275	14.5	726	300	250	350	18.5	5
YE2-200L	2 4 6	318	388	397	305	133	55	110	16	49	10	200	305	18.5	779	350	300	400	18.5	5
YE2-225S	4	356	431	446	286	149	60	140	18	53	11	225	325	18.5	824	400	350	450	18.5	5
YE2-225M	2	356	431	446	311	149	55	110	16	49	10	225	325	18.5	819	400	350	450	18.5	5
YE2-225M	4 6	356	431	446	311	149	60	140	18	53	11	225	325	18.5	849	400	350	450	18.5	5
YE2-250M	2	406	484	485	349	168	60	140	18	53	11	250	360	24	910	500	450	550	18.5	5
YE2-250M	4 6	406	484	485	349	168	65	140	18	58	11	250	360	24	910	500	450	550	18.5	5
YE2-280S	2	457	542	547	368	190	65	140	18	58	11	280	390	24	982	500	450	550	18.5	5
YE2-280S	4 6	457	542	547	368	190	75	140	20	67.5	12	280	390	24	982	500	450	550	18.5	5
YE2-280M	2	457	542	547	419	190	65	140	18	58	11	280	390	24	1033	500	450	550	18.5	5
YE2-280M	4 6	457	542	547	419	190	75	140	20	67.5	12	280	390	24	1033	500	450	550	18.5	5
YE2-315S	2	508	628	620	406	216	65	140	18	58	11	315	525	28	1194	600	550	660	24	6
YE2-315S	4 6	508	628	620	406	216	80	170	22	71	14	315	525	28	1224	600	550	660	24	6
YE2-315M	2	508	628	620	457	216	65	140	18	58	11	315	525	28	1304	600	550	660	24	6
YE2-315M	4 6	508	628	620	457	216	80	170	22	71	14	315	525	28	1334	600	550	660	24	6
YE2-315L	2	508	628	620	508	216	65	140	18	58	11	315	525	28	1304	600	550	660	24	6
YE2-315L	4 6	508	628	620	508	216	80	170	22	71	14	315	525	28	1334	600	550	660	24	6
YE2-355M	2	610	726	698	560	254	75	140	20	67.5	12	355	645	28	1486	740	680	800	24	6
YE2-355M	4 6	610	726	698	560	254	95	170	25	86	14	355	645	28	1516	740	680	800	24	6
YE2-355L	2	610	726	698	630	254	75	140	20	67.5	12	355	645	28	1486	740	680	800	24	6
YE2-355L	4 6	610	726	698	630	254	95	170	25	86	14	355	645	28	1516	740	680	800	24	6



## 三相异步电动机的安装数据

MOUNTING DATA FOR THREE PHASE ASYNCHRONOUS MOTOR

### IM B5



FRAME SIZE	POLES	AC	AD	D	E	F	G	GE	L	M	N	P	S	T
YE2-80M	2 4 6	167	147	19	40	6	15.5	6	304	165	130	200	12	3.5
YE2-90S	2 4 6	182	155	24	50	8	20	7	336	165	130	200	12	3.5
YE2-90L	2 4 6	182	155	24	50	8	20	7	361	165	130	200	12	3.5
YE2-100L	2 4 6	205	166	28	60	8	24	7	406	215	180	250	14.5	4
YE2-112M	2 4 6	230	188	28	60	8	24	7	394	215	180	250	14.5	4
YE2-132S	2 4 6	258	203	38	80	10	33	8	438	265	230	300	14.5	4
YE2-132M	2 4 6	258	203	38	80	10	33	8	476	265	230	300	14.5	4
YE2-160M	2 4 6	314	250	42	110	12	37	8	608	300	250	350	18.5	5
YE2-160L	2 4 6	314	250	42	110	12	37	8	652	300	250	350	18.5	5
YE2-180M	2 4 6	355	275	48	110	14	42.5	9	688	300	250	350	18.5	5
YE2-180L	2 4 6	355	275	48	110	14	42.5	9	726	300	250	350	18.5	5
YE2-200L	2 4 6	397	305	55	110	16	49	10	779	350	300	400	18.5	5
YE2-225S	4	446	325	60	140	18	53	11	824	400	350	450	18.5	5
YE2-225M	2	446	325	55	110	16	49	10	819	400	350	450	18.5	5
YE2-225M	4 6	446	325	60	140	18	53	11	849	400	350	450	18.5	5
YE2-250M	2	485	360	60	140	18	53	11	910	500	450	550	18.5	5
YE2-250M	4 6	485	360	65	140	18	58	11	910	500	450	550	18.5	5
YE2-280S	2	547	390	65	140	18	58	11	982	500	450	550	18.5	5
YE2-280S	4 6	547	390	75	140	20	67.5	12	982	500	450	550	18.5	5
YE2-280M	2	547	390	65	140	18	58	11	1033	500	450	550	18.5	5
YE2-280M	4 6	547	390	75	140	20	67.5	12	1033	500	450	550	18.5	5
YE2-315S	2	620	525	65	140	18	58	11	1194	600	550	660	24	6
YE2-315S	4 6	620	525	80	170	22	71	14	1224	600	550	660	24	6
YE2-315M	2	620	525	65	140	18	58	11	1304	600	550	660	24	6
YE2-315M	4 6	620	525	80	170	22	71	14	1334	600	550	660	24	6
YE2-315L	2	620	525	65	140	18	58	11	1304	600	550	660	24	6
YE2-315L	4 6	620	525	80	170	22	71	14	1334	600	550	660	24	6
YE2-355M	2	698	645	75	140	20	67.5	12	1486	740	680	800	24	6
YE2-355M	4 6	698	645	95	170	25	86	14	1516	740	680	800	24	6
YE2-355L	2	698	645	75	140	20	67.5	12	1486	740	680	800	24	6
YE2-355L	4 6	698	645	95	170	25	86	14	1516	740	680	800	24	6



www.happypump.com

Cast iron motor  
铸铁电机

## Y2高效三相异步电机

## 产品简介:

机壳和前后盖采用铸铁材质，硬度高，承载能力强，结构稳定，不易变形。产品采用经典的Y2标准设计，性价比高，已被广泛用于风机，水泵，空气压缩机，注塑机等设备的动力源。

## 使用条件:

环境空气温度:  $-15^{\circ}\text{C} \leq \theta \leq 40^{\circ}\text{C}$

海拔: 不超过1000米

频率: 50Hz或者60Hz

接法: 3KW及以下规格为Y接法, 4KW及以上为Δ接法。

工作方式: S1 (连续工作制)

绝缘等级: B

防护等级: IP54或者IP55

冷却方式: IC411

## Y2 HIGH EFFICIENCY THREE PHASE ASYNCHRONOUS MOTOR

## Product introduction:

The housing, front and back cover are made of cast-iron, with high hardness, strong bearing capacity, firm structure and uneasy to deform. This product adopts classic Y2 standard design which is cost-effective. It has been widely used as the power source for fan, water pump, air compressor, injection molding machines and other equipments.

## Operating conditions:

Ambient air temperature:  $-15^{\circ}\text{C} \leq \theta \leq 40^{\circ}\text{C}$

Altitude:  $\leq 1000\text{m}$

Rated frequency: 50Hz/60Hz

Wiring method: Y wiring method for  $\leq 3\text{kw}$

$\Delta$ wiring method for  $\geq 4\text{kw}$

Working type: S1 (continuous working system)

Insulation class: B

Protection grade: IP54 or IP55

Cooling type: IC411

## Y2高效三相异步电机

## TECHNICAL DATA OF Y2 HIGH EFFICIENCY THREE PHASE ASYNCHRONOUS MOTOR

型号 Type	额定功率 Rated Output		电压 Voltage V	频率 Frequency Hz	转速 Speed r/min	额定电流 Rated Current A	效率 EFF %	功率因数 Power Factor cos φ	堵转转矩	堵转电流	最大转矩
	kW	HP							额定转矩 $\frac{T_s}{T_n}$	额定电流 $\frac{I_s}{I_n}$	额定转矩 $\frac{T_{max}}{T_n}$
Y2-71M1-2	0.37	0.5	380	50	2740	0.99	70	0.81	2.2	6.1	2.2
Y2-71M2-2	0.55	0.75	380	50	2740	1.40	73	0.82	2.2	6.1	2.3
Y2-80M1-2	0.75	1	380	50	2840	1.83	75	0.83	2.2	6.1	2.3
Y2-80M2-2	1.1	1.5	380	50	2840	2.61	76.2	0.84	2.2	7	2.3
Y2-90S-2	1.5	2	380	50	2840	3.46	78.5	0.84	2.2	7	2.3
Y2-90L-2	2.2	3	380	50	2840	4.85	81	0.85	2.2	7	2.3
Y2-100L-2	3	4	380	50	2860	6.34	82.6	0.87	2.2	7.5	2.3
Y2-112M-2	4	5.5	380	50	2880	8.20	84.2	0.88	2.2	7.5	2.3
Y2-132S1-2	5.5	7.5	380	50	2900	11.1	85.7	0.88	2.2	7.5	2.3
Y2-132S2-2	7.5	10	380	50	2900	14.9	87	0.88	2.2	7.5	2.3
Y2-160M1-2	11	15	380	50	2930	21.2	88.4	0.89	2.2	7.5	2.3
Y2-160M2-2	15	20	380	50	2930	28.6	89.4	0.89	2.2	7.5	2.3
Y2-160L-2	18.5	25	380	50	2930	34.7	90	0.9	2.2	7.5	2.3
Y2-180M-2	22	30	380	50	2950	41.0	90.5	0.9	2.0	7.5	2.3
Y2-200L1-2	30	40	380	50	2950	55.4	91.4	0.9	2.0	7.5	2.3
Y2-200L2-2	37	50	380	50	2960	67.9	92	0.9	2.0	7.5	2.3
Y2-225M-2	45	60	380	50	2965	82.1	92.5	0.9	2.0	7.5	2.3
Y2-250M-2	55	75	380	50	2970	99.8	93	0.9	2.0	7.5	2.3
Y2-280S-2	75	100	380	50	2970	135	93.6	0.9	2.0	7.5	2.3
Y2-280M-2	90	125	380	50	2975	160	93.9	0.91	2.0	7.5	2.3
Y2-315S-2	110	150	380	50	2975	195	94	0.91	1.8	7.1	2.2
Y2-315M-2	132	180	380	50	2975	233	94.5	0.91	1.8	7.1	2.2
Y2-315L1-2	160	200	380	50	2975	279	94.6	0.92	1.8	7.1	2.2
Y2-315L2-2	200	270	380	50	2975	348	94.8	0.92	1.8	7.1	2.2
Y2-355M-2	250	340	380	50	2980	434	95.2	0.92	1.6	7.1	2.2
Y2-355L-2	315	430	380	50	2980	545	95.4	0.92	1.6	7.1	2.2



# 技术数据 TECHNICAL DATA

## Y2高效三相异步电机

TECHNICAL DATA OF Y2 HIGH EFFICIENCY THREE PHASE ASYNCHRONOUS MOTOR

型号 Type	额定功率 Rated Output		电压 Voltage V	频率 Frequency Hz	转速 Speed r/min	额定电流 Rated Current A	效率 EFF %	功率因数 Power Factor cos φ	堵转转矩	堵转电流	最大转矩
	kW	HP							额定转矩 $\frac{T_s}{T_n}$	额定电流 $\frac{I_s}{I_n}$	额定转矩 $\frac{T_{max}}{T_n}$
Y2-71M1-4	0.25	0.3	380	50	1330	0.79	65	0.74	2.1	5.2	2.2
Y2-71M2-4	0.37	0.5	380	50	1330	1.12	67	0.75	2.1	5.2	2.2
Y2-80M1-4	0.55	0.75	380	50	1390	1.57	71	0.75	2.4	5.2	2.3
Y2-80M2-4	0.75	1	380	50	1390	2.05	73	0.76	2.3	6	2.3
Y2-90S-4	1.1	1.5	380	50	1390	2.85	76.2	0.77	2.3	6	2.3
Y2-90L-4	1.5	2	380	50	1390	3.68	78.5	0.79	2.3	6	2.3
Y2-100L1-4	2.2	3	380	50	1400	5.09	81	0.81	2.3	7	2.3
Y2-100L2-4	3	4	380	50	1400	6.73	82.6	0.82	2.3	7	2.3
Y2-112M-4	4	5.5	380	50	1430	8.80	84.2	0.82	2.3	7	2.3
Y2-132S-4	5.5	7.5	380	50	1435	11.7	85.7	0.83	2.3	7	2.3
Y2-132M-4	7.5	10	380	50	1435	15.6	87	0.84	2.3	7	2.3
Y2-160M-4	11	15	380	50	1450	22.5	88.4	0.84	2.2	7	2.3
Y2-160L-4	15	20	380	50	1450	30.0	89.4	0.85	2.2	7.5	2.3
Y2-180M-4	18.5	25	380	50	1460	36.3	90	0.86	2.2	7.5	2.3
Y2-180L-4	22	30	380	50	1460	42.9	90.5	0.86	2.2	7.5	2.3
Y2-200L-4	30	40	380	50	1470	58.0	91.4	0.86	2.2	7.2	2.3
Y2-225S-4	37	50	380	50	1470	70.2	92	0.87	2.2	7.2	2.3
Y2-225M-4	45	60	380	50	1475	85.0	92.5	0.87	2.2	7.2	2.3
Y2-250M-4	55	75	380	50	1475	103	93	0.87	2.2	7.2	2.3
Y2-280S-4	75	100	380	50	1480	140	93.6	0.87	2.2	7.2	2.3
Y2-280M-4	90	125	380	50	1480	167	93.9	0.87	2.2	7.2	2.3
Y2-315S-4	110	150	380	50	1480	201	94.5	0.88	2.1	6.9	2.2
Y2-315M-4	132	180	380	50	1480	240	94.8	0.88	2.1	6.9	2.2
Y2-315L1-4	160	200	380	50	1480	288	94.9	0.89	2.1	6.9	2.2
Y2-315L2-4	200	270	380	50	1480	360	94.9	0.89	2.1	6.9	2.2
Y2-355M-4	250	340	380	50	1490	443	95.2	0.9	2.1	6.9	2.2
Y2-355L-4	315	430	380	50	1490	559	95.2	0.9	2.1	6.9	2.2

## Y2高效三相异步电机

TECHNICAL DATA OF Y2 HIGH EFFICIENCY THREE PHASE ASYNCHRONOUS MOTOR

型号 Type	额定功率 Rated Output		电压 Voltage V	频率 Frequency Hz	转速 Speed r/min	额定电流 Rated Current A	效率 EFF %	功率因数 Power Factor cos φ	堵转转矩	堵转电流	最大转矩
	kW	HP							额定转矩 $\frac{T_s}{T_n}$	额定电流 $\frac{I_s}{I_n}$	额定转矩 $\frac{T_{max}}{T_n}$
Y2-71M1-6	0.18	0.25	380	50	850	0.88	47	0.66	1.9	4	2
Y2-71M2-6	0.25	0.3	380	50	850	1.03	54	0.68	1.9	4	2
Y2-80M1-6	0.37	0.5	380	50	880	1.34	60	0.7	1.9	4.7	2
Y2-80M2-6	0.55	0.75	380	50	880	1.79	65	0.72	1.9	4.7	2.1
Y2-90S-6	0.75	1	380	50	910	2.29	69	0.72	2	5.5	2.1
Y2-90L-6	1.1	1.5	380	50	910	3.18	72	0.73	2	5.5	2.1
Y2-100L-6	1.5	2	380	50	920	4.00	76	0.75	2	5.5	2.1
Y2-112M-6	2.2	3	380	50	935	5.57	79	0.76	2	6.5	2.1
Y2-132S-6	3	4	380	50	960	7.40	81	0.76	2.1	6.5	2.1
Y2-132M1-6	4	5.5	380	50	960	9.75	82	0.76	2.1	6.5	2.1
Y2-132M2-6	5.5	7.5	380	50	960	12.9	84	0.77	2.1	6.5	2.1
Y2-160M-6	7.5	10	380	50	970	17.2	86	0.77	2	6.5	2.1
Y2-160L-6	11	15	380	50	970	24.5	87.5	0.78	2	6.5	2.1
Y2-180L-6	15	20	380	50	970	31.6	89	0.81	2	7	2.1
Y2-200L1-6	18.5	25	380	50	980	38.6	90	0.81	2.1	7	2.1
Y2-200L2-6	22	30	380	50	980	44.7	90	0.83	2.1	7	2.1
Y2-225M-6	30	40	380	50	980	59.3	91.5	0.84	2	7	2.1
Y2-250M-6	37	50	380	50	980	71.1	92	0.86	2.1	7	2.1
Y2-280S-6	45	60	380	50	980	85.9	92.5	0.86	2.1	7	2
Y2-280M-6	55	75	380	50	980	105	92.8	0.86	2.1	7	2
Y2-315S-6	75	100	380	50	985	142	93.5	0.86	2	7	2
Y2-315M-6	90	125	380	50	985	170	93.8	0.86	2	7	2
Y2-315L1-6	110	150	380	50	985	207	94	0.86	2	6.7	2
Y2-315L2-6	132	180	380	50	985	245	94.2	0.87	2	6.7	2
Y2-355M1-6	160	200	380	50	985	292	94.5	0.88	1.9	6.7	2
Y2-355M2-6	200	270	380	50	985	365	94.5	0.88	1.9	6.7	2
Y2-355L-6	250	340	380	50	985	457	94.5	0.88	1.9	6.7	2

### Y2高效三相异步电机

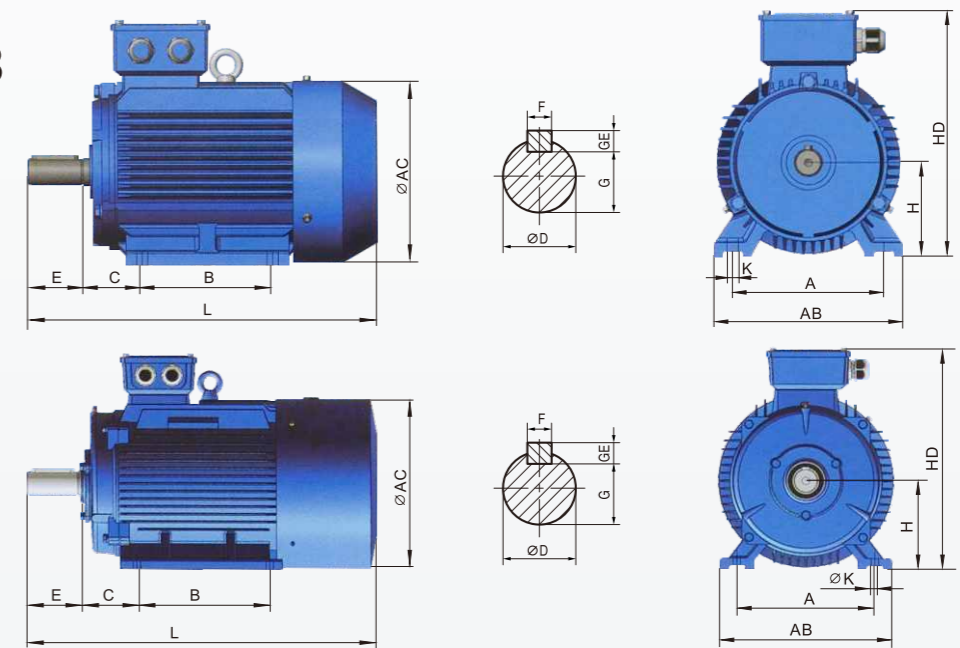
#### TECHNICAL DATA OF Y2 HIGH EFFICIENCY THREE PHASE ASYNCHRONOUS MOTOR

型号 Type	额定功率 Rated Output		电压 Voltage V	频率 Frequency Hz	转速 Speed r/min	额定电流 Rated Current A	效率 EFF %	功率因数 Power Factor cos φ	堵转转矩 额定转矩 $\frac{T_s}{T_n}$	堵转电流 额定电流 $\frac{I_s}{I_n}$	最大转矩 额定转矩 $\frac{T_{max}}{T_n}$
	kW	HP									
Y2-80M1-8	0.18	0.25	380	50	650	1.07	45	0.57	1.8	3.3	1.9
Y2-80M2-8	0.25	0.3	380	50	650	1.24	51	0.6	1.8	3.3	1.9
Y2-90S-8	0.37	0.5	380	50	670	1.49	62	0.61	1.8	4	1.9
Y2-90L-8	0.55	0.75	380	50	670	2.17	63	0.61	1.8	4	2
Y2-100L1-8	0.75	1	380	50	680	2.40	71	0.67	1.8	4	2
Y2-100L2-8	1.1	1.5	380	50	690	3.32	73	0.69	1.8	5	2
Y2-112M-8	1.5	2	380	50	690	4.40	75	0.69	1.8	5	2
Y2-132S-8	2.2	3	380	50	710	6.04	78	0.71	1.8	6	2
Y2-132M-8	3	4	380	50	710	7.90	79	0.73	1.8	6	2
Y2-160M1-8	4	5.5	380	50	720	10.3	81	0.73	1.9	6	2
Y2-160M2-8	5.5	7.5	380	50	720	13.6	83	0.74	2	6	2
Y2-160L-8	7.5	10	380	50	720	17.8	85.5	0.75	2	6	2
Y2-180L-8	11	15	380	50	730	25.1	87.5	0.76	2	6.6	2
Y2-200L-8	15	20	380	50	730	34.1	88	0.76	2	6.6	2
Y2-225S-8	18.5	25	380	50	730	41.1	90	0.76	1.9	6.6	2
Y2-225M-8	22	30	380	50	735	47.4	90.5	0.78	1.9	6.6	2
Y2-250M-8	30	40	380	50	735	63.4	91	0.79	1.9	6.6	2
Y2-280S-8	37	50	380	50	735	77.8	91.5	0.79	1.9	6.6	2
Y2-280M-8	45	60	380	50	735	94.1	92	0.79	1.9	6.6	2
Y2-315S-8	55	75	380	50	735	111	92.8	0.81	1.8	6.6	2
Y2-315M-8	75	100	380	50	735	151	93	0.81	1.8	6.6	2
Y2-315L1-8	90	125	380	50	735	178	93.8	0.82	1.8	6.6	2
Y2-315L2-8	110	150	380	50	735	217	94	0.82	1.8	6.4	2
Y2-355M1-8	132	180	380	50	740	261	93.7	0.82	1.8	6.4	2
Y2-355M2-8	160	200	380	50	740	315	94.2	0.82	1.8	6.4	2
Y2-355L-8	200	270	380	50	740	387	94.5	0.83	1.8	6.4	2

### 三相异步电动机的安装数据

#### MOUNTING DATA FOR THREE PHASE ASYNCHRONOUS MOTOR

### IM B3

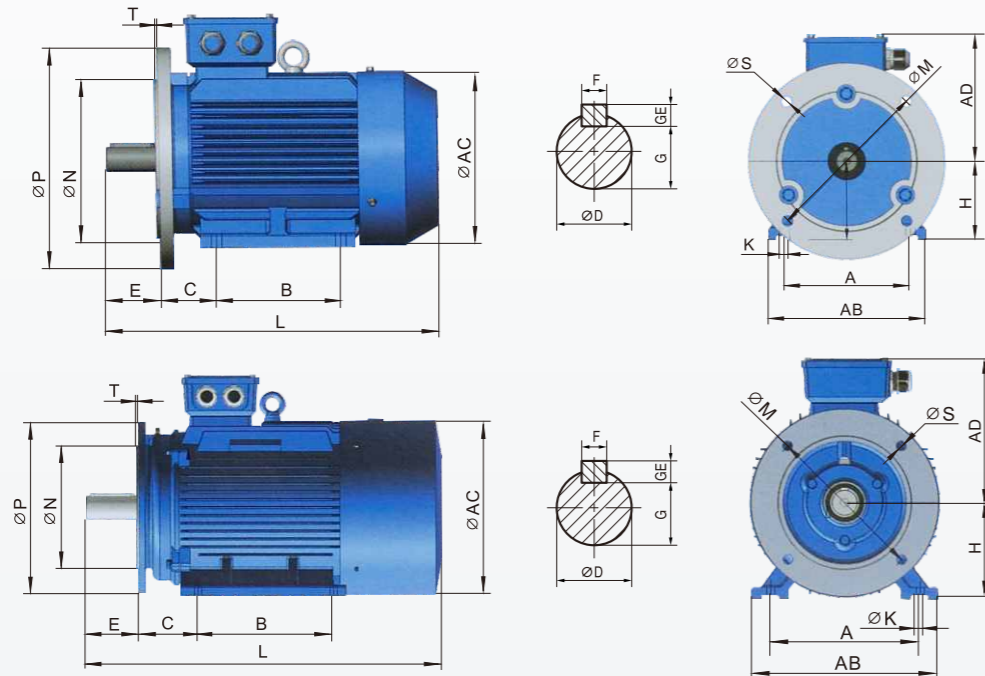


FRAME SIZE	POLES	A	B	C	D	E	F	G	GE	H	K	AB	AC	HD	L
71M	2 4 6	112	90	45	14	30	5	11	5	71	7	144	135	190	245
80M	2 4 6 8	125	100	50	19	40	6	15.5	6	80	10	160	156	215	290
90S	2 4 6 8	140	100	56	24	50	8	20	7	90	10	176	176	235	315
90L	2 4 6 8	140	125	56	24	50	8	20	7	90	10	176	176	235	340
100L	2 4 6 8	160	140	63	28	60	8	24	7	100	12	200	196	255	380
112M	2 4 6 8	190	140	70	28	60	8	24	7	112	12	226	219	290	405
132S	2 4 6 8	216	140	89	38	80	10	33	8	132	12	262	258	335	470
132M	2 4 6 8	216	178	89	38	80	10	33	8	132	12	262	258	335	510
160M	2 4 6 8	254	210	108	42	110	12	37	8	160	14.5	314	314	410	610
160L	2 4 6 8	254	254	108	42	110	12	37	8	160	14.5	314	314	410	670
180M	2 4 6 8	279	241	121	48	110	14	42.5	9	180	14.5	349	355	455	690
180L	2 4 6 8	279	279	121	48	110	14	42.5	9	180	14.5	349	355	455	730
200L	2 4 6 8	318	305	133	55	110	16	49	10	200	18.5	388	397	505	770
225S	4 8	356	286	149	60	140	18	53	11	225	18.5	431	446	550	825
225M	2	356	311	149	55	110	16	49	10	225	18.5	431	446	550	820
	4 6 8	356	311	149	60	140	18	53	11	225	18.5	431	446	550	850
250M	2	406	349	168	60	140	18	53	11	250	24	484	485	610	910
	4 6 8	406	349	168	65	140	18	58	11	250	24	484	485	610	910
280S	2	457	368	190	65	140	18	58	11	280	24	542	547	670	985
	4 6 8	457	368	190	75	140	20	67.5	12	280	24	542	547	670	985
280M	2	457	419	190	65	140	18	58	11	280	24	542	547	670	1035
	4 6 8	457	419	190	75	140	20	67.5	12	280	24	542	547	670	1035
315S	2	508	406	216	65	140	18	58	11	315	28	628	620	840	1180
	4 6 8 10	508	406	216	80	170	22	71	14	315	28	628	620	840	1210
315M	2	508	457	216	65	140	18	58	11	315	28	628	620	840	1290
	4 6 8 10	508	457	216	80	170	22	71	14	315	28	628	620	840	1320
315L	2	508	508	216	65	140	18	58	11	315	28	628	620	840	1290
	4 6 8 10	508	508	216	80	170	22	71	14	315	28	628	620	840	1320
355M	2	610	560	254	75	140	20	67.5	12	355	28	726	698	1000	1490
	4 6 8 10	610	560	254	95	170	25	86	14	355	28	726	698	1000	1520
355L	2	610	630	254	75	140	20	67.5	12	355	28	726	698	1000	1490
	4 6 8 10	610	630	254	95	170	25	86	14	355	28	726	698	1000	1520

### 三相异步电动机的安装数据

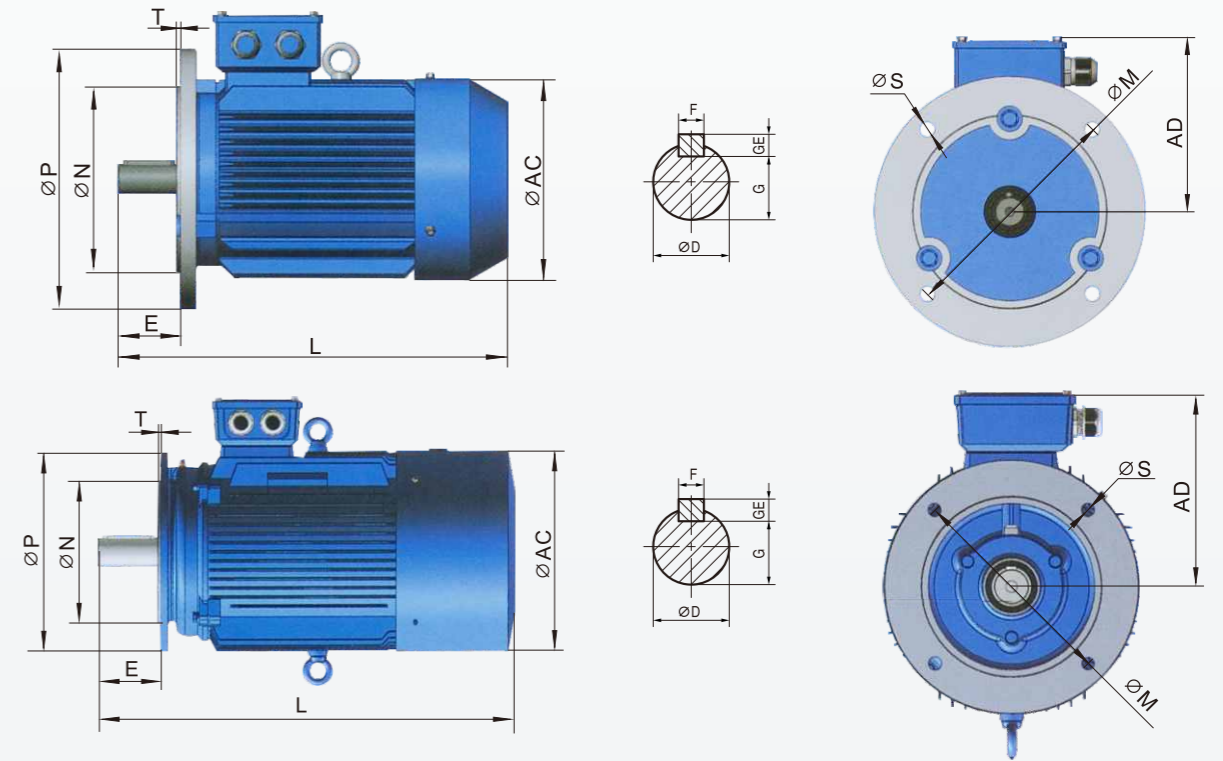
MOUNTING DATA FOR THREE PHASE ASYNCHRONOUS MOTOR

#### IM B35



FRAME SIZE	POLES	A	B	C	D	E	F	G	GE	H	K	M	N	P	S	T	AB	AC	AD	L
71M	2 4 6	112	90	45	14	30	5	11	5	71	7	130	110	160	10	3.5	144	135	119	245
80M	2 4 6 8	125	100	50	19	40	6	15.5	6	80	10	165	130	200	12	3.5	160	156	135	290
90S	2 4 6 8	140	100	56	24	50	8	20	7	90	10	165	130	200	12	3.5	176	176	145	315
90L	2 4 6 8	140	125	56	24	50	8	20	7	90	10	165	130	200	12	3.5	176	176	145	340
100L	2 4 6 8	160	140	63	28	60	8	24	7	100	12	215	180	250	14.5	4	200	196	155	380
112M	2 4 6 8	190	140	70	28	60	8	24	7	112	12	215	180	250	14.5	4	226	219	178	405
132S	2 4 6 8	216	140	89	38	80	10	33	8	132	12	265	230	300	14.5	4	262	258	203	470
132M	2 4 6 8	216	178	89	38	80	10	33	8	132	12	265	230	300	14.5	4	262	258	203	510
160M	2 4 6 8	254	210	108	42	110	12	37	8	160	14.5	300	250	350	18.5	5	314	314	250	610
160L	2 4 6 8	254	254	108	42	110	12	37	8	160	14.5	300	250	350	18.5	5	314	314	250	670
180M	2 4 6 8	279	241	121	48	110	14	42.5	9	180	14.5	300	250	350	18.5	5	349	355	275	690
180L	2 4 6 8	279	279	121	48	110	14	42.5	9	180	14.5	300	250	350	18.5	5	349	355	275	730
200L	2 4 6 8	318	305	133	55	110	16	49	10	200	18.5	350	300	400	18.5	5	388	397	305	770
225S	4 8	356	286	149	60	140	18	53	11	225	18.5	400	350	450	18.5	5	431	446	325	825
225M	2	356	311	149	55	110	16	49	10	225	18.5	400	350	450	18.5	5	431	446	325	820
	4 6 8	356	311	149	60	140	18	53	11	225	18.5	400	350	450	18.5	5	431	446	325	850
250M	2	406	349	168	60	140	18	52.3	11	250	24	500	450	550	18.5	5	484	485	360	910
	4 6 8	406	349	168	65	140	18	58	11	250	24	500	450	550	18.5	5	484	485	360	910
280S	2	457	368	190	65	140	18	58	11	280	24	500	450	550	18.5	5	542	547	390	985
	4 6 8	457	368	190	75	140	20	67.5	12	280	24	500	450	550	18.5	5	542	547	390	985
280M	2	457	419	190	65	140	18	58	11	280	24	500	450	550	18.5	5	542	547	390	1035
	4 6 8	457	419	190	75	140	20	67.5	12	280	24	500	450	550	18.5	5	542	547	390	1035
315S	2	508	406	216	65	140	18	58	11	315	28	600	550	660	24	6	628	620	525	1180
	4 6 8 10	508	406	216	80	170	22	71	14	315	28	600	550	660	24	6	628	620	525	1210
315M	2	508	457	216	65	140	18	58	11	315	28	600	550	660	24	6	628	620	525	1290
	4 6 8 10	508	457	216	80	170	22	71	14	315	28	600	550	660	24	6	628	620	525	1320
315L	2	508	508	216	65	140	18	58	11	315	28	600	550	660	24	6	628	620	525	1290
	4 6 8 10	508	508	216	80	170	22	71	14	315	28	600	550	660	24	6	628	620	525	1320
355M	2	610	560	254	75	140	20	67.5	12	355	28	740	680	800	24	6	726	698	645	1490
	4 6 8 10	610	560	254	95	170	25	86	14	355	28	740	680	800	24	6	726	698	645	1520
355L	2	610	630	254	75	140	20	67.5	12	355	28	740	680	800	24	6	726	698	645	1490
	4 6 8 10	610	630	254	95	170	25	86	14	355	28	740	680	800	24	6	726	698	645	1520

#### IM B5



FRAME SIZE	POLES	D	E	F	G	GE	M	N	P	S	T	AC	AD	L
71M	2 4 6	14	30	5	11	5	130	110	160	10	3.5	135	119	245
80M	2 4 6 8	19	40	6	15.5	6	165	130	200	12	3.5	156	135	290
90S	2 4 6 8	24	50	8	20	7	165	130	200	12	3.5	176	145	315
90L	2 4 6 8	24	50	8	20	7	165	130	200	12	3.5	176	145	340
100L	2 4 6 8	28	60	8	24	7	215	180	250	14.5	4	196	155	380
112M	2 4 6 8	28	60	8	24	7	215	180	250	14.5	4	219	178	405
132S	2 4 6 8	38	80	10	33	8	265	230	300	14.5	4	258	203	470
132M	2 4 6 8	38	80	10	33	8	265	230	300	14.5	4	258	203	510
160M	2 4 6 8	42	110	12	37	8	300	250	350	18.5	5	314	250	610
160L	2 4 6 8	42	110	12	37	8	300	250	350	18.5	5	314	250	670
180M	2 4 6 8	48	110	14	42.5	9	300	250	350	18.5	5	355	275	690
180L	2 4 6 8	48	110	14	42.5	9	300	250	350	18.5	5	355	275	730
200L	2 4 6 8	55	110	16	49	10	350	300	400	18.5	5	397	305	770
225S	4 8	60	140	18	53	11	400	350	450	18.5	5	446	325	825
225M	2	55	110	16	49	10	400	350	450	18.5	5	446	325	820
	4 6 8	60	140	18	53	11	400	350	450	18.5	5	446	325	850
250M	2	60	140	18	53	11	500	450	550	18.5	5	485	360	910
	4 6 8	65	140	18	58	11	500	450	550	18.5	5	485	360	910
280S	2	65	140	18	58	11	500	450	550	18.5	5	547	390	985
	4 6 8	75	140	20	67.5	12	500	450	550	18.5	5	547	390	985
280M	2	65	140	18	58	11	500	450	550	18.5	5	547	390	1035
	4 6 8	75	140	20	67.5	12	500	450	550	18.5	5	547	390	1035



Aluminum motor  
铝壳电机

## MS高效三相异步电机

## 产品简介:

铝机壳, 铝前后盖, 铝接线盒, 铝底脚, 底脚可拆卸, 可改变安装位置。接线盒带电源线保护螺套。重量轻, 导热散热好, 低噪音, 节能, 外形美观。使用寿命长, 密封性好, 抗氧化, 耐腐蚀, 可用于室内外潮湿环境。

## 使用条件:

环境空气温度:  $-15^{\circ}\text{C} \leq \theta \leq 40^{\circ}\text{C}$

海拔: 不超过1000米

频率: 50Hz或者60Hz

接法: 3KW及以下规格为Y接法, 4KW及以上为Δ接法。

工作方式: S1 (连续工作制)

绝缘等级: B

防护等级: IP54或者IP55

冷却方式: IC411

## MS HIGH EFFICIENCY THREE PHASE ASYNCHRONOUS MOTOR

## Product introduction:

Aluminum housing, aluminum front and back cover, aluminum terminal box, aluminum feet which is removable. The installation position can be changed. Terminal box comes with power wire protection screw sleeve. Light-weight, high thermal conductivity, low noise, energy saving and beautiful appearance. Long service life, good sealing, oxidation resistance, corrosion resistance, which result in usage in humid environment no matter indoor or outdoor.

## Operating conditions:

Ambient air temperature:  $-15^{\circ}\text{C} \leq \theta \leq 40^{\circ}\text{C}$

Altitude:  $\leq 1000\text{m}$

Rated frequency: 50Hz/60Hz

Wiring method: Y wiring method for  $\leq 3\text{kW}$

$\Delta$  wiring method for  $\geq 4\text{kW}$

Working type: S1 (continuous working system)

Insulation class: B

Protection grade: IP54 or IP55

Cooling type: IC411

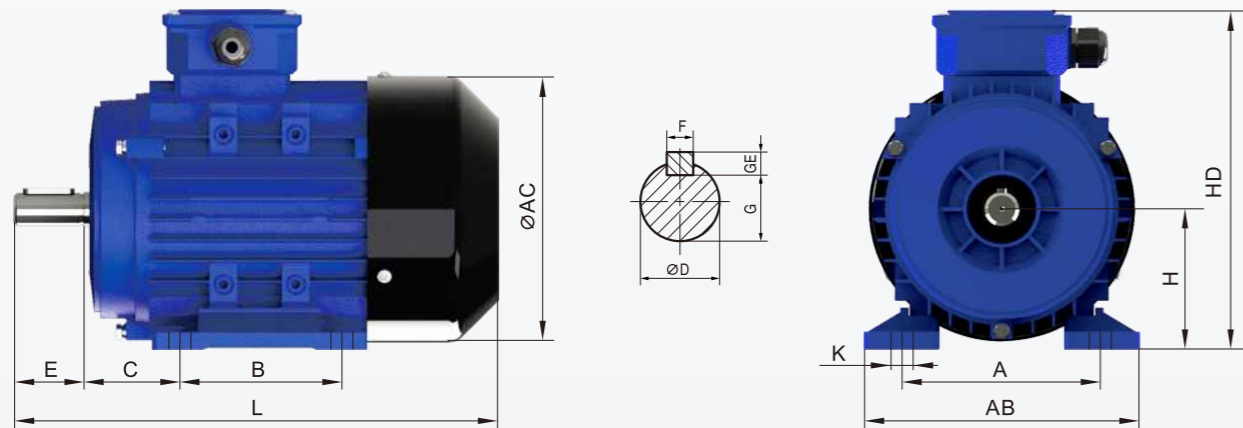
## MS高效三相异步电机

## TECHNICAL DATA OF MS HIGH EFFICIENCY THREE PHASE ASYNCHRONOUS MOTOR

型号 Type	额定功率 Rated Output		电压 Voltage V	频率 Frequency Hz	转速 Speed r/min	额定电流 Rated Current A	效率 EFF %	功率因数 Power Factor $\cos\phi$	堵转转矩	堵转电流	最大转矩
	kW	HP							额定转矩 $\frac{T_s}{T_n}$	额定电流 $\frac{I_s}{I_n}$	额定转矩 $\frac{T_{max}}{T_n}$
MS-63M1-2	0.18	0.25	380	50	2720	0.53	65	0.8	2.2	5.5	2.2
MS-63M2-2	0.25	0.3	380	50	2720	0.69	68	0.81	2.2	5.5	2.2
MS-71M1-2	0.37	0.5	380	50	2740	0.99	70	0.81	2.2	6.1	2.2
MS-71M2-2	0.55	0.75	380	50	2740	1.40	73	0.82	2.2	6.1	2.3
MS-80S-2	0.75	1	380	50	2840	1.83	75	0.83	2.2	6.1	2.3
MS-80L-2	1.1	1.5	380	50	2840	2.61	76.2	0.84	2.2	7	2.3
MS-90S-2	1.5	2	380	50	2840	3.46	78.5	0.84	2.2	7	2.3
MS-90L-2	2.2	3	380	50	2840	4.85	81	0.85	2.2	7	2.3
MS-100L-2	3	4	380	50	2860	6.34	82.6	0.87	2.2	7.5	2.3
MS-112M-2	4	5.5	380	50	2880	8.20	84.2	0.88	2.2	7.5	2.3
MS-132S1-2	5.5	7.5	380	50	2900	11.1	85.7	0.88	2.2	7.5	2.3
MS-132S2-2	7.5	10	380	50	2900	14.9	87	0.88	2.2	7.5	2.3

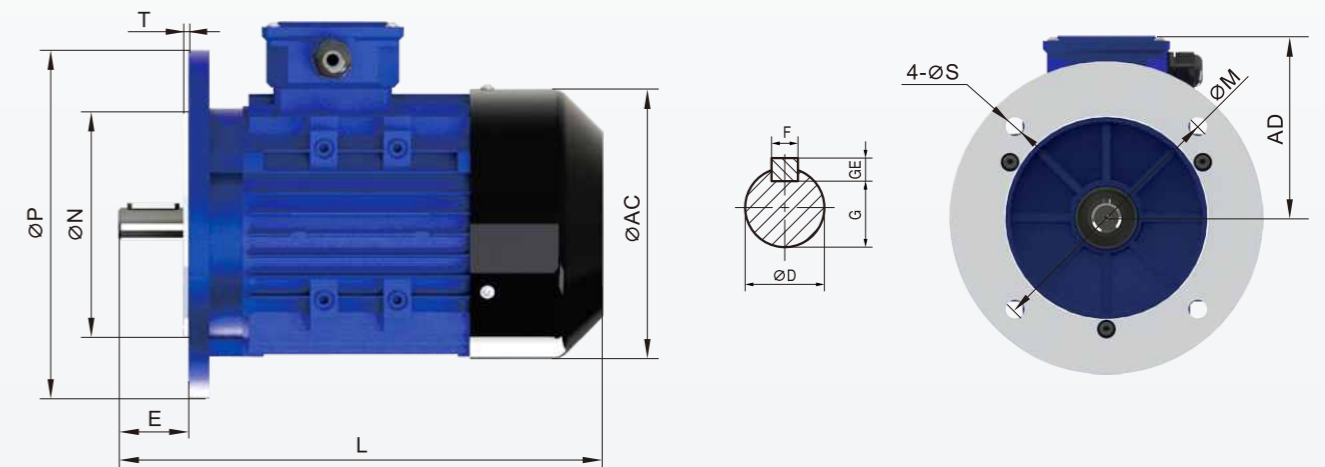
型号 Type	额定功率 Rated Output		电压 Voltage V	频率 Frequency Hz	转速 Speed r/min	额定电流 Rated Current A	效率 EFF %	功率因数 Power Factor $\cos\phi$	堵转转矩	堵转电流	最大转矩
	kW	HP							额定转矩 $\frac{T_s}{T_n}$	额定电流 $\frac{I_s}{I_n}$	额定转矩 $\frac{T_{max}}{T_n}$
MS-63M1-4	0.12	0.18	380	50	1310	0.44	57	0.72	2.1	4.4	2.2
MS-63M2-4	0.18	0.25	380	50	1310	0.62	60	0.73	2.1	4.4	2.2
MS-71M1-4	0.25	0.3	380	50	1330	0.79	65	0.74	2.1	5.2	2.2
MS-71M2-4	0.37	0.5	380	50	1330	1.12	67	0.75	2.1	5.2	2.2
MS-80S-4	0.55	0.75	380	50	1390	1.57	71	0.75	2.4	5.2	2.3
MS-80L-4	0.75	1	380	50	1390	2.05	73	0.76	2.3	6	2.3
MS-90S-4	1.1	1.5	380	50	1390	2.85	76.2	0.77	2.3	6	2.3
MS-90L-4	1.5	2	380	50	1390	3.68	78.5	0.79	2.3	6	2.3
MS-100L1-4	2.2	3	380	50	1390	5.09	81	0.81	2.3	7	2.3
MS-100L2-4	3	4	380	50	1410	6.73	82.6	0.82	2.3	7	2.3
MS-112M-4	4	5.5	380	50	1410	8.80	84.2	0.82	2.3	7	2.3
MS-132S-4	5.5	7.5	380	50	1435	11.7	85.7	0.83	2.3	7	2.3
MS-132M-4	7.5	10	380	50	1440	15.6	87	0.84	2.3	7	2.3

### IM B3



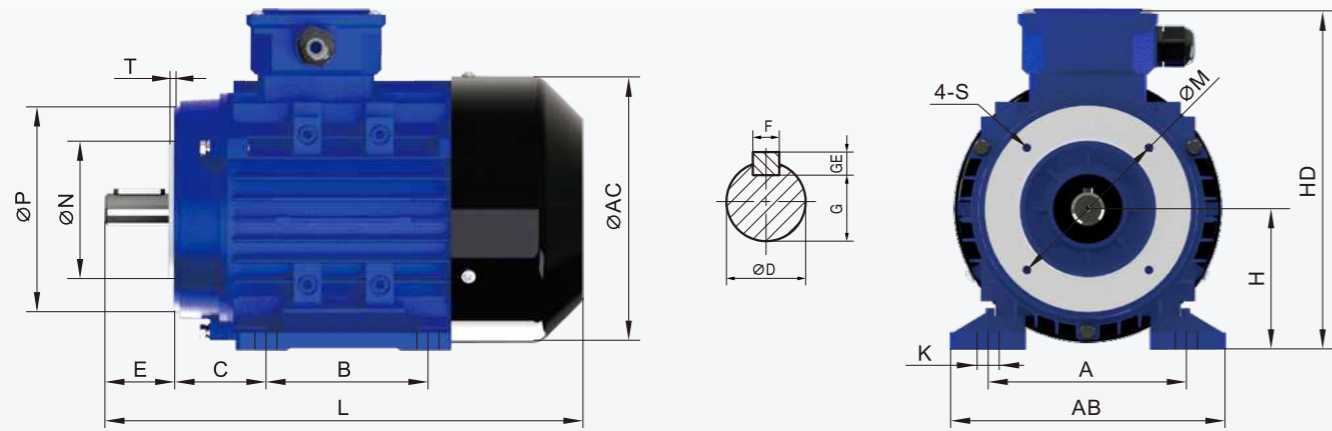
型号 Type	A	AB	AC	B	C	D	E	F	G	GE	H	HD	K	L
MS-63M	100	125	122	80	40	11	23	4	8.5	4	63	163	7	220
MS-71M	112	140	136	90	45	14	30	5	11	5	71	181	8	247
MS-80S	125	158	150	100	50	19	40	6	15.5	6	80	200	10	273
MS-80L	125	158	150	100	50	19	40	6	15.5	6	80	200	10	287
MS-90S	140	175	165	100	56	24	50	8	20	7	90	227	10	322
MS-90L	140	175	165	125	56	24	50	8	20	7	90	227	10	342
MS-100L	160	200	197	140	63	28	60	8	24	7	100	251	12	385
MS-112M	190	225	219	140	70	28	60	8	24	7	112	281	12	405
MS-132S	216	255	258	140	89	38	80	10	33	8	132	320	13	480
MS-132M	216	255	258	178	89	38	80	10	33	8	132	320	13	510

### IM B5



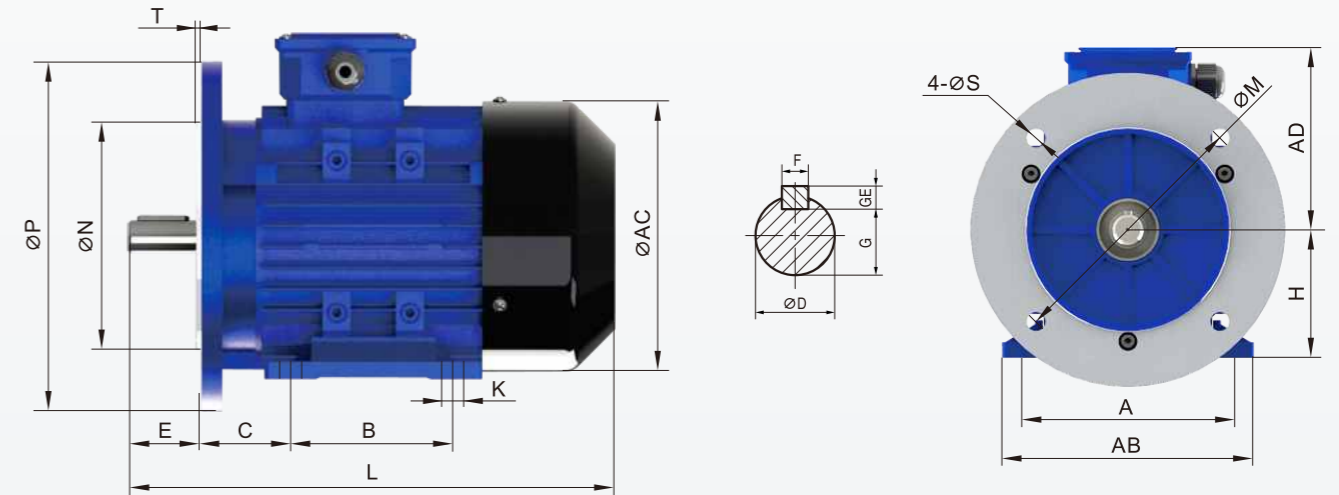
型号 Type	AC	AD	D	F	G	GE	L	M	N	P	S	T
MS-63M	122	100	11	4	8.5	4	220	115	95	140	10	3
MS-71M	136	110	14	5	11	5	247	130	110	160	10	3
MS-80S	150	120	19	6	15.5	6	273	165	130	200	12	3
MS-80L	150	120	19	6	15.5	6	287	165	130	200	12	3
MS-90S	165	137	24	8	20	7	322	165	130	200	12	3
MS-90L	165	137	24	8	20	7	342	165	130	200	12	3
MS-100L	197	151	28	8	24	7	385	215	180	250	15	4
MS-112M	219	169	28	8	24	7	405	215	180	250	15	4
MS-132S	258	188	38	10	33	8	480	265	230	300	15	4
MS-132M	258	188	38	10	33	8	510	265	230	300	15	4

### IM B34



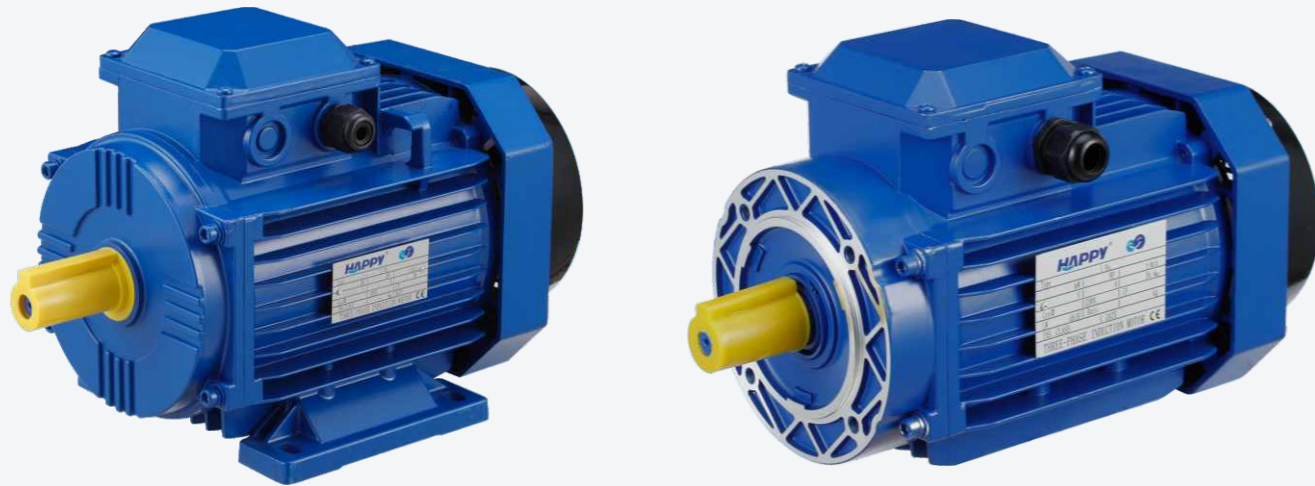
型号 Type	A	AB	AC	B	C	D	E	F	G	GE	H	HD	K	L	M	N	P	S	T
MS-63M	100	125	122	80	40	11	23	4	8.5	4	63	163	7	220	75	60	90	M5	3
MS-71M	112	140	136	90	45	14	30	5	11	5	71	181	8	247	85	70	105	M6	3
MS-80S	125	158	150	100	50	19	40	6	15.5	6	80	200	10	273	100	80	113	M6	3
MS-80L	125	158	150	100	50	19	40	6	15.5	6	80	200	10	287	100	80	113	M6	3
MS-90S	140	175	165	100	56	24	50	8	20	7	90	227	10	322	115	95	128	M8	3
MS-90L	140	175	165	125	56	24	50	8	20	7	90	227	10	342	115	95	128	M8	3
MS-100L	160	200	197	140	63	28	60	8	24	7	100	251	12	385	130	110	152	M8	4
MS-112M	190	225	219	140	70	28	60	8	24	7	112	281	12	405	130	110	160	M8	4
MS-132S	216	255	258	140	89	38	80	10	33	8	132	320	13	480	165	130	200	M10	4
MS-132M	216	255	258	178	89	38	80	10	33	8	132	320	13	510	165	130	200	M10	4

### IM B35



型号 Type	A	AB	AC	AD	B	C	D	E	F	G	GE	H	K	L	M	N	P	S	T
MS-63M	100	125	122	100	80	40	11	23	4	8.5	4	63	7	220	115	95	140	10	3
MS-71M	112	140	136	110	90	45	14	30	5	11	5	71	8	247	130	110	160	10	3
MS-80S	125	158	150	120	100	50	19	40	6	15.5	6	80	10	273	165	130	200	12	3
MS-80L	125	158	150	120	100	50	19	40	6	15.5	6	80	10	287	165	130	200	12	3
MS-90S	140	175	165	137	100	56	24	50	8	20	7	90	10	322	165	130	200	12	3
MS-90L	140	175	165	137	125	56	24	50	8	20	7	90	10	342	165	130	200	12	3
MS-100L	160	200	197	151	140	63	28	60	8	24	7	100	12	385	215	180	250	15	4
MS-112M	190	225	219	169	140	70	28	60	8	24	7	112	12	405	215	180	250	15	4
MS-132S	216	255	258	188	140	89	38	80	10	33	8	132	13	480	265	230	300	15	4
MS-132M	216	255	258	188	178	89	38	80	10	33	8	132	13	510	265	230	300	15	4



Aluminum motor  
铝壳电机

## MF高效三相异步电机

## 产品简介:

铝机壳, 铝前后盖, 铝接线盒, 铝底脚, 底脚可拆卸, 可改变安装位置。接线盒带电源线保护螺套。重量轻, 导热散热好, 低噪音, 节能, 外形美观。使用寿命长, 密封性好, 抗氧化, 耐腐蚀, 可用于室内外潮湿环境。

## 使用条件:

环境空气温度:  $-15^{\circ}\text{C} \leq \theta \leq 40^{\circ}\text{C}$

海拔: 不超过1000米

频率: 50Hz或者60Hz

接法: 3KW及以下规格为Y接法, 4KW及以上为Δ接法。

工作方式: S1 (连续工作制)

绝缘等级: B

防护等级: IP54或者IP55

冷却方式: IC411

## MF HIGH EFFICIENCY THREE PHASE ASYNCHRONOUS MOTOR

## Product introduction:

Aluminum housing, aluminum front and back cover, aluminum terminal box, aluminum feet which is removable. The installation position can be changed. Terminal box comes with power wire protection screw sleeve. Light-weight, high thermal conductivity, low noise, energy saving and beautiful appearance. Long service life, good sealing, oxidation resistance, corrosion resistance, which result in usage in humid environment no matter indoor or outdoor.

## Operating conditions:

Ambient air temperature:  $-15^{\circ}\text{C} \leq \theta \leq 40^{\circ}\text{C}$

Altitude:  $\leq 1000\text{m}$

Rated frequency: 50Hz/60Hz

Wiring method: Y wiring method for  $\leq 3\text{kW}$

$\Delta$  wiring method for  $\geq 4\text{kW}$

Working type: S1 (continuous working system)

Insulation class: B

Protection grade: IP54 or IP55

Cooling type: IC411

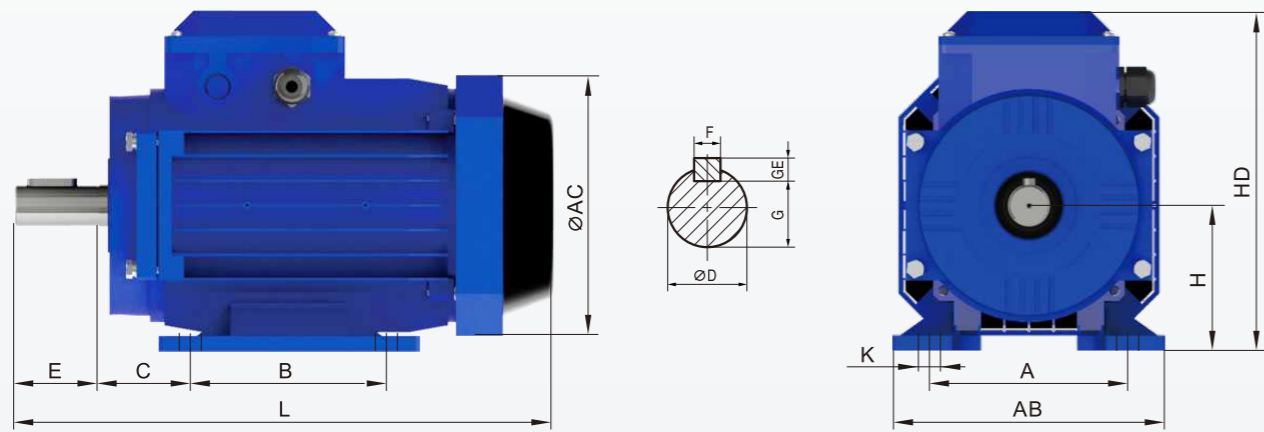
## MF高效三相异步电机

## TECHNICAL DATA OF MF HIGH EFFICIENCY THREE PHASE ASYNCHRONOUS MOTOR

型号 Type	额定功率 Rated Output		电压 Voltage V	频率 Frequency Hz	转速 Speed r/min	额定电流 Rated Current A	效率 EFF %	功率因数 Power Factor $\cos\phi$	堵转转矩 额定转矩 $\frac{T_s}{T_n}$	堵转电流 额定电流 $\frac{I_s}{I_n}$	最大转矩 额定转矩 $\frac{T_{max}}{T_n}$
	kW	HP									
MF-63M1-2	0.18	0.25	380	50	2720	0.53	65	0.8	2.2	5.5	2.2
MF-63M2-2	0.25	0.3	380	50	2720	0.69	68	0.81	2.2	5.5	2.2
MF-71M1-2	0.37	0.5	380	50	2740	0.99	70	0.81	2.2	6.1	2.2
MF-71M2-2	0.55	0.75	380	50	2740	1.40	73	0.82	2.2	6.1	2.3
MF-80S-2	0.75	1	380	50	2840	1.83	75	0.83	2.2	6.1	2.3
MF-80L-2	1.1	1.5	380	50	2840	2.61	76.2	0.84	2.2	7	2.3
MF-90S-2	1.5	2	380	50	2840	3.46	78.5	0.84	2.2	7	2.3
MF-90L-2	2.2	3	380	50	2840	4.85	81	0.85	2.2	7	2.3
MF-100L-2	3	4	380	50	2860	6.34	82.6	0.87	2.2	7.5	2.3
MF-112M-2	4	5.5	380	50	2880	8.20	84.2	0.88	2.2	7.5	2.3
MF-132S1-2	5.5	7.5	380	50	2900	11.1	85.7	0.88	2.2	7.5	2.3
MF-132S2-2	7.5	10	380	50	2900	14.9	87	0.88	2.2	7.5	2.3

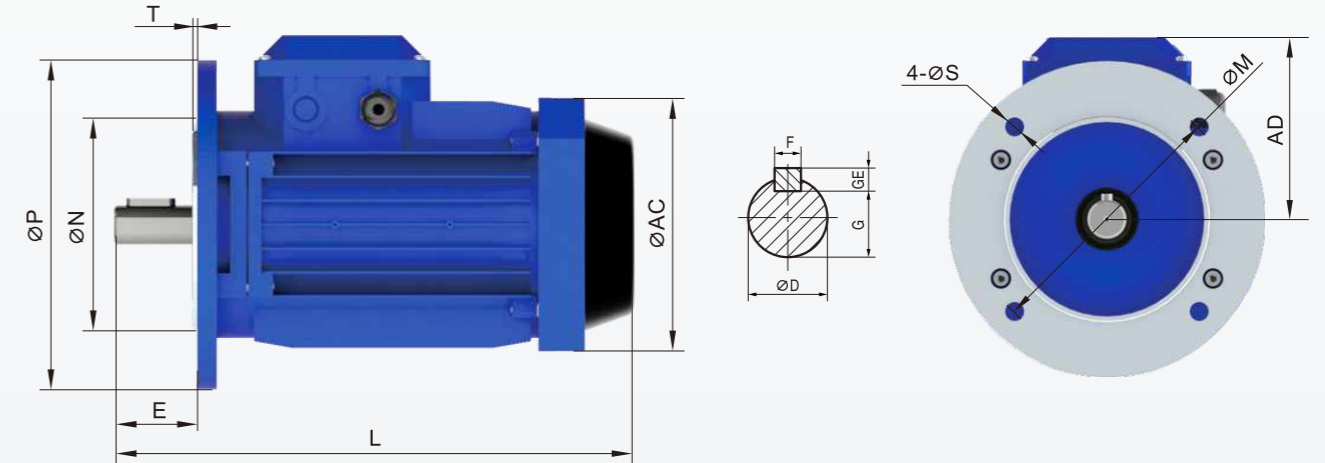
型号 Type	额定功率 Rated Output		电压 Voltage V	频率 Frequency Hz	转速 Speed r/min	额定电流 Rated Current A	效率 EFF %	功率因数 Power Factor $\cos\phi$	堵转转矩 额定转矩 $\frac{T_s}{T_n}$	堵转电流 额定电流 $\frac{I_s}{I_n}$	最大转矩 额定转矩 $\frac{T_{max}}{T_n}$
	kW	HP									
MF-63M1-4	0.12	0.18	380	50	1310	0.44	57	0.72	2.1	4.4	2.2
MF-63M2-4	0.18	0.25	380	50	1310	0.62	60	0.73	2.1	4.4	2.2
MF-71M1-4	0.25	0.3	380	50	1330	0.79	65	0.74	2.1	5.2	2.2
MF-71M2-4	0.37	0.5	380	50	1330	1.12	67	0.75	2.1	5.2	2.2
MF-80S-4	0.55	0.75	380	50	1390	1.57	71	0.75	2.4	5.2	2.3
MF-80L-4	0.75	1	380	50	1390	2.05	73	0.76	2.3	6	2.3
MF-90S-4	1.1	1.5	380	50	1390	2.85	76.2	0.77	2.3	6	2.3
MF-90L-4	1.5	2	380	50	1390	3.68	78.5	0.79	2.3	6	2.3
MF-100L1-4	2.2	3	380	50	1390	5.09	81	0.81	2.3	7	2.3
MF-100L2-4	3	4	380	50	1410	6.73	82.6	0.82	2.3	7	2.3
MF-112M-4	4	5.5	380	50	1410	8.80	84.2	0.82	2.3	7	2.3
MF-132S-4	5.5	7.5	380	50	1435	11.7	85.7	0.83	2.3	7	2.3
MF-132M-4	7.5	10	380	50	1440	15.6	87	0.84	2.3	7	2.3

IM B3



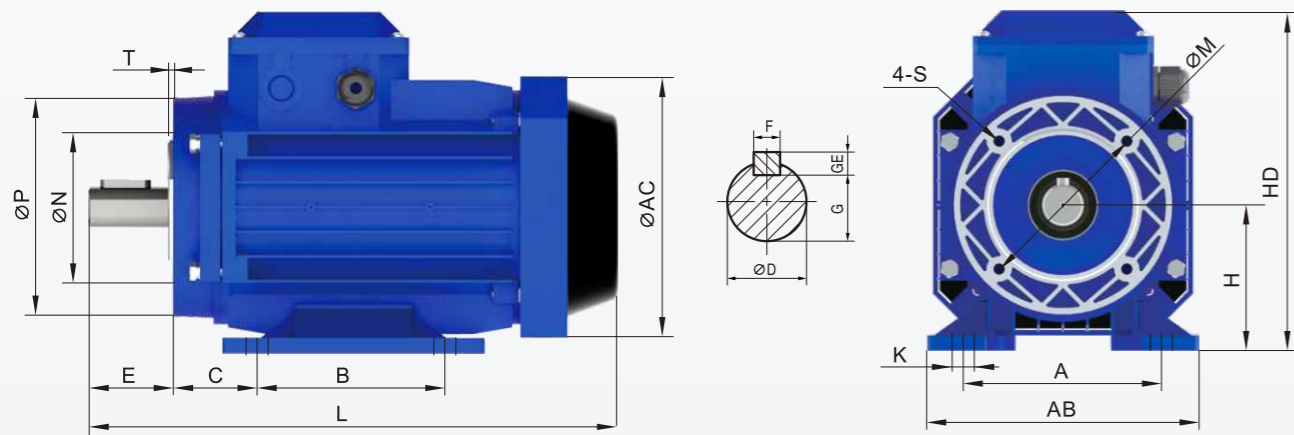
型号 Type	A	AB	AC	B	C	D	E	F	G	GE	H	HD	K	L
MF-63M	100	125	116	80	40	11	23	4	8.5	4	63	154	7	216
MF-71M	112	140	130	90	45	14	30	5	11	5	71	171	8	243
MF-80S	125	158	142	100	50	19	40	6	15.5	6	80	187	10	264
MF-80L	125	158	142	100	50	19	40	6	15.5	6	80	187	10	278
MF-90S	140	175	154	100	56	24	50	8	20	7	90	210	10	300
MF-90L	140	175	154	125	56	24	50	8	20	7	90	210	10	320
MF-100L	160	200	181	140	63	28	60	8	24	7	100	238	12	381
MF-112M	190	225	204	140	70	28	60	8	24	7	112	281	12	398
MF-132S	216	255	245	140	89	38	80	10	33	8	132	316	13	460
MF-132M	216	255	245	178	89	38	80	10	33	8	132	316	13	506

IM B5



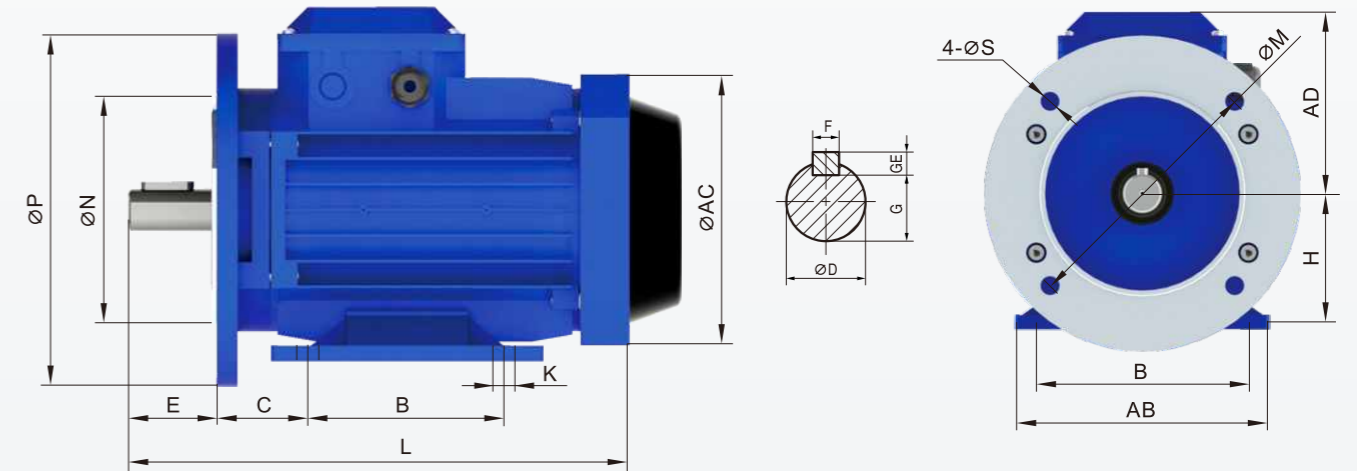
型号 Type	AC	AD	D	F	G	GE	L	M	N	P	S	T
MF-63M	116	91	11	4	8.5	4	216	115	95	140	10	3
MF-71M	130	100	14	5	11	5	243	130	110	160	10	3
MF-80S	142	107	19	6	15.5	6	264	165	130	200	12	3
MF-80L	142	107	19	6	15.5	6	278	165	130	200	12	3
MF-90S	154	120	24	8	20	7	300	165	130	200	12	3
MF-90L	154	120	24	8	20	7	320	165	130	200	12	3
MF-100L	181	138	28	8	24	7	381	215	180	250	15	4
MF-112M	204	169	28	8	24	7	398	215	180	250	15	4
MF-132S	245	184	38	10	33	8	460	265	230	300	15	4
MF-132M	245	184	38	10	33	8	506	265	230	300	15	4

IM B34



型号 Type	A	AB	AC	B	C	D	E	F	G	GE	H	HD	K	L	M	N	P	S	T
MF-63M	100	125	116	80	40	11	23	4	8.5	4	63	154	7	216	75	60	90	M5	3
MF-71M	112	140	130	90	45	14	30	5	11	5	71	171	8	243	85	70	105	M6	3
MF-80S	125	158	142	100	50	19	40	6	15.5	6	80	187	10	264	100	80	120	M6	3
MF-80L	125	158	142	100	50	19	40	6	15.5	6	80	187	10	278	100	80	120	M6	3
MF-90S	140	175	154	100	56	24	50	8	20	7	90	210	10	300	115	95	140	M8	3
MF-90L	140	175	154	125	56	24	50	8	20	7	90	210	10	320	115	95	140	M8	3
MF-100L	160	200	181	140	63	28	60	8	24	7	100	238	12	381	130	110	160	M8	4
MF-112M	190	225	204	140	70	28	60	8	24	7	112	281	12	398	130	110	160	M8	4
MF-132S	216	255	245	140	89	38	80	10	33	8	132	316	13	460	165	130	200	M10	4
MF-132M	216	255	245	178	89	38	80	10	33	8	132	316	13	506	165	130	200	M10	4

IM B35



型号 Type	A	AB	AC	AD	B	C	D	E	F	G	GE	H	K	L	M	N	P	S	T
MF-63M	100	125	116	91	80	40	11	23	4	8.5	4	63	7	216	115	95	140	10	3
MF-71M	112	140	130	100	90	45	14	30	5	11	5	71	8	243	130	110	160	10	3
MF-80S	125	158	142	107	100	50	19	40	6	15.5	6	80	10	264	165	130	200	12	3
MF-80L	125	158	142	107	100	50	19	40	6	15.5	6	80	10	278	165	130	200	12	3
MF-90S	140	175	154	120	100	56	24	50	8	20	7	90	10	300	165	130	200	12	3
MF-90L	140	175	154	120	125	56	24	50	8	20	7	90	10	320	165	130	200	12	3
MF-100L	160	200	181	138	140	63	28	60	8	24	7	100	12	381	215	180	250	15	4
MF-112M	190	225	204	169	140	70	28	60	8	24	7	112	12	398	215	180	250	15	4
MF-132S	216	255	245	184	140	89	38	80	10	33	8	132	13	460	265	230	300	15	4
MF-132M	216	255	245	184	178	89	38	80	10	33	8	132	13	506	265	230	300	15	4





Cast iron motor  
铸铁电机

### YEJ三相异步电磁制动电机

**产品简介:**

YEJ系列电机外观精美，直流制动，效率高，启动转矩大。此外，制动器有手动释放开关，这样便具有人工和电器双释放的功能，方便用户调试和使用。此款电机适用于要求快速停止准确定位、往复运转、频繁启动防止滑行的各种机械设备。例如升降机，运输设备，包装设备，食品机械，印刷设备，减速机械等。

**使用条件:**

**环境空气温度:**  $-15^{\circ}\text{C} \leq \theta \leq 40^{\circ}\text{C}$

**海拔:** 不超过1000米

**频率:** 50Hz或者60Hz

**接法:** 3KW及以下规格为Y接法，4KW及以上为Δ接法。

**工作方式:** S1 (连续工作制)

**绝缘等级:** B

**冷却方式:** IC411

### YEJ THREE PHASE ASYNCHRONOUS ELECTROMAGNETIC BRAKE MOTOR

**Product introduction:**

YEJ series motors have beautiful modeling, DC braking, high efficiency, large starting torque. Besides, the brake has a manual release device, which allows the brake a function of both manual and electrical release and is convenient for using. The motor is suitable for the machinery that requires prompt braking correct positioning, repeated running, frequent starting and avoiding slipping, such as elevating machinery, transportation machinery, packing machinery, food machinery, printing machinery, weaving machinery and reducers etc.

**Operating conditions:**

**Ambient air temperature:**  $-15^{\circ}\text{C} \leq \theta \leq 40^{\circ}\text{C}$

**Altitude:**  $\leq 1000\text{m}$

**Rated frequency:** 50Hz/60Hz

**Wiring method:** Y wiring method for  $\leq 3\text{kw}$

$\Delta$ wiring method for  $\geq 4\text{kw}$

**Working type:** S1 (continuous working system)

**Insulation class:** B

**Cooling type:** IC411

### YEJ三相异步电磁制动电机

#### TECHNICAL DATA OF YEJ THREE PHASE ASYNCHRONOUS ELECTROMAGNETIC BRAKE MOTOR

型号 Type	额定功率 Rated Output		转速 Speed r/min	电流 In (A)	效率 EFF %	功率因数 Power Factor cos φ	额定 转矩 Tn Nm	堵转转矩 Ts Tn	堵转电流 Is In	最大转矩 Tmax Tn	静制动力矩 Full Load Braking Moment	空载制动时间不大于 Max Braking Time at No Load (S)	制动器功率 Brake power W	噪声 Noise LwdB(A)	重量 Weight Kg
	kW	HP													

**380V 50HZ 2pole 3000rpm**

YEJ80M1-2	0.75	1	2840	1.83	75.1	0.83	2.54	2.2	6.1	2.3	7.5	0.20	30.0	64	12.7
YEJ80M2-2	1.1	1.5	2840	2.58	77.0	0.84	3.72	2.2	7.0	2.3	7.5	0.20	30.0	64	13.5
YEJ90S-2	1.5	2	2840	3.43	79.0	0.84	5.04	2.2	7.0	2.3	15.0	0.25	45.0	69	16.3
YEJ90L-2	2.2	3	2840	4.85	81.1	0.85	7.40	2.2	7.0	2.3	15.0	0.25	45.0	69	18.0
YEJ100L-2	3	4	2860	6.33	82.8	0.87	9.95	2.2	7.5	2.3	30.0	0.30	60.0	73	27.0
YEJ112M-2	4	5.5	2880	8.18	84.4	0.88	13.22	2.2	7.5	2.3	40.0	0.35	65.0	74	37.0
YEJ132S1-2	5.5	7.5	2900	11.1	85.9	0.88	18.11	2.2	7.5	2.3	80.0	0.40	90.0	77	49.1
YEJ132S2-2	7.5	10	2900	14.9	87.2	0.88	24.70	2.2	7.5	2.3	80.0	0.40	90.0	77	54.5
YEJ160M1-2	11	15	2930	21.2	88.5	0.89	35.85	2.2	7.5	2.3	150.0	0.50	110.0	83	84.2
YEJ160M2-2	15	20	2930	28.6	89.5	0.89	48.89	2.2	7.5	2.3	150.0	0.50	110.0	83	93.0
YEJ160L-2	18.5	25	2930	34.6	90.2	0.90	60.30	2.2	7.5	2.3	150.0	0.50	110.0	83	103.5

**380V 50HZ 4pole 1500rpm**

YEJ80M1-4	0.55	0.75	1390	1.57	71.1	0.75	3.75	2.3	5.2	2.3	7.5	0.20	30.0	58	13.4
YEJ80M2-4	0.75	1	1390	2.05	73.1	0.76	5.11	2.3	6.0	2.3	7.5	0.20	30.0	58	14.8
YEJ90S-4	1.1	1.5	1390	2.84	76.3	0.77	7.50	2.3	6.0	2.3	15.0	0.25	45.0	59	16.5
YEJ90L-4	1.5	2	1390	3.67	78.6	0.79	10.23	2.3	6.0	2.3	15.0	0.25	45.0	59	18.3
YEJ100L1-4	2.2	3	1410	5.08	81.2	0.81	14.80	2.3	7.0	2.3	30.0	0.30	60.0	61	26.8
YEJ100L2-4	3	4	1410	6.72	82.7	0.82	20.13	2.3	7.0	2.3	30.0	0.30	60.0	61	29.5
YEJ112M-4	4	5.5	1435	8.79	84.3	0.82	26.53	2.3	7.0	2.3	40.0	0.35	65.0	62	37.5
YEJ132S-4	5.5	7.5	1440	11.70	85.8	0.83	36.48	2.3	7.0	2.3	80.0	0.40	90.0	69	51.5
YEJ132M-4	7.5	10	1440	15.60	87.1	0.84	49.74	2.3	7.0	2.3	80.0	0.40	90.0	69	57.5
YEJ160M-4	11	15	1460	22.50	88.5	0.84	71.59	2.3	7.0	2.3	150.0	0.50	110.0	72	87.5
YEJ160L-4	15	20	1460	30.00	89.5	0.85	98.12	2.3	7.0	2.3	150.0	0.50	110.0	73	100.3

YEJ三相异步电磁制动电机

TECHNICAL DATA OF YEJ THREE PHASE ASYNCHRONOUS ELECTROMAGNETIC BRAKE MOTOR

型号 Type	额定功率 Rated Output		转速 Speed r/min	电流 In (A)	效率 EFF %	功率因数 Power Factor cos φ	额定 转矩 Tn Nm	堵转转矩 Ts Tn	堵转电流 Is In	最大转矩 Tmax Tn	静制动力矩 Full Load Braking Moment	空载制动时 间不大于 Max Braking Time at No Load (S)	制动器 功率 Brake power W	噪声 Noise LwdB(A)	重量 Weight Kg
	kW	HP													

380V 50HZ 6pole 1000rpm

YEJ80M1-6	0.37	0.5	885	1.30	62.0	0.70	3.93	1.9	4.7	2.0	7.5	0.20	30	51	12.9
YEJ80M2-6	0.55	0.75	885	1.78	65.0	0.72	5.84	1.9	4.7	2.1	7.5	0.20	30	51	14.4
YEJ90S-6	0.75	1	910	2.29	69.0	0.72	7.87	2.0	5.5	2.1	15.0	0.25	45	54	16.6
YEJ90L-6	1.1	1.5	910	3.18	72.1	0.73	11.54	2.0	5.5	2.1	15.0	0.25	45	54	18.2
YEJ100L-6	1.5	2	920	3.99	76.1	0.75	15.24	2.0	5.5	2.1	30.0	0.30	60	58	29.0
YEJ112M-6	2.2	3	935	5.55	79.2	0.76	22.35	2.1	6.5	2.1	40.0	0.35	65	62	36.2
YEJ132S-6	3	4	960	7.40	81.1	0.76	29.84	2.1	6.5	2.1	75.0	0.40	90	66	50.2
YEJ132M1-6	4	5.5	960	9.74	82.1	0.76	39.79	2.1	6.5	2.1	75.0	0.40	90	66	53.0
YEJ132M2-6	5.5	7.5	960	12.90	84.1	0.77	54.71	2.1	6.5	2.1	75.0	0.40	110	66	57.2
YEJ160M-6	7.5	10	970	17.20	86.1	0.77	73.84	2.1	6.5	2.1	150.0	0.50	110	70	85.6
YEJ160L-6	11	15	970	24.50	87.6	0.78	108.30	2.1	6.5	2.1	150.0	0.50	110	70	90.0

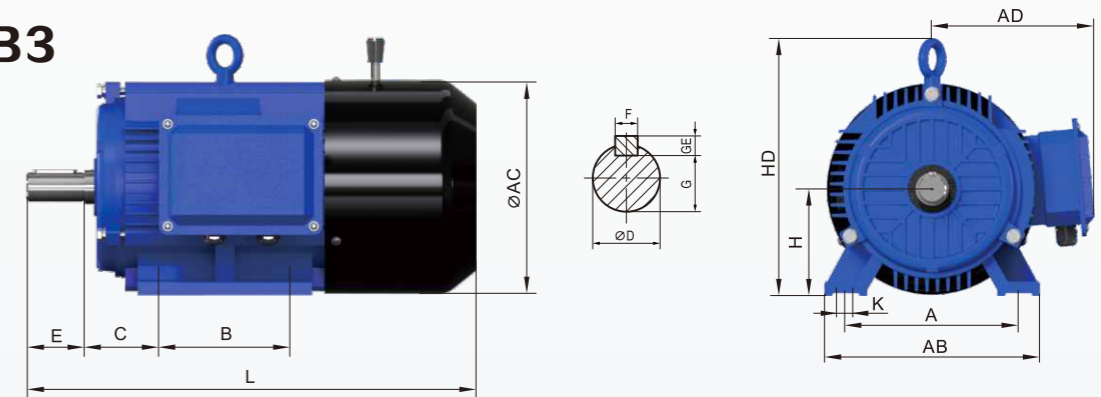
380V 50HZ 8pole 750rpm

YEJ100L1-8	0.75	1	680	2.40	71.0	0.67	10.23	1.8	4.0	2.0	30	0.30	60	56	29.0
YEJ100L2-8	1.1	1.5	680	3.32	73.0	0.69	15.00	1.8	5.0	2.0	30	0.30	60	56	31.1
YEJ112M-8	1.5	2	690	4.40	75.0	0.69	20.46	1.8	5.0	2.0	40	0.35	65	59	38.2
YEJ132S-8	2.2	3	705	6.04	78.0	0.71	29.59	1.8	6.0	2.0	75	0.40	90	61	50.3
YEJ132M-8	3	4	705	7.90	79.0	0.73	40.35	1.8	6.0	2.0	75	0.40	90	61	55.0
YEJ160M1-8	4	5.5	720	10.30	81.0	0.73	53.06	1.9	6.0	2.0	150	0.50	110	65	83.5
YEJ160M2-8	5.5	7.5	720	13.60	83.0	0.74	72.59	2.0	6.0	2.0	150	0.50	110	65	91.0
YEJ160L-8	7.5	10	720	17.80	85.5	0.75	99.50	2.0	6.0	2.0	150	0.50	110	65	100.2

三相异步电动机的安装数据

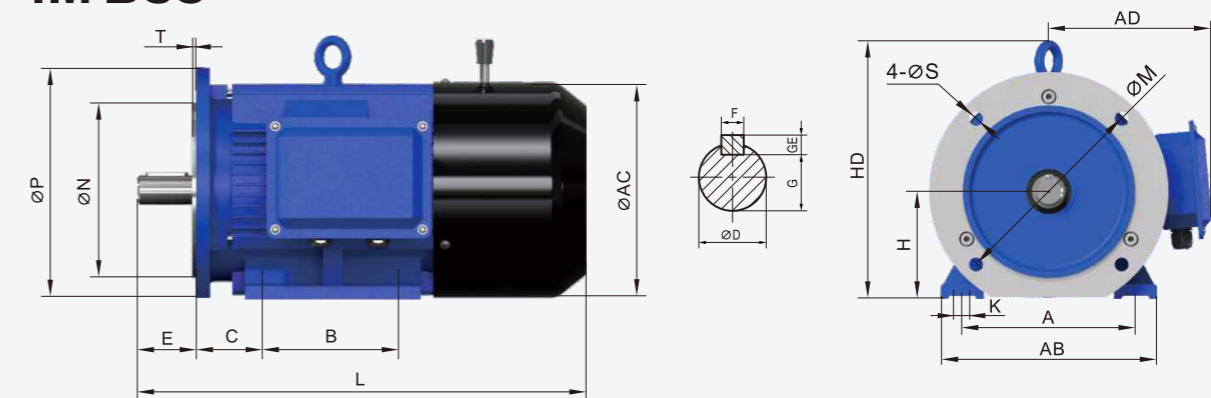
MOUNTING DATA FOR THREE PHASE ASYNCHRONOUS MOTOR

IM B3



FRAME SIZE	POLES	A	AB	AC	AD	B	C	D	E	F	G	GE	H	HD	K	L
80M	2 4 6 8	125	160	156	145	100	50	19	40	6	15.5	6	80	165	10	350
90S	2 4 6 8	140	176	176	155	100	56	24	50	8	20	7	90	185	10	385
90L	2 4 6 8	140	176	176	155	125	56	24	50	8	20	7	90	185	10	410
100L	2 4 6 8	160	200	196	180	140	63	28	60	8	24	7	100	230	12	450
112M	2 4 6 8	190	226	219	190	140	70	28	60	8	24	7	112	240	12	470
132S	2 4 6 8	216	262	258	210	140	89	38	80	10	33	8	132	310	12	562
132M	2 4 6 8	216	262	258	210	178	89	38	80	10	33	8	132	310	12	603
160M	2 4 6 8	254	314	314	255	210	108	42	110	12	37	8	160	385	14.5	715
160L	2 4 6 8	254	314	314	255	254	108	42	110	12	37	8	160	385	14.5	758

IM B35



FRAME SIZE	POLES	A	AB	AC	AD	B	C	D	E	F	G	GE	H	HD	K	L	M	N	P	S	T
80M	2 4 6 8	125	160	156	145	100	50	19	40	6	15.5	6	80	165	10	350	165	130	200	12	3.5
90S	2 4 6 8	140	176	176	155	100	56	24	50	8	20	7	90	185	10	385	165	130	200	12	3.5
90L	2 4 6 8	140	176	176	155	125	56	24	50	8	20	7	90	185	10	410	165	130	200	12	3.5
100L	2 4 6 8	160	200	196	180	140	63	28	60	8	24	7	100	230	12	450	215	180	250	14.5	4
112M	2 4 6 8	190	226	219	190	140	70	28	60	8	24	7	112	240	12	470	215	180	250	14.5	4
132S	2 4 6 8	216	262	258	210	140	89	38	80	10	33	8	132	310	12	562	265	230	300	14.5	4
132M	2 4 6 8	216	262	258	210	178	89	38	80	10	33	8	132	310	12	603	265	230	300	14.5	4
160M	2 4 6 8	254	314	314	255	210	108	42	110	12	37	8	160	385	14.5	715	300	250	350	18.5	5
160L	2 4 6 8	254	314	314	255	254	108	42	110	12	37	8	160	385	14.5	758	300	250	350	18.5	5

## 技术数据 TECHNICAL DATA



Cast iron motor  
铸铁电机

### YC/YCL单相双值电容异步电机

**产品简介:**

机壳和前后盖采用铸铁材质，硬度高，承载能力强，结构稳定，不易变形。产品采用外置离心开关设计，增加电机内部的定转子的高度，使电机具有高启动力，稳定的运行性能。该产品已被广泛用于单相电源重载启动的设备，如：粉碎机，起动机，水泥搅拌机等。

**使用条件:**

环境空气温度:  $-15^{\circ}\text{C} \leq \theta \leq 40^{\circ}\text{C}$

海拔: 不超过1000米

频率: 50Hz或者60Hz

接法: 可改变接线方式来改变电机的旋转方向

工作方式: S1 (连续工作制) 或者S2 (短时工作制)

绝缘等级: B

防护等级: IP44

冷却方式: IC411

### YC/YCL SINGLE PHASE TWO-VALUE CAPACITOR ASYNCHRONOUS MOTOR

**Product introduction:**

The housing, front and back cover are made of cast-iron, with high hardness, strong bearing capacity, firm structure and uneasy to deform. This product adopts external centrifugal switch design to increase the height of stator and rotor inside the motor, which results the high starting power and stable operation performance of motor. YC/YCL electric motor is widely used for single-phase heavy-loading starting equipment such as crusher, crane, cement mixer and etc.

**Operating conditions:**

Ambient air temperature:  $-15^{\circ}\text{C} \leq \theta \leq 40^{\circ}\text{C}$

Altitude:  $\leq 1000\text{m}$

Rated frequency: 50Hz/60Hz

Wiring method: the rotation direction of motor can be changed by the wiring method

Working type: S1 (continuous working system)

Insulation class: B

Protection grade: IP44

Cooling type: IC411

### YC/YCL单相双值电容异步电机

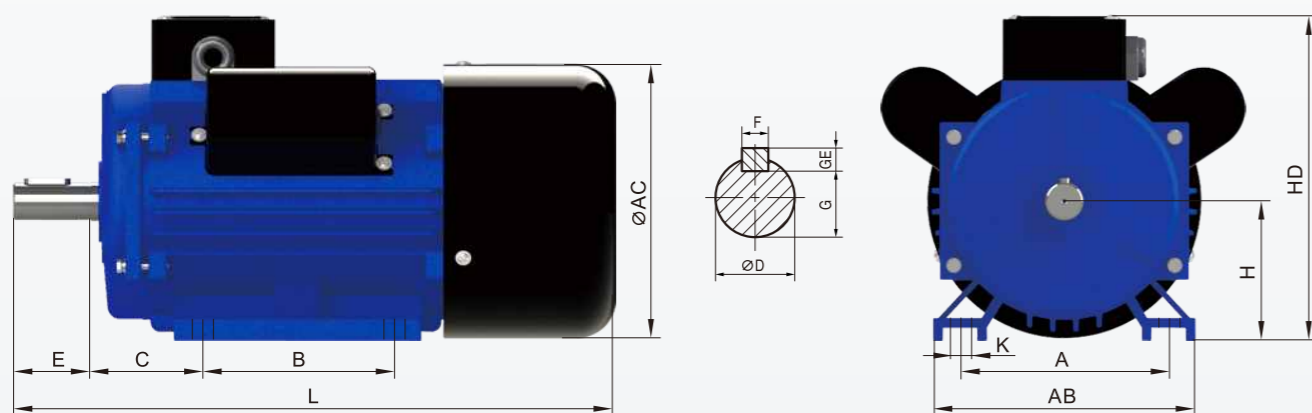
#### TECHNICAL DATA OF YC/YCL SINGLE PHASE TWO-VALUE CAPACITOR ASYNCHRONOUS MOTOR

型号 Type	额定功率 Rated Output		电压 Voltage V	频率 Frequency Hz	转速 Speed r/min	额定电流 Rated Current A	效率 EFF %	功率因数 Power Factor cos φ	额定转矩 Rated Torque Nm	堵转转矩	堵转电流 Locked-Rotor Current A	最大转矩
	kW	HP								$\frac{T_s}{T_n}$		$\frac{T_{max}}{T_n}$
YCL80M1-2	0.37	0.5	220	50	2780	2.72	65	0.95	1.3	2.8	24	1.8
YCL80M2-2	0.55	0.75	220	50	2780	3.87	68	0.95	1.9	2.8	34	1.8
YCL90S-2	0.75	1.1	220	50	2800	5.13	70	0.95	2.6	2.5	44	1.8
YCL90L-2	1.1	1.5	220	50	2800	7.31	72	0.95	3.8	2.5	72	1.8
YCL100L1-2	1.5	2	220	50	2820	9.91	74	0.93	5.1	2.5	96	1.8
YCL100L2-2	2.2	3	220	50	2820	14.65	75	0.91	7.5	2.2	144	1.8
YCL112M-2	3	4	220	50	2830	19.94	76	0.9	10.1	2.2	180	1.8
YCL132S-2	3.7	5	220	50	2850	24.27	77	0.9	12.4	2.2	210	1.8

型号 Type	额定功率 Rated Output		电压 Voltage V	频率 Frequency Hz	转速 Speed r/min	额定电流 Rated Current A	效率 EFF %	功率因数 Power Factor cos φ	额定转矩 Rated Torque Nm	堵转转矩	堵转电流 Locked-Rotor Current A	最大转矩
	kW	HP								$\frac{T_s}{T_n}$		$\frac{T_{max}}{T_n}$
YCL80M1-4	0.25	0.3	220	50	1390	2.11	58	0.93	1.7	2.8	18	1.8
YCL80M2-4	0.37	0.5	220	50	1390	2.92	62	0.93	2.5	2.5	24	1.8
YCL90S-4	0.55	0.75	220	50	1400	4.12	66	0.92	3.8	2.5	34	1.8
YCL90L-4	0.75	1.1	220	50	1400	5.45	68	0.92	5.1	2.5	44	1.8
YCL100L1-4	1.1	1.5	220	50	1410	7.82	71	0.9	7.5	2.5	72	1.8
YCL100L2-4	1.5	2	220	50	1410	10.4	73	0.9	10.2	2.5	96	1.8
YCL112M-4	2.2	3	220	50	1420	15.0	74	0.9	14.8	2.2	144	1.8
YCL132S-4	3	4	220	50	1420	20.2	75	0.9	20.2	2.2	180	1.8
YCL132M-4	3.7	5	220	50	1430	24.6	76	0.9	24.7	2.2	210	1.8



### IM B3



型号 Type	A	AB	AC	B	C	D	E	F	G	GE	H	HD	K	L
YCL-80M	125	160	155	100	50	19	40	6	15.5	6	80	200	10	320
YCL-90S	140	174	177	100	56	24	50	8	20	7	90	215	10	365
YCL-90L	140	174	177	125	56	24	50	8	20	7	90	215	10	395
YCL-100L	160	198	194	140	63	28	60	8	24	7	100	230	12	440
YCL-112M	190	224	215	140	70	28	60	8	24	7	112	252	12	450
YCL-132S	216	260	255	140	89	38	80	10	33	8	132	295	12	495
YCL-132M	216	260	255	178	89	38	80	10	33	8	132	295	12	540





Cast iron motor  
铸铁电机

### YL单相双值电容异步电机

**产品简介:**

机壳和前后盖采用铸铁材质，硬度高，承载能力强，结构简单可靠，便于维护。电机具有较大的启动转矩和运转转矩，稳定的运行性能。可增加过热保护装置，增加电机的使用寿命和安全性。使用范围广泛，可作为大部分单相电源设备的动力源，如：谷物碾磨机，空气压缩机，清洗机，水泵等。

**使用条件:**

**环境空气温度:** -15°C ≤ θ ≤ 40°C

**海拔:** 不超过1000米

**频率:** 50Hz或者60Hz

**接法:** 可改变接线方式来改变电机的旋转方向

**工作方式:** S1 (连续工作制)

**防护等级:** IP44

**冷却方式:** IC411

### YL SINGLE PHASE TWO-VALUE CAPACITOR ASYNCHRONOUS MOTOR

**Product introduction:**

The housing, front and back cover are made of cast-iron, with high hardness, strong bearing capacity, firm structure and uneasy to deform. YL series has large starting torque and running torque with stable running performance. Overheat protector is optional, which can prolong the working life and increase safety of motor. It has been widely used as the power source for grain mill, air compressor, washing machine, water pump and other equipments.

**Operating conditions:**

**Ambient air temperature:** -15°C ≤ θ ≤ 40°C

**Altitude:** ≤ 1000m

**Rated frequency:** 50Hz/60Hz

**Wiring method:** the rotation direction of motor can be changed by the wiring method

**Working type:** S1 (continuous working system)

**Protection grade:** IP44

**Cooling type:** IC411

### YL单相双值电容异步电机

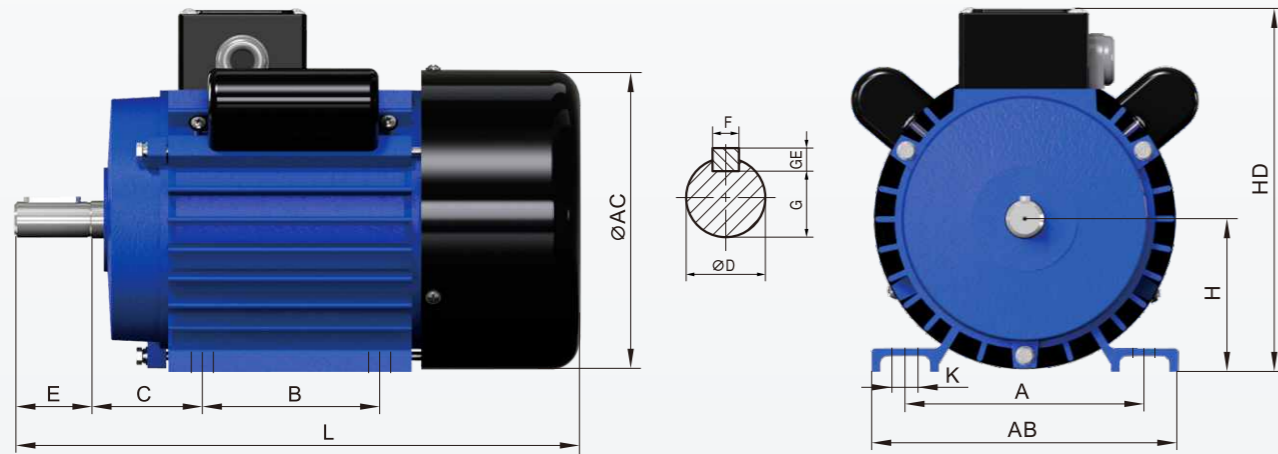
#### TECHNICAL DATA OF YL SINGLE PHASE TWO-VALUE CAPACITOR ASYNCHRONOUS MOTOR

型号 Type	额定功率 Rated Output		电压 Voltage V	频率 Frequency Hz	转速 Speed r/min	额定电流 Rated Current A	效率 EFF %	功率因数 Power Factor cos φ	额定转矩 Rated Torque Nm	堵转转矩	堵转电流	最大转矩
	kW	HP								$\frac{T_s}{T_n}$	$\frac{I_s}{I_n}$	$\frac{T_{max}}{T_n}$
YL80M1-2	0.75	1	220	50	2790	4.88	72	0.97	2.57	1.8	5.5	1.8
YL80M2-2	1.1	1.5	220	50	2790	7.11	74	0.95	3.77	1.8	5.5	1.8
YL90S-2	1.5	2	220	50	2800	9.47	75	0.96	5.12	1.8	5.5	1.8
YL90L-2	2.2	3	220	50	2800	13.56	76	0.97	7.50	1.7	5.5	1.8
YL100L-2	3	4	220	50	2820	18.40	78	0.95	10.2	1.7	6	1.8
YL112M-2	3.7	5	220	50	2830	22.41	79	0.95	12.5	1.7	6	1.6
YL132S-2	5.5	7.5	220	50	2850	32.89	80	0.95	18.4	1.7	6	1.6

型号 Type	额定功率 Rated Output		电压 Voltage V	频率 Frequency Hz	转速 Speed r/min	额定电流 Rated Current A	效率 EFF %	功率因数 Power Factor cos φ	额定转矩 Rated Torque Nm	堵转转矩	堵转电流	最大转矩
	kW	HP								$\frac{T_s}{T_n}$	$\frac{I_s}{I_n}$	$\frac{T_{max}}{T_n}$
YL80M1-4	0.55	0.75	220	50	1380	3.87	68	0.95	3.81	1.7	5	1.7
YL80M2-4	0.75	1	220	50	1380	5.07	70	0.96	5.19	1.7	5	1.7
YL90S-4	1.1	1.5	220	50	1390	7.41	71	0.95	7.56	1.7	5	1.7
YL90L-4	1.5	2	220	50	1390	9.63	73	0.97	10.3	1.7	5	1.7
YL100L1-4	2.2	3	220	50	1400	13.89	75	0.96	15.0	1.7	5	1.7
YL100L2-4	3	4	220	50	1400	18.45	77	0.96	20.5	1.7	5	1.7
YL112M-4	3.7	5	220	50	1410	22.70	78	0.95	25.1	1.7	5.5	1.6
YL132S-4	5.5	7.5	220	50	1420	33.31	79	0.95	37.0	1.7	5.5	1.6

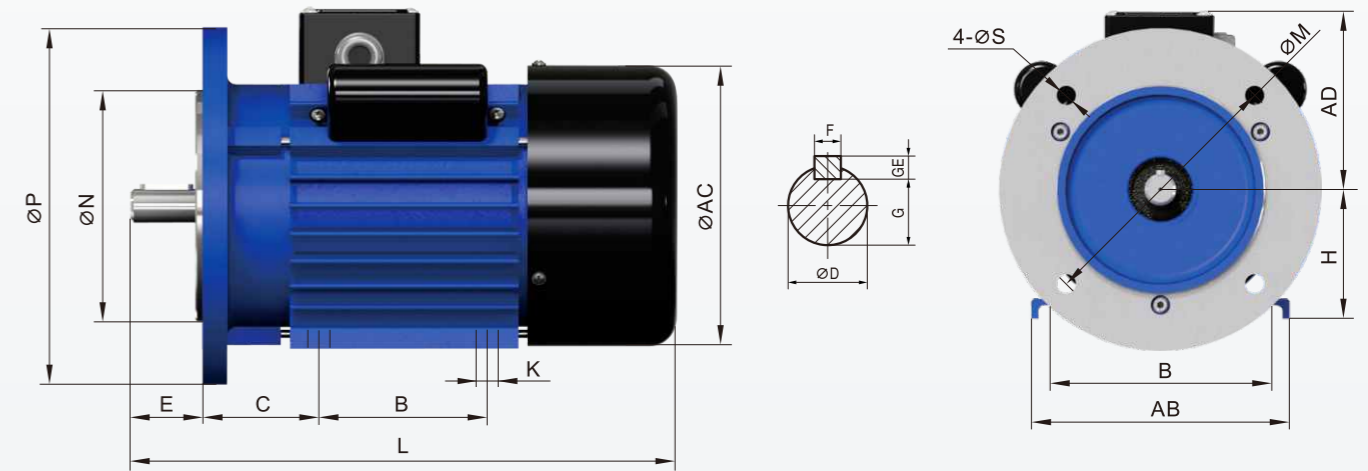
单相异步电动机的安装数据  
MOUNTING DATA FOR SINGLE PHASE ASYNCHRONOUS MOTOR

IM B3



型号 Type	A	AB	AC	B	C	D	E	F	G	GE	H	HD	K	L
YL-80M	125	160	155	100	50	19	40	6	15.5	6	80	200	10	320
YL-90S	140	174	177	100	56	24	50	8	20	7	90	215	10	365
YL-90L	140	174	177	125	56	24	50	8	20	7	90	215	10	395
YL-100L	160	198	194	140	63	28	60	8	24	7	100	230	12	440
YL-112M	190	224	215	140	70	28	60	8	24	7	112	252	12	450
YL-132S	216	260	255	140	89	38	80	10	33	8	132	295	12	495
YL-132M	216	260	255	178	89	38	80	10	33	8	132	295	12	540

IM B35



型号 Type	A	AB	AC	AD	B	C	D	E	F	G	GE	H	K	L	M	N	P	S	T
YL-80M	125	160	155	120	100	50	19	40	6	15.5	6	80	10	320	165	130	200	12	3
YL-90S	140	174	177	125	100	56	24	50	8	20	7	90	10	365	165	130	200	12	3
YL-90L	140	174	177	125	125	56	24	50	8	20	7	90	10	395	165	130	200	12	3
YL-100L	160	198	194	130	140	63	28	60	8	24	7	100	12	440	215	180	250	14.5	4
YL-112M	190	224	215	140	140	70	28	60	8	24	7	112	12	450	215	180	250	14.5	4
YL-132S	216	260	255	163	140	89	38	80	10	33	8	132	12	495	265	230	300	14.5	4
YL-132M	216	260	255	163	178	89	38	80	10	33	8	132	12	540	265	230	300	14.5	4





Aluminum motor  
铝壳电机

MY单相单电容异步电机

产品简介:

铝机壳, 铝前后盖, 塑料接线盒, 铝底脚, 底脚可拆卸, 可改变安装位置。接线盒带电源线保护螺套。电机重量轻, 导热散热好, 长时间运行稳定, 外形美观, 密封性好, 抗氧化, 耐腐蚀, 可用于室内外潮湿环境。被广泛用于风机, 水泵等轻载启动的单相电源设备。

使用条件:

环境空气温度:  $-15^{\circ}\text{C} \leq \theta \leq 40^{\circ}\text{C}$

海拔: 不超过1000米

频率: 50Hz或者60Hz

接法: 可改变接线方式来改变电机的旋转方向

工作方式: S1 (连续工作制)

绝缘等级: B

防护等级: IP54或者IP55

冷却方式: IC411

MY SINGLE PHASE CAPACITOR-RUN ASYNCHRONOUS MOTOR

Product introduction:

Aluminum housing, aluminum front and back cover, aluminum terminal box, aluminum feet which is removable. The installation position can be changed. Terminal box comes with power wire protection screw sleeve. Light-weight, high thermal conductivity, low noise, energy saving and beautiful appearance. Long service life, good sealing, oxidation resistance, corrosion resistance, which result in usage in humid environment no matter indoor or outdoor. The motor is widely used for single-phase power source such as fan, water pump and other light-loading start equipments.

Operating conditions:

Ambient air temperature:  $-15^{\circ}\text{C} \leq \theta \leq 40^{\circ}\text{C}$

Altitude:  $\leq 1000\text{m}$

Rated frequency: 50Hz/60Hz

Wiring method: the rotation direction of motor can be changed by the wiring method

Working type: S1 (continuous working system)

Insulation class: B

Protection grade: IP54 or IP55

Cooling type: IC411

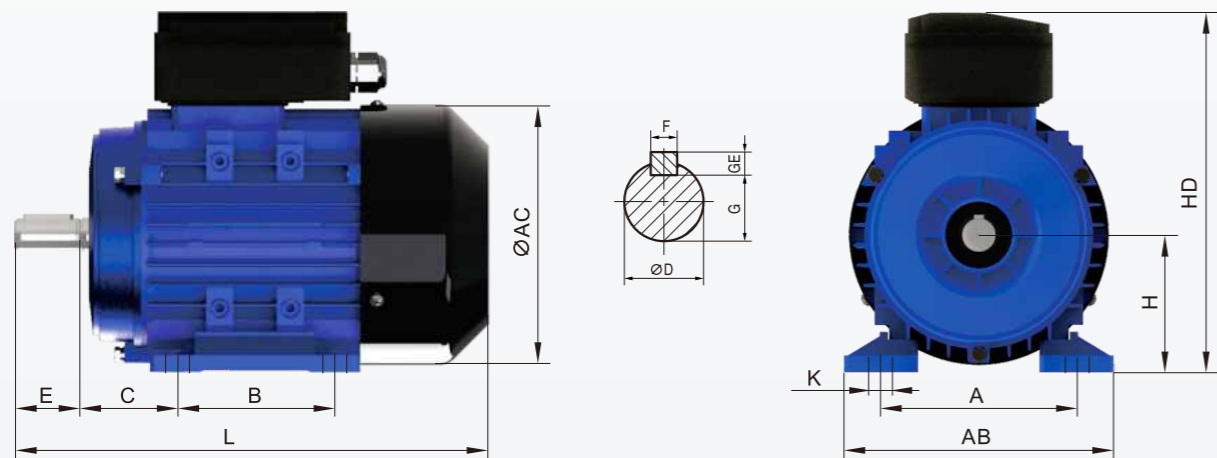
MY单相单电容异步电机

TECHNICAL DATA OF MY SINGLE PHASE CAPACITOR-RUN ASYNCHRONOUS MOTOR

型号 Type	额定功率 Rated Output		电压 Voltage V	频率 Frequency Hz	转速 Speed r/min	额定电流 Rated Current A	效率 EFF %	功率因数 Power Factor cos φ	额定转矩 Rated Torque Nm	堵转转矩 额定转矩 $\frac{T_s}{T_n}$	堵转电流 Locked-Rotor Current A	最大转矩 额定转矩 $\frac{T_{max}}{T_n}$
	kW	HP										
MY63M1-2	0.18	0.25	220	50	2750	1.37	65	0.92	0.63	0.4	6	1.7
MY63M2-2	0.25	0.3	220	50	2750	1.87	66	0.92	0.87	0.4	8	1.7
MY71M1-2	0.37	0.5	220	50	2780	2.73	67	0.92	1.27	0.35	12	1.7
MY71M2-2	0.55	0.75	220	50	2780	3.88	70	0.92	1.89	0.35	18	1.7
MY80S-2	0.75	1	220	50	2790	5.15	72	0.92	2.57	0.33	24	1.7
MY80L-2	1.1	1.5	220	50	2790	7.02	75	0.95	3.77	0.33	36	1.7
MY90S-2	1.5	2	220	50	2800	9.44	76	0.95	5.12	0.3	54	1.7
MY90L-2	2.2	3	220	50	2800	13.7	77	0.95	7.50	0.3	78	1.7

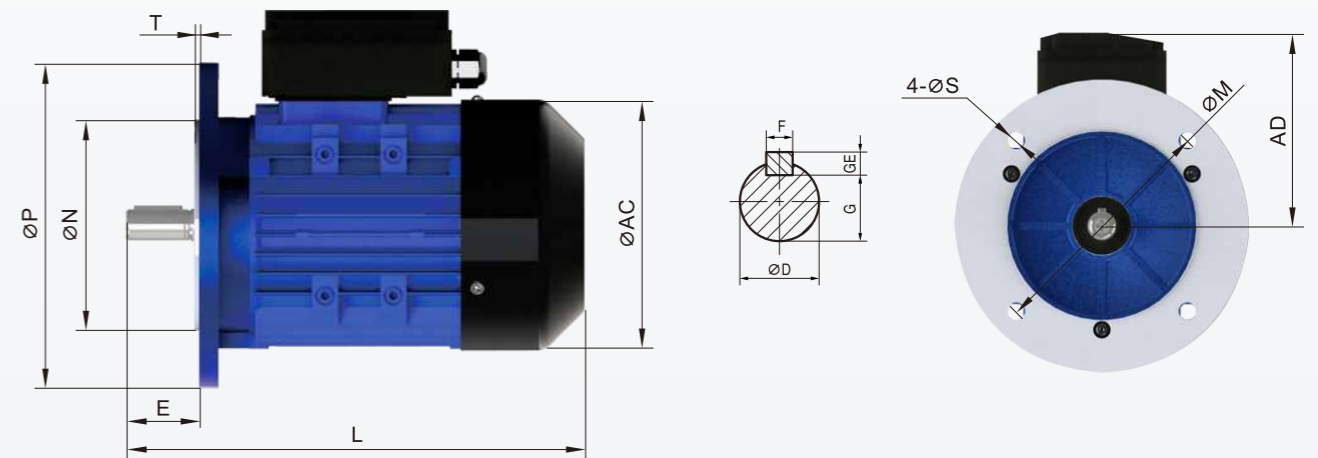
型号 Type	额定功率 Rated Output		电压 Voltage V	频率 Frequency Hz	转速 Speed r/min	额定电流 Rated Current A	效率 EFF %	功率因数 Power Factor cos φ	额定转矩 Rated Torque Nm	堵转转矩 额定转矩 $\frac{T_s}{T_n}$	堵转电流 Locked-Rotor Current A	最大转矩 额定转矩 $\frac{T_{max}}{T_n}$
	kW	HP										
MY63M1-2	0.12	0.18	220	50	1310	1.1	57	0.9	0.87	0.4	4.5	1.7
MY63M2-2	0.18	0.25	220	50	1310	1.5	59	0.9	1.31	0.35	6	1.7
MY71M1-2	0.25	0.3	220	50	1340	2.0	61	0.92	1.78	0.35	8	1.7
MY71M2-2	0.37	0.5	220	50	1340	2.9	62	0.92	2.64	0.35	12	1.7
MY80S-2	0.55	0.75	220	50	1400	4.2	64	0.92	3.75	0.35	18	1.7
MY80L-2	0.75	1	220	50	1410	5.4	68	0.92	5.08	0.32	24	1.7
MY90S-4	1.1	1.5	220	50	1420	7.4	71	0.95	7.40	0.32	36	1.7
MY90L-4	1.5	2	220	50	1420	9.8	73	0.95	10.1	0.3	54	1.7

IM B3



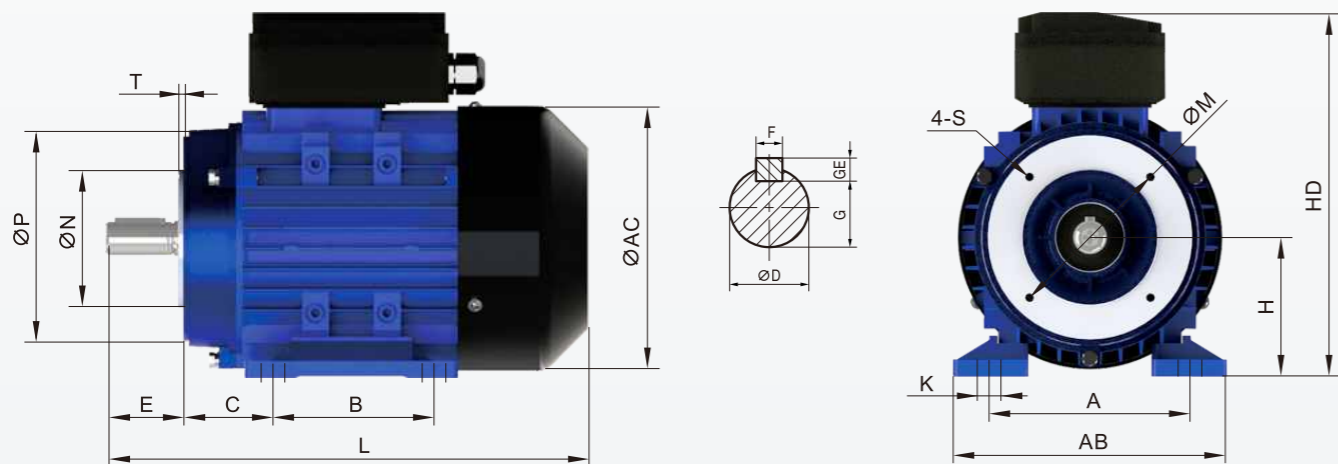
型号 Type	A	AB	AC	B	C	D	E	F	G	GE	H	HD	K	L
MY-63M	100	125	122	80	40	11	23	4	8.5	4	63	173	7	220
MY-71M	112	140	136	90	45	14	30	5	11	5	71	190	8	247
MY-80S	125	158	156	100	50	19	40	6	15.5	6	80	215	10	273
MY-80L	125	158	156	100	50	19	40	6	15.5	6	80	215	10	287
MY-90S	140	175	176	100	56	24	50	8	20	7	90	235	10	322
MY-90L	140	175	176	125	56	24	50	8	20	7	90	235	10	342

IM B5



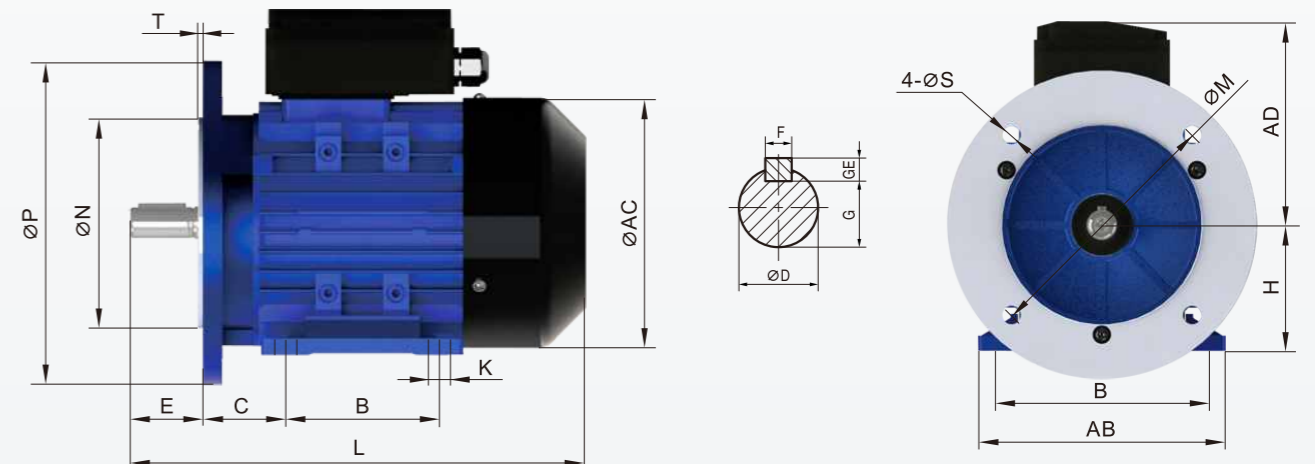
型号 Type	AC	AD	D	F	G	GE	L	M	N	P	S	T
MY-63M	122	110	11	4	8.5	4	220	115	95	140	10	3
MY-71M	136	119	14	5	11	5	247	130	110	160	10	3
MY-80S	156	135	19	6	15.5	6	273	165	130	200	12	3
MY-80L	156	135	19	6	15.5	6	287	165	130	200	12	3
MY-90S	176	145	24	8	20	7	322	165	130	200	12	3
MY-90L	176	145	24	8	20	7	342	165	130	200	12	3

IM B34



型号 Type	A	AB	AC	B	C	D	E	F	G	GE	H	HD	K	L	M	N	P	S	T
MY-63M	100	125	122	80	40	11	23	4	8.5	4	63	173	7	220	75	60	90	M5	3
MY-71M	112	140	136	90	45	14	30	5	11	5	71	190	8	247	85	70	105	M6	3
MY-80S	125	158	156	100	50	19	40	6	15.5	6	80	215	10	273	100	80	113	M6	3
MY-80L	125	158	156	100	50	19	40	6	15.5	6	80	215	10	287	100	80	113	M6	3
MY-90S	140	175	176	100	56	24	50	8	20	7	90	235	10	322	115	95	128	M8	3
MY-90L	140	175	176	125	56	24	50	8	20	7	90	235	10	342	115	95	128	M8	3

IM B35



型号 Type	A	AB	AC	AD	B	C	D	E	F	G	GE	H	K	L	M	N	P	S	T
MY-63M	100	125	122	110	80	40	11	23	4	8.5	4	63	7	220	115	95	140	10	3
MY-71M	112	140	136	119	90	45	14	30	5	11	5	71	8	247	130	110	160	10	3
MY-80S	125	158	156	135	100	50	19	40	6	15.5	6	80	10	273	165	130	200	12	3
MY-80L	125	158	156	135	100	50	19	40	6	15.5	6	80	10	287	165	130	200	12	3
MY-90S	140	175	176	145	100	56	24	50	8	20	7	90	10	322	165	130	200	12	3
MY-90L	140	175	176	145	125	56	24	50	8	20	7	90	10	342	165	130	200	12	3



Aluminum motor  
铝壳电机

## ML单相双值电容异步电机

## 产品简介：

铝机壳，铝前后盖，塑料接线盒，铝底脚，底脚可拆卸，可改变安装位置。接线盒带电源线保护螺套。电机重量轻，导热散热好，启动力大，运行性能稳定，外形美观，密封性好，抗氧化，耐腐蚀，可用于室内外潮湿环境。可增加过电流保护器或过热保护装置，增加电机的使用寿命和安全性。电机使用范围广泛，可作为大部分单相电源设备的动力源，如：空气压缩机，清洗机，水泵等。

## 使用条件：

环境空气温度：-15℃≤θ≤40℃

海拔：不超过1000米

频率：50Hz或者60Hz

接法：可改变接线方式来改变电机的旋转方向

工作方式：S1（连续工作制）

绝缘等级：B

防护等级：IP54或者IP55

冷却方式：IC411

ML SINGLE PHASE TWO-VALUE  
CAPACITOR ASYNCHRONOUS MOTOR

## Product introduction:

Aluminum housing, aluminum front and back cover, aluminum terminal box, aluminum feet which is removable. The installation position can be changed. Terminal box comes with power wire protection screw sleeve. Light-weight, high thermal conductivity, low noise, energy saving and beautiful appearance. Long service life, good sealing, oxidation resistance, corrosion resistance, which result in usage in humid environment no matter indoor or outdoor. Over current protector and overheat protector are optional, which can prolong the working life and increase safety of motor. The motor is widely used as the power source for fan, water pump, air compressor, injection molding machines and other equipments.

## Operating conditions:

Ambient air temperature: -15℃ ≤ θ ≤ 40℃

Altitude: ≤ 1000m

Rated frequency: 50Hz/60Hz

Wiring method: the rotation direction of motor can be changed by the wiring method

Working type: S1 (continuous working system)

Insulation class: B

Protection grade: IP54 or IP55

Cooling type: IC411

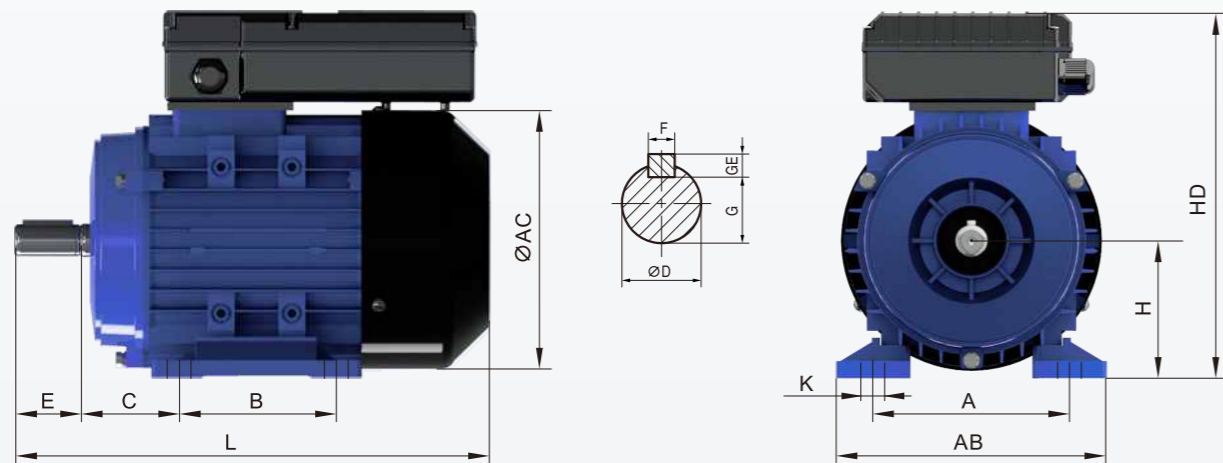
## ML单相双值电容异步电机

## TECHNICAL DATA OF ML SINGLE PHASE TWO-VALUE CAPACITOR ASYNCHRONOUS MOTOR

型号 Type	额定功率 Rated Output		电压 Voltage	频率 Frequency	转速 Speed	额定电流 Rated Current	效率 EFF	功率因数 Power Factor cos φ	额定转矩 Rated Torque Nm	堵转转矩 额定转矩 $\frac{T_s}{T_n}$	堵转电流 额定电流 $\frac{I_s}{I_n}$	最大转矩 额定转矩 $\frac{T_{max}}{T_n}$
	kW	HP										
ML80S-2	0.75	1	220	50	2790	4.88	72	0.97	2.57	1.8	5.5	1.8
ML80L-2	1.1	1.5	220	50	2790	2.84	74	0.95	3.77	1.8	5.5	1.8
ML90S-2	1.5	2	220	50	2800	9.47	75	0.96	5.12	1.8	5.5	1.8
ML90L-2	2.2	3	220	50	2800	13.6	76	0.97	7.50	1.8	5.5	1.8
ML100L-2	3	4	220	50	2820	18.4	78	0.95	10.2	1.8	6	1.8

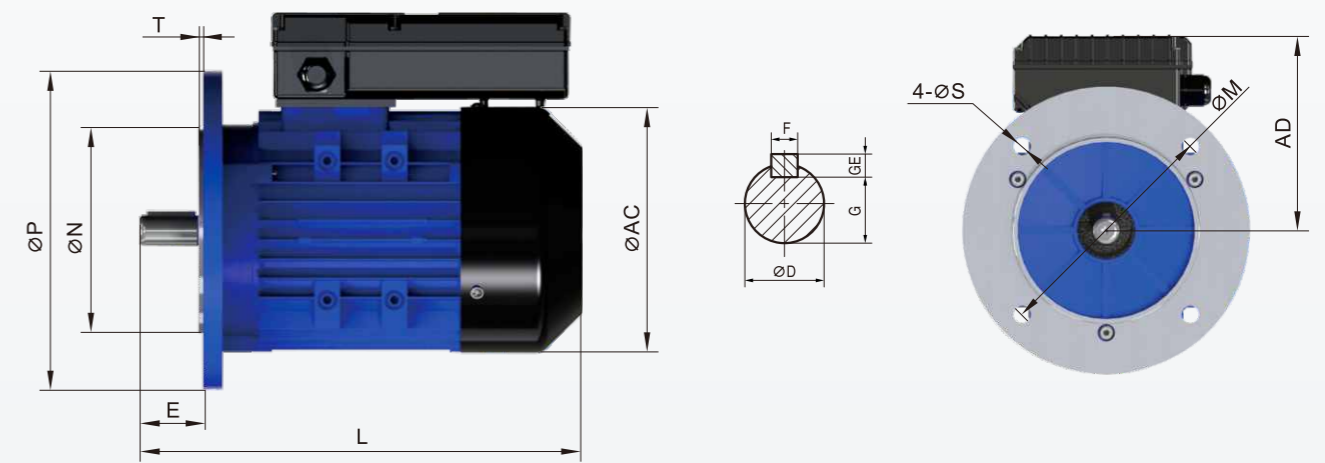
型号 Type	额定功率 Rated Output		电压 Voltage	频率 Frequency	转速 Speed	额定电流 Rated Current	效率 EFF	功率因数 Power Factor cos φ	额定转矩 Rated Torque Nm	堵转转矩 额定转矩 $\frac{T_s}{T_n}$	堵转电流 额定电流 $\frac{I_s}{I_n}$	最大转矩 额定转矩 $\frac{T_{max}}{T_n}$
	kW	HP										
ML80S-4	0.55	0.75	220	50	1380	3.87	68	0.95	3.81	1.7	5	1.7
ML80L-4	0.75	1	220	50	1380	5.07	70	0.96	5.19	1.7	5	1.7
ML90S-4	1.1	1.5	220	50	1390	7.41	71	0.95	7.56	1.7	5	1.7
ML90L-4	1.5	2	220	50	1390	9.63	73	0.97	10.3	1.7	5	1.7
ML100L1-4	2.2	3	220	50	1400	13.9	75	0.96	15.0	1.7	5	1.7

IM B3



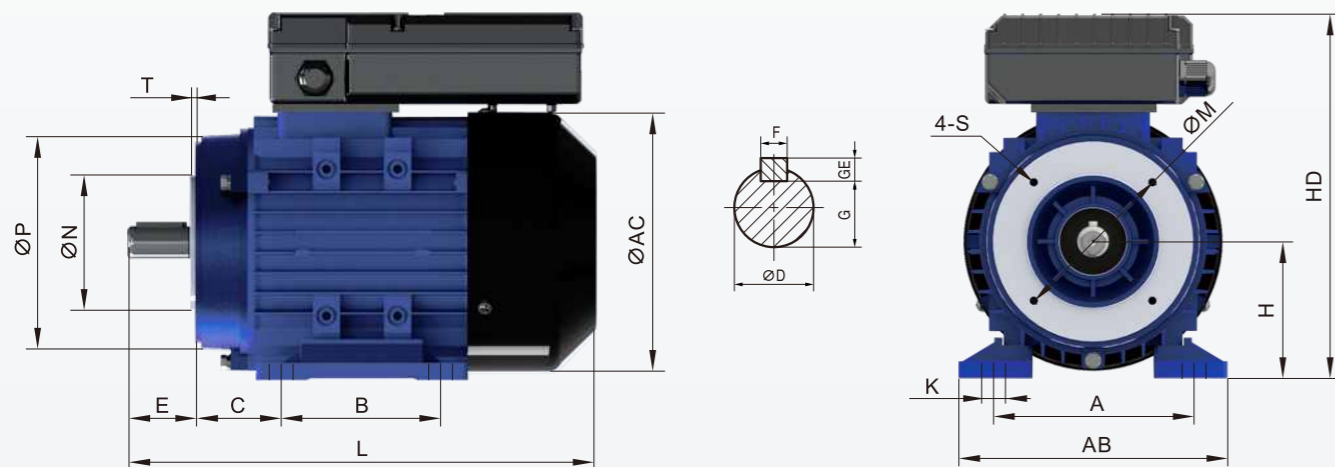
型号 Type	A	AB	AC	B	C	D	E	F	G	GE	H	HD	K	L
ML-80S	125	158	156	100	50	19	40	6	15.5	6	80	220	10	284
ML-80L	125	158	156	100	50	19	40	6	15.5	6	80	220	10	305
ML-90S	140	175	176	100	56	24	50	8	20	7	90	240	10	315
ML-90L	140	175	176	125	56	24	50	8	20	7	90	240	10	335
ML-100L	160	200	197	140	63	28	60	8	24	7	100	265	12	390

IM B5



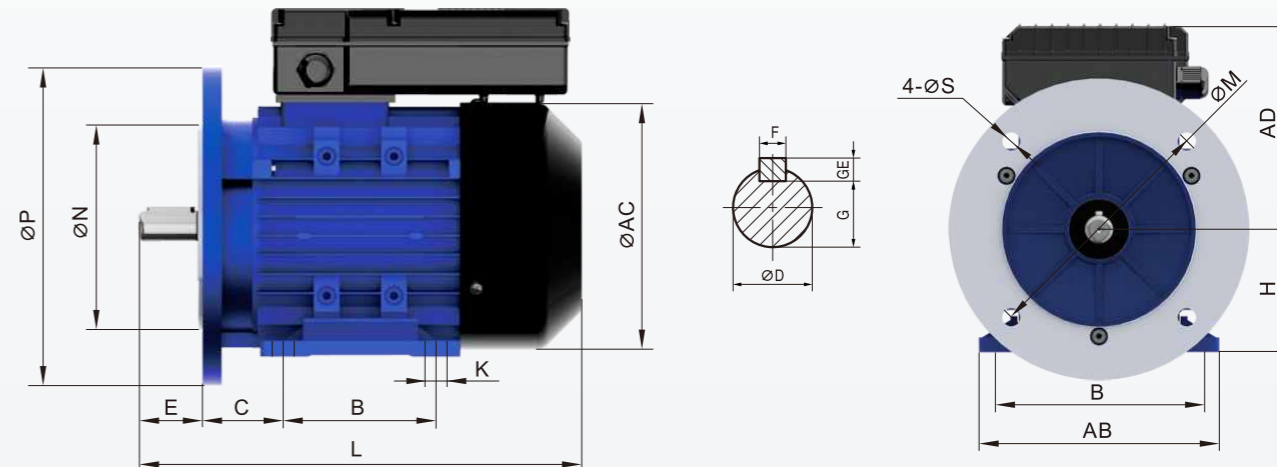
型号 Type	AC	AD	D	F	G	GE	L	M	N	P	S	T
ML-80S	156	140	19	6	15.5	6	284	165	130	200	12	3
ML-80L	156	140	19	6	15.5	6	305	165	130	200	12	3
ML-90S	176	150	24	8	20	7	315	165	130	200	12	3
ML-90L	176	150	24	8	20	7	335	165	130	200	12	3
ML-100L	197	165	28	8	24	7	390	215	180	250	15	4

IM B34



型号 Type	A	AB	AC	B	C	D	E	F	G	GE	H	HD	K	L	M	N	P	S	T
ML-80S	125	158	156	100	50	19	40	6	15.5	6	80	220	10	284	100	80	113	M6	3
ML-80L	125	158	156	100	50	19	40	6	15.5	6	80	220	10	305	100	80	113	M6	3
ML-90S	140	175	176	100	56	24	50	8	20	7	90	240	10	315	115	95	128	M8	3
ML-90L	140	175	176	125	56	24	50	8	20	7	90	240	10	335	115	95	128	M8	3
ML-100L	160	200	196	140	63	28	60	8	24	7	100	265	12	390	130	110	152	M8	4

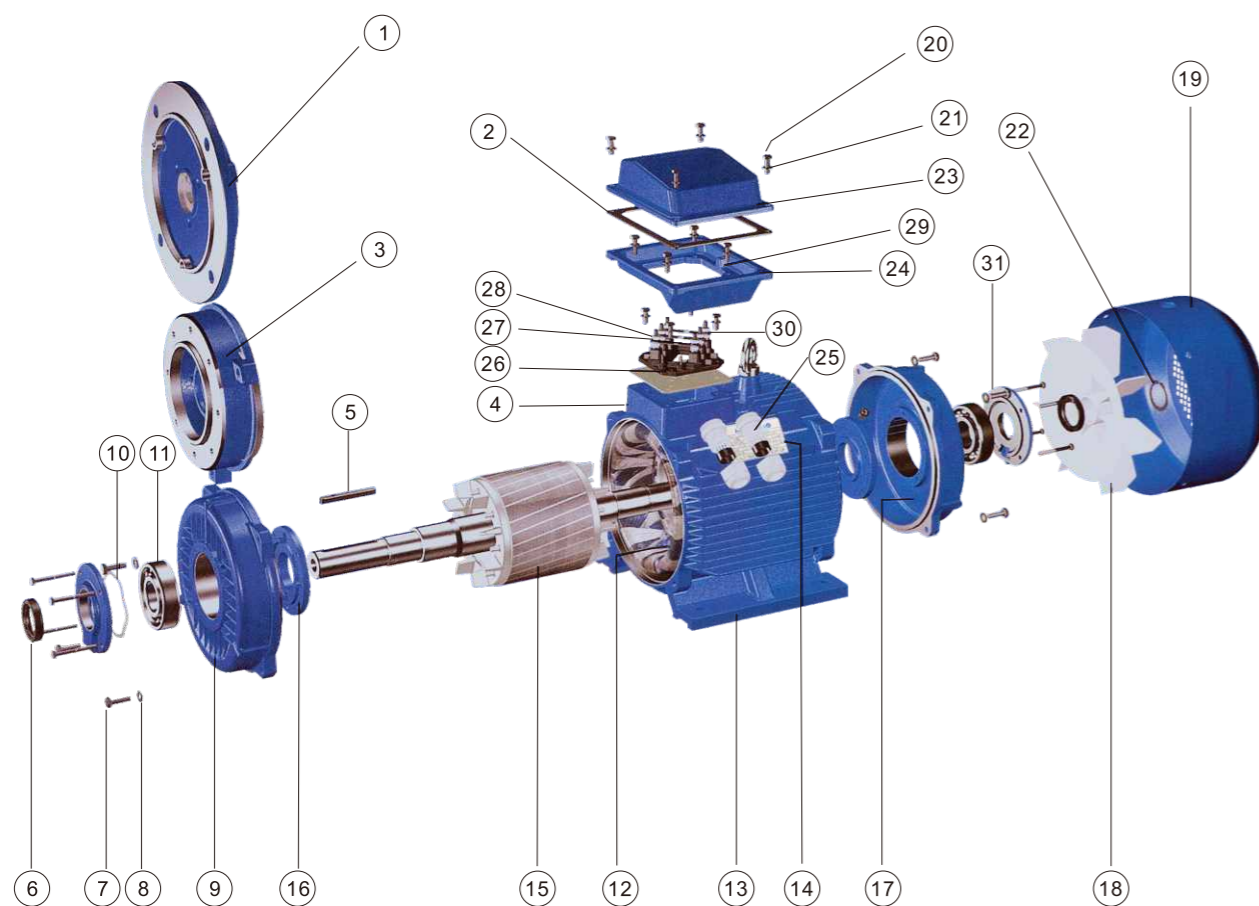
IM B35



型号 Type	A	AB	AC	AD	B	C	D	E	F	G	GE	H	K	L	M	N	P	S	T
ML-80S	125	158	156	140	100	50	19	40	6	15.5	6	80	10	284	165	130	200	12	3
ML-80L	125	158	156	140	100	50	19	40	6	15.5	6	80	10	305	165	130	200	12	3
ML-90S	140	175	176	150	100	56	24	50	8	20	7	90	10	315	165	130	200	12	3
ML-90L	140	175	176	150	125	56	24	50	8	20	7	90	10	335	165	130	200	12	3
ML-100L	160	200	196	165	140	63	28	60	8	24	7	100	12	390	215	180	250	15	4

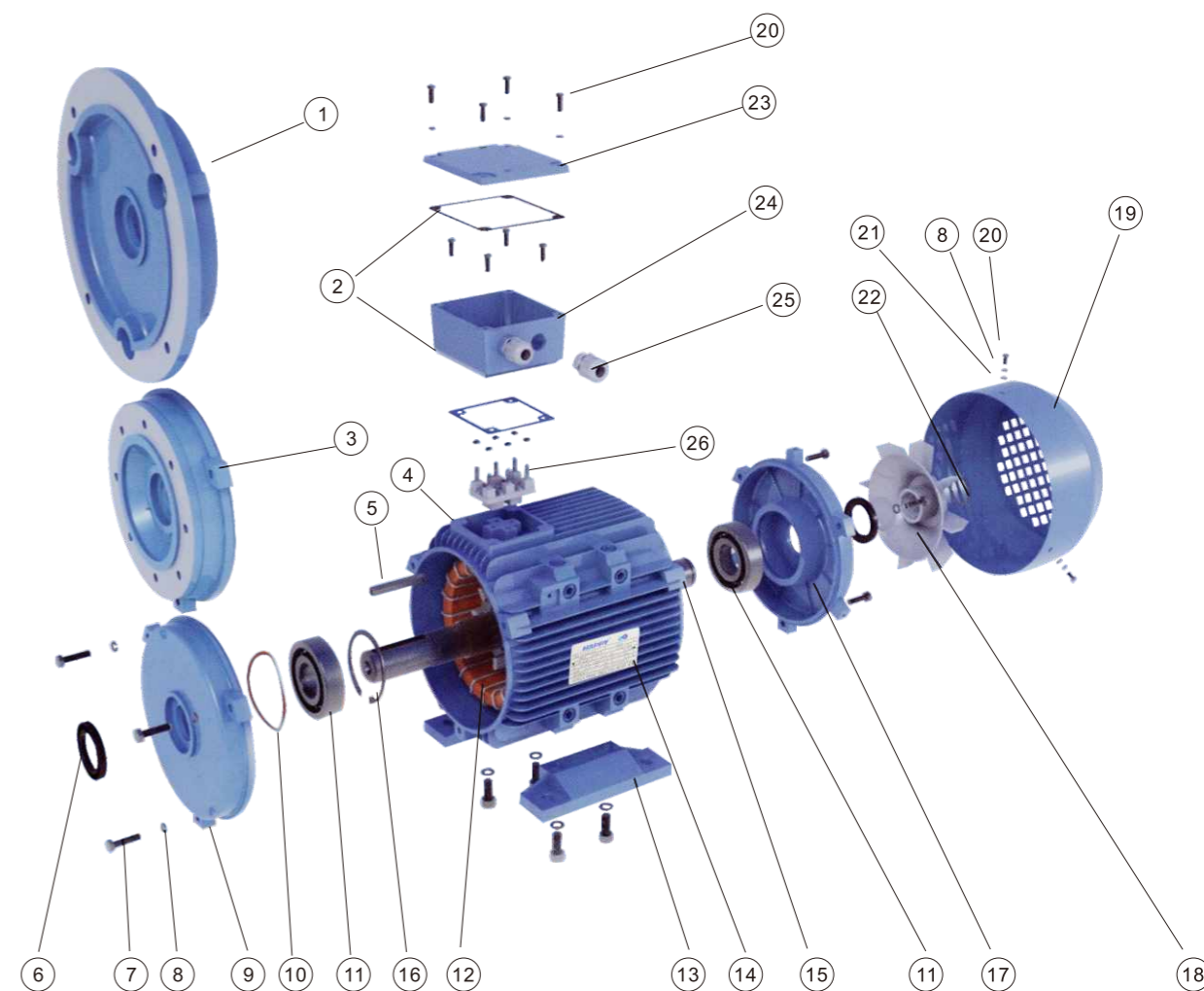


### Three phase motor exploded view



- 1.B5 Flange (B5 法兰)
- 2.Gasket (密封垫)
- 3.B14 Flange (B14 法兰)
- 4.Frame (机壳)
- 5.Key (平键)
- 6.(O Ring)Oil Seal (骨架油封)
- 7.Bolt (螺栓)
- 8.Spring washer (弹簧垫圈)
- 9.Front endshield (前端盖)
- 10.Wave washer (波浪垫圈)
- 11.Bearing (轴承)
- 12.Stator (定子)
- 13.Feet (底脚)
- 14.Nameplate (铭牌)
- 15.Rotor (转子)
- 16.Inner bearing cap (轴承内盖)
- 17.Rear endshield (后端盖)
- 18.Fan (风叶)
- 19.Fan cover (风罩)
- 20.Screw (螺丝)
- 21.Washer (平垫圈)
- 22.Fan clamp (风叶卡簧)

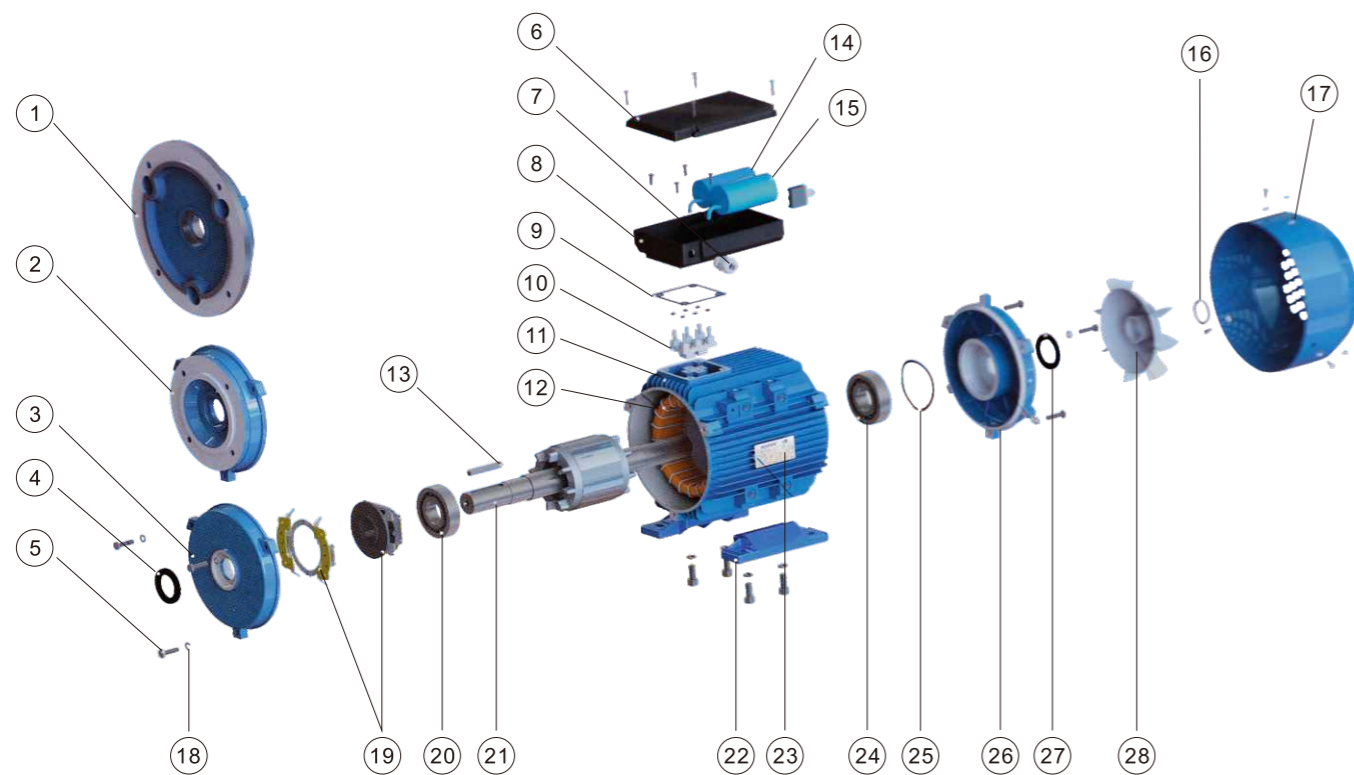
- 23.Terminal box lid (接线盒盖)
- 24.Terminal box base (接线盒座)
- 25.Cable gland (电缆线护套)
- 26.Terminal board (接线板)
- 27.Brass lug (铜连接片)
- 28.Brass nut (铜螺母)
- 29.Earth mark (接地标识)
- 30.Brass washer (铜平垫)
- 31.Outer bearing cap (轴承外盖)



- 1.B5 Flange (B5 法兰)
- 2.Gasket (密封垫)
- 3.B14 Flange (B14 法兰)
- 4.Frame (机壳)
- 5.Key (平键)
- 6.(O Ring)Oil Seal (骨架油封)
- 7.Bolt (螺栓)
- 8.Spring washer (弹簧垫圈)
- 9.Front endshield (前端盖)
- 10.Wave washer (波浪垫圈)
- 11.Bearing (轴承)
- 12.Stator (定子)
- 13.Feet (底脚)
- 14.Nameplate (铭牌)
- 15.Rotor (转子)
- 16.Circlip (孔用挡圈)
- 17.Rear endshield (后端盖)
- 18.Fan (风叶)
- 19.Fan cover (风罩)
- 20.Screw (螺丝)
- 21.Washer (平垫圈)
- 22.Fan clamp (风叶卡簧)

- 23.Terminal box lid (接线盒盖)
- 24.Terminal box base (接线盒座)
- 25.Cable gland (电缆线护套)
- 26.Terminal board (接线板)

### Single phase motor exploded view



- 1.B5 Flange (B5 法兰)
- 2.B14 Flange (B14 法兰)
- 3.Front endshield (前端盖)
- 4.(O Ring)Oil Seal (骨架油封)
- 5.Bolt (螺栓)
- 6.Terminal box lid (接线盒盖)
- 7.Cable gland (电缆线护套)
- 8.Cable gland (电缆线护套)
- 9.Gasket (密封垫)
- 10.Terminal board (接线板)
- 11.Frame (机壳)

- 12.Stator (定子)
- 13.Key (平键)
- 14.Running capacitor (运转电容)
- 15.Starting capacitor (启动电容)
- 16.Fan clamp (风叶卡簧)
- 17.Fan cover (风罩)
- 18.Spring washer (弹簧垫圈)
- 19.Centrifugal switch (离心开关)
- 20.Bearing (轴承)
- 21.Rotor (转子)
- 22.Feet (底脚)

- 23.Nameplate (铭牌)
- 24.Bearing (轴承)
- 25.Wave washer (波浪垫圈)
- 26.Rear endshield (后端盖)
- 27.(O Ring)Oil Seal (骨架油封)
- 28.Fan (风叶)



